



# Cat® Demolition & Sorting Grapples

for Wheeled Excavators

## Technical Specifications

Not all are available in all regions. Consult your Cat® dealer for specific configurations available in your region.

### Table of Contents

<b>Specifications</b> .....	<b>2</b>			
<b>Dimensions</b> .....	<b>3</b>			
<b>Hydraulic Specifications</b> .....	<b>4</b>			
<b>Matching – Wheeled Excavators</b> .....	<b>5</b>			
M314F .....5	M315 .....27	M317F .....46	M319 .....85	M322D2.....105
M314 .....15	M316F .....29	M317 .....49	M320D2.....87	M322F .....110
M315D2.....20	M316 .....42	M318F .....50	M320F .....89	M322 .....114
M315F .....23	M317D2.....44	M318 .....66	M320 .....94	

# Demolition & Sorting Grapples for Wheeled Excavators

## Specifications

Model	Part Number	Shell Type	Recommended Carrier Weight, Minimum	Recommended Carrier Weight, Maximum	Capacity		Weight		Closing Force		Cycle Time, open	Cycle Time, close
			metric tons	metric tons	L	yd <sup>3</sup>	kg	lb	kN	st	seconds	seconds
G212 GC	587-8632	Perforated	10	15	400	0.52	597	1316	36	580	1.1	2.0
G212 GC	587-8643	Perforated	10	15	400	0.52	633	1396	36	580	1.1	2.0
G212 GC	587-8639	Perforated	10	15	400	0.52	641	1413	36	580	1.1	2.0
G213 GC	587-8648	Perforated	12	16	450	0.59	665	1466	36	580	1.1	2.0
G213 GC	587-8655	Perforated	12	12	450	0.59	684	1508	36	580	1.1	2.0
G213 GC	587-8652	Perforated	12	12	450	0.59	692	1526	36	580	1.1	2.0
G217 GC	587-8659	Perforated	15	15	600	0.78	895	1973	52	837	1.2	2.1
G217 GC	587-8658	Perforated	15	15	600	0.78	902	1989	52	837	1.2	2.1
G217 GC	587-8657	Perforated	15	19	600	0.78	924	2037	52	837	1.2	2.1
G312 GC	587-8713	Perforated	11	15	400	0.52	814	1795	36	580	1.1	2.0
G312 GC	587-8715	Perforated	11	15	400	0.52	865	1907	36	580	1.1	2.0
G313 GC	587-8718	Perforated	12	17	450	0.59	845	1863	36	580	1.1	2.0
G313 GC	587-8719	Perforated	12	17	450	0.59	895	1973	36	580	1.1	2.0
G314	587-8963	Skeleton	12	18	375	0.49	1060	2337	36	580	1.1	2.1
G317 GC	587-8720	Perforated	17	25	600	0.78	1142	2518	52	837	1.2	2.1
G317 GC	587-8721	Perforated	17	25	600	0.78	1200	2646	52	837	1.2	2.1
G318	587-8965	Skeleton	18	25	550	0.72	1310	2888	52	837	1.1	2.1
G318	587-8966	Perforated	18	25	600	0.78	1308	2884	52	837	1.2	2.1
G318	595-1393	Closed	18	25	600	0.78	1323	2917	52	837	1.2	2.1
G318 WH	587-8970	Closed	20	25	800	1.05	1447	3190	47	757	1.2	2.1
G318 WH	587-8975	Perforated	20	25	800	1.05	1447	3190	47	757	1.2	2.1
G318 WH	587-8976	Perforated	20	25	1100	1.44	1619	3569	47	757	1.2	2.1
G324	587-8977	Skeleton	23	30	750	0.98	1787	3940	66	1063	1.3	2.2
G324	587-8978	Perforated	23	30	800	1.05	1732	3818	66	1063	1.3	2.2
G324 WH	587-8985	Perforated	23	30	1500	1.96	2004	4418	53	853	1.3	2.2
G324 WH	587-8986	Perforated	23	30	1800	2.35	2104	4639	53	853	1.3	2.2
G324 WH	587-8988	Perforated	23	30	2000	2.62	2205	4861	53	853	1.3	2.2
G332	587-8991	Skeleton	30	40	850	1.11	2073	4570	66	1063	1.3	2.2
G332	587-8994	Perforated	30	40	900	1.18	2038	4493	66	1063	1.3	2.2
G345	608-0756	Skeleton	30	65	1000	1.31	2421	5337	88	1417	1.1	2.1



Skeleton Shell



Perforated Shell

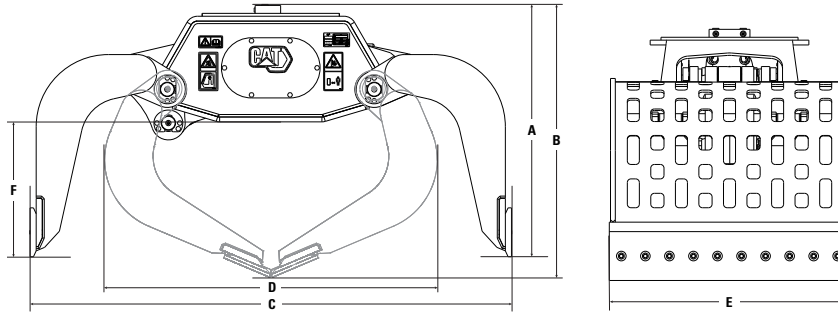


Closed Shell

# Demolition & Sorting Grapples for Wheeled Excavators

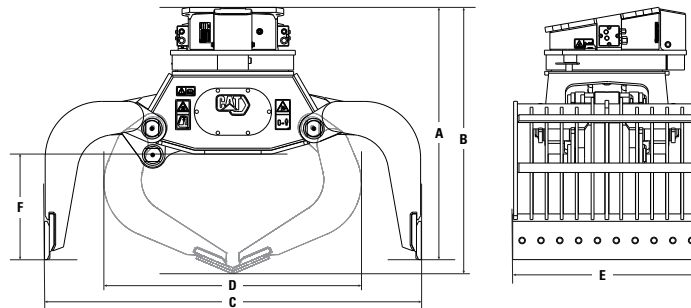
## Dimensions

G200 Series Grapples



Model	Part Number	(A) Height, open		(B) Height, closed		(C) Spread, open		(D) Spread, open		(E) Shell Width		(F) Height	
		mm	in	mm	in	mm	in	mm	in	mm	in	mm	in
G212 GC	587-8632	896	35.3	980	38.6	1788	70.4	1228	48.3	850	33.5	514	20.2
G212 GC	587-8643	1082	42.6	1171	46.1	1800	70.9	1228	48.3	850	33.5	514	20.2
G212 GC	587-8639	1082	42.6	1171	46.1	1800	70.9	1228	48.3	850	33.5	514	20.2
G213 GC	587-8648	896	35.3	980	38.6	1800	70.9	1228	48.3	950	37.4	514	20.2
G213 GC	587-8655	1082	42.6	1171	46.1	1800	70.9	1228	48.3	950	37.4	514	20.2
G213 GC	587-8652	1082	42.6	1171	46.1	1800	70.9	1228	48.3	950	37.4	514	20.2
G217 GC	587-8659	1168	46.0	1265	49.8	2000	78.7	1360	53.5	1000	39.4	565	22.2
G217 GC	587-8658	1168	46.0	1265	49.8	2000	78.7	1360	53.5	1000	39.4	565	22.2
G217 GC	587-8657	1000	39.4	1097	43.2	2000	78.7	1360	53.5	1000	39.4	560	22.0

G300 Series Grapples



Model	Part Number	(A) Height, open		(B) Height, closed		(C) Spread, open		(D) Spread, closed		(E) Shell Width		(F) Height	
		mm	in	mm	in	mm	in	mm	in	mm	in	mm	in
G312 GC	587-8713	1223	48.1	1315	51.8	1788	70.4	1227	48.3	850	33.5	513	20.2
G312 GC	587-8715	1272	50.1	1365	53.7	1788	70.4	1227	48.3	850	33.5	513	20.2
G313 GC	587-8718	1223	48.1	1315	51.8	1800	70.9	1227	48.3	950	37.4	513	20.2
G313 GC	587-8719	1272	50.1	1365	53.7	1800	70.9	1227	48.3	950	37.4	513	20.2
G314	587-8963	1237	48.7	1328	52.3	1800	70.9	1225	48.2	850	33.5	515	20.3
G317 GC	587-8720	1321	52.0	1422	56.0	2000	78.7	1360	53.5	1000	39.4	560	22.0
G317 GC	587-8721	1376	54.2	1477	58.1	2000	78.7	1360	53.5	1000	39.4	560	22.0
G318	587-8965	1340	52.8	1440	56.7	2000	78.7	1375	54.1	1000	39.4	560	22.0
G318	587-8966	1340	52.8	1440	56.7	2000	78.7	1360	53.5	1000	39.4	560	22.0
G318	595-1393	1340	52.8	1440	56.7	2000	78.7	1360	53.5	1000	39.4	560	22.0
G318 WH	587-8970	1386	54.6	1550	61.0	2200	86.6	1408	55.4	1100	43.3	607	23.9
G318 WH	587-8975	1386	54.6	1550	61.0	2200	86.6	1408	55.4	1100	43.3	607	23.9
G318 WH	587-8976	1386	54.6	1550	61.0	2200	86.6	1408	55.4	1500	59.1	607	23.9
G324	587-8977	1484	58.4	1584	62.4	2200	86.6	1540	60.6	1100	43.3	623	24.5
G324	587-8978	1484	58.4	1584	62.4	2200	86.6	1509	59.4	1100	43.3	623	24.5
G324 WH	587-8985	1574	62.0	1844	72.6	2700	106.3	1690	66.5	1350	53.1	714	28.1
G324 WH	587-8986	1574	62.0	1844	72.6	2700	106.3	1690	66.5	1550	61.0	714	28.1
G324 WH	587-8988	1574	62.0	1844	72.6	2700	106.3	1690	66.5	1750	68.9	714	28.1
G332	587-8991	1484	58.4	1584	62.4	2200	86.6	1540	60.6	1350	53.1	618	24.3
G332	587-8994	1484	58.4	1584	62.4	2200	86.6	1540	60.6	1350	53.1	618	24.3
G345	608-0756	1286	50.6	1407	55.4	2350	92.5	1586	62.4	1350	53.1	655	25.8

# Demolition & Sorting Grapples for Wheeled Excavators

## Hydraulic Specifications

Model	Part Number	Operating Oil Flow, Open/Close		Maximum Operating Pressure, Open/Close		Operating Oil Flow, Rotation		Maximum Operating Pressure, Rotation*		Recommended Operating Pressure, Rotation	
		L	gpm	kpa	psi	L	gpm	kpa	psi	kpa	psi
G212 GC	587-8632	60	16	35000	5075						
G212 GC	587-8643	60	16	35000	5075						
G212 GC	587-8639	60	16	35000	5075						
G213 GC	587-8648	60	16	35000	5075						
G213 GC	587-8655	60	16	35000	5075						
G213 GC	587-8652	60	16	35000	5075						
G217 GC	587-8659	90	24	35000	5075						
G217 GC	587-8658	90	24	35000	5075						
G217 GC	587-8657	90	24	35000	5075						
G312 GC	587-8713	60	16	35000	5075	40	10.4	22000	3190	14000	2030
G312 GC	587-8715	60	16	35000	5075	40	10.4	22000	3190	14000	2030
G313 GC	587-8718	60	16	35000	5075	40	10.4	22000	3190	14000	2030
G313 GC	587-8719	60	16	35000	5075	40	10.4	22000	3190	14000	2030
G314	587-8963	60	16	35000	5075	40	10.4	22000	3190	14000	2030
G317 GC	587-8720	90	24	35000	5075	40	10.4	22000	3190	14000	2030
G317 GC	587-8721	90	24	35000	5075	40	10.4	22000	3190	14000	2030
G318	587-8965	90	24	35000	5075	40	10.4	22000	3190	14000	2030
G318	587-8966	90	24	35000	5075	40	10.4	22000	3190	14000	2030
G318	595-1393	90	24	35000	5075	40	10.4	22000	3190	14000	2030
G318 WH	587-8970	90	24	35000	5075	40	10.4	22000	3190	14000	2030
G318 WH	587-8975	90	24	35000	5075	40	10.4	22000	3190	14000	2030
G318 WH	587-8976	90	24	35000	5075	40	10.4	22000	3190	14000	2030
G324	587-8977	120	32	35000	5075	40	10.4	22000	3190	14000	2030
G324	587-8978	120	32	35000	5075	40	10.4	22000	3190	14000	2030
G324 WH	587-8985	120	32	35000	5075	40	10.4	22000	3190	14000	2030
G324 WH	587-8986	120	32	35000	5075	40	10.4	22000	3190	14000	2030
G324 WH	587-8988	120	32	35000	5075	40	10.4	22000	3190	14000	2030
G332	587-8991	120	32	35000	5075	40	10.4	22000	3190	14000	2030
G332	587-8994	120	32	35000	5075	40	10.4	22000	3190	14000	2030
G345	608-0756	160	42	35000	5075	40	10.4	22000	3190	14000	2030

\* This setting may be used in the case of a cab riser.

# Demolition & Sorting Grapples for Wheeled Excavators

## Matching – Wheeled Excavators

Match       \* Working range front only       No Match

### M314F Pin-on

Undercarriage	Front and Rear Outriggers							
Counterweight	2.8 mt							
Boom Type	1 PC (short)			1 PC			VA	
Stick Length	2.00 m (6'7")	2.30 m (7'7")	2.60 m (8'6")	2.00 m (6'7")	2.30 m (7'7")	2.60 m (8'6")	2.00 m (6'7")	2.30 m (7'7")
G312 GC	✓	✓	✓	✓	✓	✓	✓	✓
G313 GC	✓	✓	✓	✓	✓	✓	✓	✓
G314	✓	✓	✓	✓	✓	✓	✓	✓

### Pin-on, continued

Undercarriage	Front and Rear Outriggers							
Counterweight	2.8 mt	3.3 mt						
Boom Type	VA	1 PC (short)			1 PC			VA
Stick Length	2.60 m (8'6")	2.00 m (6'7")	2.30 m (7'7")	2.60 m (8'6")	2.00 m (6'7")	2.30 m (7'7")	2.60 m (8'6")	2.00 m (6'7")
G312 GC	✓	✓	✓	✓	✓	✓	✓	✓
G313 GC	✓	✓	✓	✓	✓	✓	✓	✓
G314	✓	✓	✓	✓	✓	✓	✓	✓

### Pin-on, continued

Undercarriage	Front and Rear Outriggers			Front Blade; Rear Outriggers				
Counterweight	3.3 mt			2.8 mt				
Boom Type	VA		1 PC (short)		1 PC			
Stick Length	2.30 m (7'7")	2.60 m (8'6")	2.00 m (6'7")	2.30 m (7'7")	2.60 m (8'6")	2.00 m (6'7")	2.30 m (7'7")	2.60 m (8'6")
G312 GC	✓	✓	✓	✓	✓	✓	✓	✓
G313 GC	✓	✓	✓	✓	✓	✓	✓	✓
G314	✓	✓	✓	✓	✓	✓	✓	✓

### Pin-on, continued

Undercarriage	Front Blade; Rear Outriggers							
Counterweight	2.8 mt			3.3 mt				
Boom Type	VA			1 PC (short)			1 PC	
Stick Length	2.00 m (6'7")	2.30 m (7'7")	2.60 m (8'6")	2.00 m (6'7")	2.30 m (7'7")	2.60 m (8'6")	2.00 m (6'7")	2.30 m (7'7")
G312 GC	✓	✓	✓	✓	✓	✓	✓	✓
G313 GC	✓	✓	✓	✓	✓	✓	✓	✓
G314	✓	✓	✓	✓	✓	✓	✓	✓

### Pin-on, continued

Undercarriage	Front Blade; Rear Outriggers				Rear Blade			
Counterweight	3.3 mt				2.8 mt			
Boom Type	1 PC	VA		1 PC (short)		1 PC		
Stick Length	2.60 m (8'6")	2.00 m (6'7")	2.30 m (7'7")	2.60 m (8'6")	2.00 m (6'7")	2.30 m (7'7")	2.60 m (8'6")	2.00 m (6'7")
G312 GC	✓	✓	✓	✓	✓	✓	✓	✓
G313 GC	✓	✓	✓	✓	✓	✓	✓	✓
G314	✓	✓	✓	✓	✓	✓	✓	✓

(continued on next page)

# Demolition & Sorting Grapples for Wheeled Excavators

## Matching – Wheeled Excavators (continued)

Match       \* Working range front only       No Match

### M314F, continued Pin-on, continued

Undercarriage	Rear Blade							
	2.8 mt				3.3 mt			
	1 PC		VA		VA	1 PC (short)		1 PC
Counterweight	2.30 m (7'7")	2.60 m (8'6")	2.00 m (6'7")	2.30 m (7'7")	2.60 m (8'6")	2.00 m (6'7")	2.30 m (7'7")	2.00 m (6'7")
Boom Type	1 PC		VA		VA	1 PC (short)		1 PC
Stick Length	2.30 m (7'7")	2.60 m (8'6")	2.00 m (6'7")	2.30 m (7'7")	2.60 m (8'6")	2.00 m (6'7")	2.30 m (7'7")	2.00 m (6'7")
G312 GC	✓	✓	✓	✓*	✓	✓	✓	✓
G313 GC	✓	✓*	✓*		✓	✓	✓	✓
G314	✓*				✓	✓	✓	✓

### Pin-on, continued

Undercarriage	Rear Blade				
	3.3 mt				
	1 PC		VA		
Counterweight	2.30 m (7'7")	2.60 m (8'6")	2.00 m (6'7")	2.30 m (7'7")	2.60 m (8'6")
Boom Type	1 PC		VA		
Stick Length	2.30 m (7'7")	2.60 m (8'6")	2.00 m (6'7")	2.30 m (7'7")	2.60 m (8'6")
G312 GC	✓	✓	✓	✓	✓
G313 GC	✓	✓	✓	✓	✓*
G314	✓	✓	✓	✓*	

### Pin Grabber Coupler

Undercarriage	Front and Rear Outriggers							
	2.8 mt							
	1 PC (short)			1 PC			VA	
Counterweight	2.00 m (6'7")	2.30 m (7'7")	2.60 m (8'6")	2.00 m (6'7")	2.30 m (7'7")	2.60 m (8'6")	2.30 m (7'7")	2.60 m (8'6")
Boom Type	1 PC (short)			1 PC			VA	
Stick Length	2.00 m (6'7")	2.30 m (7'7")	2.60 m (8'6")	2.00 m (6'7")	2.30 m (7'7")	2.60 m (8'6")	2.30 m (7'7")	2.60 m (8'6")
G312 GC	✓	✓	✓	✓	✓	✓	✓	✓
G313 GC	✓	✓		✓	✓			
G314	✓	✓		✓	✓			

### Pin Grabber Coupler, continued

Undercarriage	Front and Rear Outriggers							
	3.3 mt							
	1 PC (short)			1 PC			VA	
Counterweight	2.00 m (6'7")	2.30 m (7'7")	2.60 m (8'6")	2.00 m (6'7")	2.30 m (7'7")	2.60 m (8'6")	2.30 m (7'7")	2.60 m (8'6")
Boom Type	1 PC (short)			1 PC			VA	
Stick Length	2.00 m (6'7")	2.30 m (7'7")	2.60 m (8'6")	2.00 m (6'7")	2.30 m (7'7")	2.60 m (8'6")	2.30 m (7'7")	2.60 m (8'6")
G312 GC	✓	✓	✓	✓	✓	✓	✓	✓
G313 GC	✓	✓		✓	✓			
G314	✓	✓		✓	✓			

### Pin Grabber Coupler, continued

Undercarriage	Front Blade; Rear Outriggers							
	2.8 mt							
	1 PC (short)			1 PC			VA	
Counterweight	2.00 m (6'7")	2.30 m (7'7")	2.60 m (8'6")	2.00 m (6'7")	2.30 m (7'7")	2.60 m (8'6")	2.30 m (7'7")	2.60 m (8'6")
Boom Type	1 PC (short)			1 PC			VA	
Stick Length	2.00 m (6'7")	2.30 m (7'7")	2.60 m (8'6")	2.00 m (6'7")	2.30 m (7'7")	2.60 m (8'6")	2.30 m (7'7")	2.60 m (8'6")
G312 GC	✓	✓	✓	✓	✓	✓	✓	✓
G313 GC	✓	✓		✓	✓			
G314	✓	✓		✓	✓			

(continued on next page)

# Demolition & Sorting Grapples for Wheeled Excavators

## Matching – Wheeled Excavators (continued)

Match       \* Working range front only       No Match

### M314F, continued

#### Pin Grabber Coupler, continued

Undercarriage	Front Blade; Rear Outriggers							
Counterweight	3.3 mt							
Boom Type	1 PC (short)			1 PC			VA	
Stick Length	2.00 m (6'7")	2.30 m (7'7")	2.60 m (8'6")	2.00 m (6'7")	2.30 m (7'7")	2.60 m (8'6")	2.30 m (7'7")	2.60 m (8'6")
G312 GC	✓	✓	✓	✓	✓	✓	✓	✓
G313 GC	✓	✓		✓	✓			
G314	✓	✓		✓	✓			

#### Pin Grabber Coupler, continued

Undercarriage	Rear Blade							
Counterweight	2.8 mt			3.3 mt				
Boom Type	1 PC (short)		1 PC	1 PC (short)			1 PC	
Stick Length	2.00 m (6'7")	2.30 m (7'7")	2.00 m (6'7")	2.00 m (6'7")	2.30 m (7'7")	2.60 m (8'6")	2.00 m (6'7")	2.30 m (7'7")
G312 GC	✓	✓*	✓*	✓	✓	✓	✓	✓
G313 GC	✓*			✓	✓		✓*	
G314				✓	✓*			

#### CW-20s Dedicated Coupler

Undercarriage	Front and Rear Outriggers							
Counterweight	2.8 mt							
Boom Type	1 PC (short)			1 PC			VA	
Stick Length	2.00 m (6'7")	2.30 m (7'7")	2.60 m (8'6")	2.00 m (6'7")	2.30 m (7'7")	2.60 m (8'6")	2.30 m (7'7")	2.60 m (8'6")
G312 GC	✓	✓	✓	✓	✓	✓	✓	✓
G313 GC	✓	✓	✓	✓	✓	✓		
G314	✓	✓	✓	✓	✓			

#### CW-20s Dedicated Coupler, continued

Undercarriage	Front and Rear Outriggers							
Counterweight	3.3 mt							
Boom Type	1 PC (short)			1 PC			VA	
Stick Length	2.00 m (6'7")	2.30 m (7'7")	2.60 m (8'6")	2.00 m (6'7")	2.30 m (7'7")	2.60 m (8'6")	2.30 m (7'7")	2.60 m (8'6")
G312 GC	✓	✓	✓	✓	✓	✓	✓	✓
G313 GC	✓	✓	✓	✓	✓	✓		
G314	✓	✓	✓	✓	✓			

#### CW-20s Dedicated Coupler, continued

Undercarriage	Front Blade; Rear Outriggers							
Counterweight	2.8 mt							
Boom Type	1 PC (short)			1 PC			VA	
Stick Length	2.00 m (6'7")	2.30 m (7'7")	2.60 m (8'6")	2.00 m (6'7")	2.30 m (7'7")	2.60 m (8'6")	2.30 m (7'7")	2.60 m (8'6")
G312 GC	✓	✓	✓	✓	✓	✓	✓	✓
G313 GC	✓	✓	✓	✓	✓	✓		
G314	✓	✓	✓	✓	✓			

(continued on next page)

# Demolition & Sorting Grapples for Wheeled Excavators

## Matching – Wheeled Excavators (continued)

Match       \* Working range front only       No Match

### M314F, continued

#### CW-20s Dedicated Coupler, continued

Undercarriage	Front Blade; Rear Outriggers							
Counterweight	3.3 mt							
Boom Type	1 PC (short)			1 PC			VA	
Stick Length	2.00 m (6'7")	2.30 m (7'7")	2.60 m (8'6")	2.00 m (6'7")	2.30 m (7'7")	2.60 m (8'6")	2.30 m (7'7")	2.60 m (8'6")
G312 GC	✓	✓	✓	✓	✓	✓	✓	✓
G313 GC	✓	✓	✓	✓	✓	✓		
G314	✓	✓	✓	✓	✓			

#### CW-20s Dedicated Coupler, continued

Undercarriage	Rear Blade							
Counterweight	2.8 mt				3.3 mt			
Boom Type	1 PC (short)			1 PC		1 PC (short)		
Stick Length	2.00 m (6'7")	2.30 m (7'7")	2.60 m (8'6")	2.00 m (6'7")	2.30 m (7'7")	2.00 m (6'7")	2.30 m (7'7")	2.60 m (8'6")
G312 GC	✓	✓	✓	✓	✓*	✓	✓	✓
G313 GC	✓	✓	✓*	✓*		✓	✓	✓
G314	✓	✓*				✓	✓	✓

#### CW-20s Dedicated Coupler, continued

Undercarriage	Rear Blade			
Counterweight	3.3 mt			
Boom Type	1 PC			VA
Stick Length	2.00 m (6'7")	2.30 m (7'7")	2.60 m (8'6")	2.30 m (7'7")
G312 GC	✓	✓	✓	✓*
G313 GC	✓	✓	✓*	
G314	✓	✓*		

#### CW-20 Dedicated Coupler

Undercarriage	Front and Rear Outriggers							
Counterweight	2.8 mt							
Boom Type	1 PC (short)			1 PC			VA	
Stick Length	2.00 m (6'7")	2.30 m (7'7")	2.60 m (8'6")	2.00 m (6'7")	2.30 m (7'7")	2.60 m (8'6")	2.30 m (7'7")	2.60 m (8'6")
G312 GC	✓	✓	✓	✓	✓	✓	✓	✓
G312 GC-fixed CAN	✓	✓	✓	✓	✓	✓		
G313 GC	✓	✓	✓	✓	✓	✓		
G313 GC-fixed CAN	✓	✓	✓	✓	✓	✓		
G314	✓	✓		✓	✓			

#### CW-20 Dedicated Coupler, continued

Undercarriage	Front and Rear Outriggers							
Counterweight	3.3 mt							
Boom Type	1 PC (short)			1 PC			VA	
Stick Length	2.00 m (6'7")	2.30 m (7'7")	2.60 m (8'6")	2.00 m (6'7")	2.30 m (7'7")	2.60 m (8'6")	2.30 m (7'7")	2.60 m (8'6")
G312 GC	✓	✓	✓	✓	✓	✓	✓	✓
G312 GC-fixed CAN	✓	✓	✓	✓	✓	✓		
G313 GC	✓	✓	✓	✓	✓	✓		
G313 GC-fixed CAN	✓	✓	✓	✓	✓	✓		
G314	✓	✓		✓	✓			

(continued on next page)



# Demolition & Sorting Grapples for Wheeled Excavators

## Matching – Wheeled Excavators (continued)

Match
  \* Working range front only
  No Match

### M314F, continued

#### CW-20 Dedicated Coupler, continued

Undercarriage	Front Blade; Rear Outriggers							
Counterweight	2.8 mt							
Boom Type	1 PC (short)			1 PC			VA	
Stick Length	2.00 m (6'7")	2.30 m (7'7")	2.60 m (8'6")	2.00 m (6'7")	2.30 m (7'7")	2.60 m (8'6")	2.30 m (7'7")	2.60 m (8'6")
G312 GC	✓	✓	✓	✓	✓	✓	✓	✓
G312 GC-fixed CAN	✓	✓	✓	✓	✓	✓		
G313 GC	✓	✓	✓	✓	✓	✓		
G313 GC-fixed CAN	✓	✓	✓	✓	✓	✓		
G314	✓	✓		✓	✓			

#### CW-20 Dedicated Coupler, continued

Undercarriage	Front Blade; Rear Outriggers							
Counterweight	3.3 mt							
Boom Type	1 PC (short)			1 PC			VA	
Stick Length	2.00 m (6'7")	2.30 m (7'7")	2.60 m (8'6")	2.00 m (6'7")	2.30 m (7'7")	2.60 m (8'6")	2.30 m (7'7")	2.60 m (8'6")
G312 GC	✓	✓	✓	✓	✓	✓	✓	✓
G312 GC-fixed CAN	✓	✓	✓	✓	✓	✓		
G313 GC	✓	✓	✓	✓	✓	✓		
G313 GC-fixed CAN	✓	✓	✓	✓	✓	✓		
G314	✓	✓		✓	✓			

#### CW-20 Dedicated Coupler, continued

Undercarriage	Rear Blade							
Counterweight	2.8 mt						3.3 mt	
Boom Type	1 PC (short)			1 PC			1 PC (short)	
Stick Length	2.00 m (6'7")	2.30 m (7'7")	2.60 m (8'6")	2.00 m (6'7")	2.30 m (7'7")	2.60 m (8'6")	2.00 m (6'7")	2.30 m (7'7")
G312 GC	✓	✓	✓*	✓	✓*		✓	✓
G312 GC-fixed CAN	✓	✓	✓	✓	✓	✓*	✓	✓
G313 GC	✓	✓*		✓*			✓	✓
G313 GC-fixed CAN	✓	✓	✓*	✓*	✓*		✓	✓
G314	✓*	✓*					✓	✓

#### CW-20 Dedicated Coupler, continued

Undercarriage	Rear Blade				
Counterweight	3.3 mt				
Boom Type	1 PC (short)	1 PC			VA
Stick Length	2.60 m (8'6")	2.00 m (6'7")	2.30 m (7'7")	2.60 m (8'6")	2.30 m (7'7")
G312 GC	✓	✓	✓	✓	✓*
G312 GC-fixed CAN	✓	✓	✓	✓	
G313 GC	✓	✓	✓	✓*	
G313 GC-fixed CAN	✓	✓	✓	✓*	
G314		✓	✓*		

(continued on next page)

# Demolition & Sorting Grapples for Wheeled Excavators

## Matching – Wheeled Excavators (continued)

Match       \* Working range front only       No Match

### M314F, continued S60 Dedicated Coupler

Undercarriage	Front and Rear Outriggers							
Counterweight	2.8 mt							
Boom Type	1 PC (short)			1 PC			VA	
Stick Length	2.00 m (6'7")	2.30 m (7'7")	2.60 m (8'6")	2.00 m (6'7")	2.30 m (7'7")	2.60 m (8'6")	2.00 m (6'7")	2.30 m (7'7")
G312 GC	✓	✓	✓	✓	✓	✓	✓	✓
G313 GC	✓	✓	✓	✓	✓	✓		✓
G314	✓	✓	✓	✓	✓	✓		✓

### S60 Dedicated Coupler, continued

Undercarriage	Front and Rear Outriggers							
Counterweight	2.8 mt	3.3 mt						
Boom Type	VA	1 PC (short)			1 PC			VA
Stick Length	2.60 m (8'6")	2.00 m (6'7")	2.30 m (7'7")	2.60 m (8'6")	2.00 m (6'7")	2.30 m (7'7")	2.60 m (8'6")	2.00 m (6'7")
G312 GC	✓	✓	✓	✓	✓	✓	✓	✓
G313 GC	✓	✓	✓	✓	✓	✓	✓	
G314	✓	✓	✓	✓	✓	✓	✓	

### S60 Dedicated Coupler, continued

Undercarriage	Front and Rear Outriggers			Front Blade; Rear Outriggers				
Counterweight	3.3 mt			2.8 mt				
Boom Type	VA		1 PC (short)		1 PC			
Stick Length	2.30 m (7'7")	2.60 m (8'6")	2.00 m (6'7")	2.30 m (7'7")	2.60 m (8'6")	2.00 m (6'7")	2.30 m (7'7")	2.60 m (8'6")
G312 GC	✓	✓	✓	✓	✓	✓	✓	✓
G313 GC	✓	✓	✓	✓	✓	✓	✓	✓
G314	✓	✓	✓	✓	✓	✓	✓	✓

### S60 Dedicated Coupler, continued

Undercarriage	Front Blade; Rear Outriggers							
Counterweight	2.8 mt			3.3 mt				
Boom Type	VA			1 PC (short)			1 PC	
Stick Length	2.00 m (6'7")	2.30 m (7'7")	2.60 m (8'6")	2.00 m (6'7")	2.30 m (7'7")	2.60 m (8'6")	2.00 m (6'7")	2.30 m (7'7")
G312 GC	✓	✓	✓	✓	✓	✓	✓	✓
G313 GC		✓	✓	✓	✓	✓	✓	✓
G314		✓	✓	✓	✓	✓	✓	✓

### S60 Dedicated Coupler, continued

Undercarriage	Front Blade; Rear Outriggers				Rear Blade			
Counterweight	3.3 mt				2.8 mt			
Boom Type	1 PC	VA		1 PC (short)		1 PC		
Stick Length	2.60 m (8'6")	2.00 m (6'7")	2.30 m (7'7")	2.60 m (8'6")	2.00 m (6'7")	2.30 m (7'7")	2.60 m (8'6")	2.00 m (6'7")
G312 GC	✓	✓	✓	✓	✓	✓	✓	✓
G313 GC	✓		✓	✓	✓	✓	✓*	✓*
G314	✓		✓	✓	✓	✓*		

(continued on next page)

# Demolition & Sorting Grapples for Wheeled Excavators

## Matching – Wheeled Excavators (continued)

Match       \* Working range front only       No Match

### M314F, continued

#### S60 Dedicated Coupler, continued

Undercarriage	Rear Blade							
	2.8 mt		3.3 mt					
Counterweight	1 PC		1 PC (short)		1 PC			
Boom Type	1 PC		1 PC (short)		1 PC			
Stick Length	2.30 m (7'7")	2.60 m (8'6")	2.00 m (6'7")	2.30 m (7'7")	2.60 m (8'6")	2.00 m (6'7")	2.30 m (7'7")	2.60 m (8'6")
G312 GC	✓	✓*	✓	✓	✓	✓	✓	✓
G313 GC			✓	✓	✓	✓	✓	✓*
G314			✓	✓	✓	✓	✓*	

#### S60 Dedicated Coupler, continued

Undercarriage	Rear Blade	
Counterweight	3.3 mt	
Boom Type	VA	
Stick Length	2.00 m (6'7")	2.30 m (7'7")
G312 GC	✓	✓*
G313 GC		
G314		

### TRS10-CW-20s

Undercarriage	Front and Rear Outriggers							
Counterweight	2.8 mt							
Boom Type	1 PC (short)			1 PC			VA	
Stick Length	2.00 m (6'7")	2.30 m (7'7")	2.60 m (8'6")	2.00 m (6'7")	2.30 m (7'7")	2.60 m (8'6")	2.00 m (6'7")	2.30 m (7'7")
G212 GC	✓	✓		✓	✓			
G212 GC-fixed CAN	✓	✓	✓	✓	✓	✓	✓	✓
G213 GC	✓			✓				
G213 GC-fixed CAN	✓	✓		✓	✓			✓

### TRS10-CW-20s, continued

Undercarriage	Front and Rear Outriggers							
Counterweight	2.8 mt	3.3 mt						
Boom Type	VA	1 PC (short)			1 PC			VA
Stick Length	2.60 m (8'6")	2.00 m (6'7")	2.30 m (7'7")	2.60 m (8'6")	2.00 m (6'7")	2.30 m (7'7")	2.60 m (8'6")	2.00 m (6'7")
G212 GC		✓	✓		✓	✓		
G212 GC-fixed CAN	✓	✓	✓	✓	✓	✓	✓	✓
G213 GC		✓			✓			
G213 GC-fixed CAN	✓	✓	✓		✓	✓		

### TRS10-CW-20s, continued

Undercarriage	Front and Rear Outriggers			Front Blade; Rear Outriggers				
Counterweight	3.3 mt			2.8 mt				
Boom Type	VA		1 PC (short)		1 PC			
Stick Length	2.30 m (7'7")	2.60 m (8'6")	2.00 m (6'7")	2.30 m (7'7")	2.60 m (8'6")	2.00 m (6'7")	2.30 m (7'7")	2.60 m (8'6")
G212 GC			✓	✓		✓	✓	
G212 GC-fixed CAN	✓	✓	✓	✓	✓	✓	✓	✓
G213 GC			✓			✓		
G213 GC-fixed CAN	✓	✓	✓	✓		✓	✓	

(continued on next page)

# Demolition & Sorting Grapples for Wheeled Excavators

## Matching – Wheeled Excavators (continued)

Match
  \* Working range front only
  No Match

### M314F, continued

#### TRS10-CW-20s, continued

Undercarriage	Front Blade; Rear Outriggers							
	2.8 mt			3.3 mt				
Counterweight	VA			1 PC (short)			1 PC	
Boom Type	VA			1 PC (short)			1 PC	
Stick Length	2.00 m (6'7")	2.30 m (7'7")	2.60 m (8'6")	2.00 m (6'7")	2.30 m (7'7")	2.60 m (8'6")	2.00 m (6'7")	2.30 m (7'7")
G212 GC				✓	✓		✓	✓
G212 GC-fixed CAN	✓	✓	✓	✓	✓	✓	✓	✓
G213 GC				✓			✓	
G213 GC-fixed CAN		✓	✓	✓	✓		✓	✓

#### TRS10-CW-20s, continued

Undercarriage	Front Blade; Rear Outriggers				Rear Blade			
	3.3 mt				2.8 mt			
Counterweight	3.3 mt				2.8 mt			
Boom Type	1 PC	VA		1 PC (short)			1 PC	
Stick Length	2.60 m (8'6")	2.00 m (6'7")	2.30 m (7'7")	2.60 m (8'6")	2.00 m (6'7")	2.30 m (7'7")	2.60 m (8'6")	2.00 m (6'7")
G212 GC					✓*			
G212 GC-fixed CAN	✓	✓	✓	✓	✓	✓	✓*	✓*
G213 GC								
G213 GC-fixed CAN			✓	✓	✓*	✓*		

#### TRS10-CW-20s, continued

Undercarriage	Rear Blade						
	3.3 mt						
Counterweight	3.3 mt						
Boom Type	1 PC (short)			1 PC			VA
Stick Length	2.00 m (6'7")	2.30 m (7'7")	2.60 m (8'6")	2.00 m (6'7")	2.30 m (7'7")	2.60 m (8'6")	2.00 m (6'7")
G212 GC	✓	✓		✓*	✓*		
G212 GC-fixed CAN	✓	✓	✓	✓	✓	✓*	✓*
G213 GC	✓*						
G213 GC-fixed CAN	✓	✓		✓	✓*		

#### TRS10-CW-20

Undercarriage	Front and Rear Outriggers							
	2.8 mt							
Counterweight	2.8 mt							
Boom Type	1 PC (short)			1 PC			VA	
Stick Length	2.00 m (6'7")	2.30 m (7'7")	2.60 m (8'6")	2.00 m (6'7")	2.30 m (7'7")	2.60 m (8'6")	2.00 m (6'7")	2.30 m (7'7")
G212 GC	✓	✓		✓	✓			
G212 GC-fixed CAN	✓	✓	✓	✓	✓	✓	✓	✓
G213 GC	✓			✓				
G213 GC-fixed CAN	✓	✓		✓	✓			✓

#### TRS10-CW-20, continued

Undercarriage	Front and Rear Outriggers							
	2.8 mt	3.3 mt						
Counterweight	2.8 mt	3.3 mt						
Boom Type	VA	1 PC (short)			1 PC			VA
Stick Length	2.60 m (8'6")	2.00 m (6'7")	2.30 m (7'7")	2.60 m (8'6")	2.00 m (6'7")	2.30 m (7'7")	2.60 m (8'6")	2.00 m (6'7")
G212 GC		✓	✓		✓	✓		
G212 GC-fixed CAN	✓	✓	✓	✓	✓	✓	✓	✓
G213 GC		✓			✓			
G213 GC-fixed CAN	✓	✓	✓		✓	✓		

(continued on next page)

# Demolition & Sorting Grapples for Wheeled Excavators

## Matching – Wheeled Excavators (continued)

Match
  \* Working range front only
  No Match

### M314F, continued

#### TRS10-CW-20, continued

Undercarriage	Front and Rear Outriggers			Front Blade; Rear Outriggers				
Counterweight	3.3 mt			2.8 mt				
Boom Type	VA		1 PC (short)		1 PC			
Stick Length	2.30 m (7'7")	2.60 m (8'6")	2.00 m (6'7")	2.30 m (7'7")	2.60 m (8'6")	2.00 m (6'7")	2.30 m (7'7")	2.60 m (8'6")
G212 GC			✓	✓		✓	✓	
G212 GC-fixed CAN	✓	✓	✓	✓	✓	✓	✓	✓
G213 GC			✓			✓		
G213 GC-fixed CAN	✓	✓	✓	✓		✓	✓	

#### TRS10-CW-20, continued

Undercarriage	Front Blade; Rear Outriggers							
Counterweight	2.8 mt			3.3 mt				
Boom Type	VA		1 PC (short)			1 PC		
Stick Length	2.00 m (6'7")	2.30 m (7'7")	2.60 m (8'6")	2.00 m (6'7")	2.30 m (7'7")	2.60 m (8'6")	2.00 m (6'7")	2.30 m (7'7")
G212 GC				✓	✓		✓	✓
G212 GC-fixed CAN	✓	✓	✓	✓	✓	✓	✓	✓
G213 GC				✓			✓	
G213 GC-fixed CAN		✓	✓	✓	✓		✓	✓

#### TRS10-CW-20, continued

Undercarriage	Front Blade; Rear Outriggers				Rear Blade			
Counterweight	3.3 mt				2.8 mt			
Boom Type	1 PC	VA		1 PC (short)		1 PC		
Stick Length	2.60 m (8'6")	2.00 m (6'7")	2.30 m (7'7")	2.60 m (8'6")	2.00 m (6'7")	2.30 m (7'7")	2.60 m (8'6")	2.00 m (6'7")
G212 GC					✓*			
G212 GC-fixed CAN	✓	✓	✓	✓	✓	✓	✓*	✓*
G213 GC								
G213 GC-fixed CAN			✓	✓	✓	✓*		

#### TRS10-CW-20, continued

Undercarriage	Rear Blade						
Counterweight	3.3 mt						
Boom Type	1 PC (short)			1 PC		VA	
Stick Length	2.00 m (6'7")	2.30 m (7'7")	2.60 m (8'6")	2.00 m (6'7")	2.30 m (7'7")	2.60 m (8'6")	2.00 m (6'7")
G212 GC	✓	✓		✓*	✓*		
G212 GC-fixed CAN	✓	✓	✓	✓	✓	✓*	✓*
G213 GC	✓						
G213 GC-fixed CAN	✓	✓		✓	✓*		

(continued on next page)

# Demolition & Sorting Grapples for Wheeled Excavators

## Matching – Wheeled Excavators (continued)

Match       \* Working range front only       No Match

### M314F, continued TRS10-S60

Undercarriage	Front and Rear Outriggers							
Counterweight	2.8 mt							
Boom Type	1 PC (short)			1 PC			VA	
Stick Length	2.00 m (6'7")	2.30 m (7'7")	2.60 m (8'6")	2.00 m (6'7")	2.30 m (7'7")	2.60 m (8'6")	2.00 m (6'7")	2.30 m (7'7")
G212 GC	✓	✓	✓	✓	✓	✓	✓	✓
G213 GC	✓	✓	✓	✓	✓	✓	✓	✓

### TRS10-S60, continued

Undercarriage	Front and Rear Outriggers							
Counterweight	2.8 mt	3.3 mt						
Boom Type	VA	1 PC (short)			1 PC		VA	
Stick Length	2.60 m (8'6")	2.00 m (6'7")	2.30 m (7'7")	2.60 m (8'6")	2.00 m (6'7")	2.30 m (7'7")	2.60 m (8'6")	2.00 m (6'7")
G212 GC	✓	✓	✓	✓	✓	✓	✓	✓
G213 GC	✓	✓	✓	✓	✓	✓	✓	✓

### TRS10-S60, continued

Undercarriage	Front and Rear Outriggers			Front Blade; Rear Outriggers				
Counterweight	3.3 mt			2.8 mt				
Boom Type	VA		1 PC (short)		1 PC			
Stick Length	2.30 m (7'7")	2.60 m (8'6")	2.00 m (6'7")	2.30 m (7'7")	2.60 m (8'6")	2.00 m (6'7")	2.30 m (7'7")	2.60 m (8'6")
G212 GC	✓	✓	✓	✓	✓	✓	✓	✓
G213 GC	✓	✓	✓	✓	✓	✓	✓	✓

### TRS10-S60, continued

Undercarriage	Front Blade; Rear Outriggers							
Counterweight	2.8 mt			3.3 mt				
Boom Type	VA		1 PC (short)		1 PC			
Stick Length	2.00 m (6'7")	2.30 m (7'7")	2.60 m (8'6")	2.00 m (6'7")	2.30 m (7'7")	2.60 m (8'6")	2.00 m (6'7")	2.30 m (7'7")
G212 GC	✓	✓	✓	✓	✓	✓	✓	✓
G213 GC	✓	✓	✓	✓	✓	✓	✓	✓

### TRS10-S60, continued

Undercarriage	Front Blade; Rear Outriggers				Rear Blade			
Counterweight	3.3 mt				2.8 mt			
Boom Type	1 PC	VA		1 PC (short)		1 PC		
Stick Length	2.60 m (8'6")	2.00 m (6'7")	2.30 m (7'7")	2.60 m (8'6")	2.00 m (6'7")	2.30 m (7'7")	2.60 m (8'6")	2.00 m (6'7")
G212 GC	✓	✓	✓	✓	✓	✓	✓*	✓
G213 GC	✓	✓	✓	✓	✓	✓*		

### TRS10-S60, continued

Undercarriage	Rear Blade							
Counterweight	2.8 mt	3.3 mt						
Boom Type	1 PC	1 PC (short)			1 PC		VA	
Stick Length	2.30 m (7'7")	2.00 m (6'7")	2.30 m (7'7")	2.60 m (8'6")	2.00 m (6'7")	2.30 m (7'7")	2.60 m (8'6")	2.00 m (6'7")
G212 GC	✓*	✓	✓	✓	✓	✓	✓*	✓*
G213 GC		✓	✓	✓	✓	✓*		

(continued on next page)

# Demolition & Sorting Grapples for Wheeled Excavators

## Matching – Wheeled Excavators (continued)

Match       \* Working range front only       No Match

### M314F, continued TRS10-S60, continued

Undercarriage	Rear Blade
Counterweight	3.3 mt
Boom Type	VA
Stick Length	2.30 m (7'7")
G212 GC	✓*
G213 GC	

### M314 Pin-on

Undercarriage	Front and Rear Outriggers						Front Blade; Rear Outriggers	
Counterweight	2.6 mt			3.1 mt			2.6 mt	
Boom Type	1 PC		VA	1 PC		VA	1 PC	
Stick Length	2.20 m (7'3")	2.50 m (8'2")	2.20 m (7'3")	2.20 m (7'3")	2.50 m (8'2")	2.20 m (7'3")	2.20 m (7'3")	2.50 m (8'2")
G312 GC	✓	✓	✓	✓	✓	✓	✓	✓
G313 GC	✓	✓		✓	✓		✓	✓
G314	✓	✓		✓	✓		✓	✓

### Pin-on, continued

Undercarriage	Front Blade; Rear Outriggers				Front Outriggers; Rear blade			
Counterweight	2.6 mt	3.1 mt			2.6 mt			3.1 mt
Boom Type	VA	1 PC		VA	1 PC		VA	1 PC
Stick Length	2.20 m (7'3")	2.20 m (7'3")	2.50 m (8'2")	2.20 m (7'3")	2.20 m (7'3")	2.50 m (8'2")	2.20 m (7'3")	2.20 m (7'3")
G312 GC	✓	✓	✓	✓	✓	✓	✓	✓
G313 GC		✓	✓		✓	✓		✓
G314		✓	✓		✓	✓		✓

### Pin-on, continued

Undercarriage	Front Outriggers; Rear blade		Rear Blade					
Counterweight	3.1 mt		2.6 mt			3.1 mt		
Boom Type	1 PC	VA	1 PC		VA	1 PC		VA
Stick Length	2.50 m (8'2")	2.20 m (7'3")	2.20 m (7'3")	2.50 m (8'2")	2.20 m (7'3")	2.20 m (7'3")	2.50 m (8'2")	2.20 m (7'3")
G312 GC	✓	✓	✓	✓	✓*	✓	✓	✓
G313 GC	✓		✓	✓		✓	✓	
G314	✓		✓	✓*		✓	✓	

### Pin Grabber Coupler

Undercarriage	Front and Rear Outriggers				Front Blade; Rear Outriggers			
Counterweight	2.6 mt		3.1 mt		2.6 mt		3.1 mt	
Boom Type	1 PC		1 PC		1 PC		1 PC	
Stick Length	2.20 m (7'3")	2.50 m (8'2")	2.20 m (7'3")	2.50 m (8'2")	2.20 m (7'3")	2.50 m (8'2")	2.20 m (7'3")	2.50 m (8'2")
G312 GC	✓	✓	✓	✓	✓	✓	✓	✓
G313 GC	✓	✓	✓	✓	✓	✓	✓	✓
G314	✓	✓	✓	✓	✓	✓	✓	✓

(continued on next page)

# Demolition & Sorting Grapples for Wheeled Excavators

## Matching – Wheeled Excavators (continued)

Match
  \* Working range front only
  No Match

### M314, continued

#### Pin Grabber Coupler, continued

Undercarriage	Front Outriggers; Rear blade				Rear Blade			
Counterweight	2.6 mt		3.1 mt		2.6 mt		3.1 mt	
Boom Type	1 PC		1 PC		1 PC		1 PC	
Stick Length	2.20 m (7'3")	2.50 m (8'2")	2.20 m (7'3")	2.50 m (8'2")	2.20 m (7'3")	2.50 m (8'2")	2.20 m (7'3")	2.50 m (8'2")
G312 GC	✓	✓	✓	✓	✓*	✓*	✓	✓
G313 GC	✓	✓	✓	✓			✓	✓*
G314	✓	✓	✓	✓			✓*	

### CW-20s Dedicated Coupler

Undercarriage	Front and Rear Outriggers							
Counterweight	2.6 mt				3.1 mt			
Boom Type	1 PC		VA		1 PC		VA	
Stick Length	2.20 m (7'3")	2.50 m (8'2")	2.20 m (7'3")	2.50 m (8'2")	2.20 m (7'3")	2.50 m (8'2")	2.20 m (7'3")	2.50 m (8'2")
G312 GC	✓	✓	✓	✓	✓	✓	✓	✓
G313 GC	✓	✓	✓	✓	✓	✓	✓	✓
G314	✓	✓	✓		✓	✓	✓	

### CW-20s Dedicated Coupler, continued

Undercarriage	Front Blade; Rear Outriggers							
Counterweight	2.6 mt				3.1 mt			
Boom Type	1 PC		VA		1 PC		VA	
Stick Length	2.20 m (7'3")	2.50 m (8'2")	2.20 m (7'3")	2.50 m (8'2")	2.20 m (7'3")	2.50 m (8'2")	2.20 m (7'3")	2.50 m (8'2")
G312 GC	✓	✓	✓	✓	✓	✓	✓	✓
G313 GC	✓	✓	✓	✓	✓	✓	✓	✓
G314	✓	✓	✓		✓	✓	✓	

### CW-20s Dedicated Coupler, continued

Undercarriage	Front Outriggers; Rear blade							
Counterweight	2.6 mt				3.1 mt			
Boom Type	1 PC		VA		1 PC		VA	
Stick Length	2.20 m (7'3")	2.50 m (8'2")	2.20 m (7'3")	2.50 m (8'2")	2.20 m (7'3")	2.50 m (8'2")	2.20 m (7'3")	2.50 m (8'2")
G312 GC	✓	✓	✓	✓	✓	✓	✓	✓
G313 GC	✓	✓	✓	✓	✓	✓	✓	✓
G314	✓	✓	✓		✓	✓	✓	

### CW-20s Dedicated Coupler, continued

Undercarriage	Rear Blade					
Counterweight	2.6 mt			3.1 mt		
Boom Type	1 PC		1 PC		VA	
Stick Length	2.20 m (7'3")	2.50 m (8'2")	2.20 m (7'3")	2.50 m (8'2")	2.20 m (7'3")	2.50 m (8'2")
G312 GC	✓	✓*	✓	✓	✓	✓*
G313 GC	✓*		✓	✓		
G314			✓	✓*		

(continued on next page)



# Demolition & Sorting Grapples for Wheeled Excavators

## Matching – Wheeled Excavators (continued)

Match       \* Working range front only       No Match

### M314, continued

#### CW-20 Dedicated Coupler

Undercarriage	Front and Rear Outriggers							
Counterweight	2.6 mt				3.1 mt			
Boom Type	1 PC		VA		1 PC		VA	
Stick Length	2.20 m (7'3")	2.50 m (8'2")	2.20 m (7'3")	2.50 m (8'2")	2.20 m (7'3")	2.50 m (8'2")	2.20 m (7'3")	2.50 m (8'2")
G312 GC	✓	✓	✓	✓	✓	✓	✓	✓
G312 GC-fixed CAN	✓	✓	✓		✓	✓	✓	
G313 GC	✓	✓	✓	✓	✓	✓	✓	✓
G313 GC-fixed CAN	✓	✓			✓	✓		
G314	✓	✓	✓		✓	✓	✓	

#### CW-20 Dedicated Coupler, continued

Undercarriage	Front Blade; Rear Outriggers							
Counterweight	2.6 mt				3.1 mt			
Boom Type	1 PC		VA		1 PC		VA	
Stick Length	2.20 m (7'3")	2.50 m (8'2")	2.20 m (7'3")	2.50 m (8'2")	2.20 m (7'3")	2.50 m (8'2")	2.20 m (7'3")	2.50 m (8'2")
G312 GC	✓	✓	✓	✓	✓	✓	✓	✓
G312 GC-fixed CAN	✓	✓	✓		✓	✓	✓	
G313 GC	✓	✓	✓	✓	✓	✓	✓	✓
G313 GC-fixed CAN	✓	✓			✓	✓		
G314	✓	✓	✓		✓	✓	✓	

#### CW-20 Dedicated Coupler, continued

Undercarriage	Front Outriggers; Rear blade							
Counterweight	2.6 mt				3.1 mt			
Boom Type	1 PC		VA		1 PC		VA	
Stick Length	2.20 m (7'3")	2.50 m (8'2")	2.20 m (7'3")	2.50 m (8'2")	2.20 m (7'3")	2.50 m (8'2")	2.20 m (7'3")	2.50 m (8'2")
G312 GC	✓	✓	✓	✓	✓	✓	✓	✓
G312 GC-fixed CAN	✓	✓	✓		✓	✓	✓	
G313 GC	✓	✓	✓	✓	✓	✓	✓	✓
G313 GC-fixed CAN	✓	✓			✓	✓		
G314	✓	✓	✓		✓	✓	✓	

#### CW-20 Dedicated Coupler, continued

Undercarriage	Rear Blade					
Counterweight	2.6 mt			3.1 mt		
Boom Type	1 PC		1 PC		VA	
Stick Length	2.20 m (7'3")	2.50 m (8'2")	2.20 m (7'3")	2.50 m (8'2")	2.20 m (7'3")	2.50 m (8'2")
G312 GC	✓	✓*	✓	✓	✓*	✓*
G312 GC-fixed CAN	✓	✓	✓	✓	✓	
G313 GC			✓	✓		
G313 GC-fixed CAN	✓*		✓	✓		
G314			✓	✓*		

(continued on next page)

# Demolition & Sorting Grapples for Wheeled Excavators

## Matching – Wheeled Excavators (continued)

Match       \* Working range front only       No Match

### M314, continued S60 Dedicated Coupler

Undercarriage	Front and Rear Outriggers							
Counterweight	2.6 mt				3.1 mt			
Boom Type	1 PC		VA		1 PC		VA	
Stick Length	2.20 m (7'3")	2.50 m (8'2")	2.20 m (7'3")	2.50 m (8'2")	2.20 m (7'3")	2.50 m (8'2")	2.20 m (7'3")	2.50 m (8'2")
G312 GC	✓	✓	✓	✓	✓	✓	✓	✓
G313 GC	✓	✓	✓		✓	✓	✓	
G314	✓	✓			✓	✓		

### S60 Dedicated Coupler, continued

Undercarriage	Front Blade; Rear Outriggers							
Counterweight	2.6 mt				3.1 mt			
Boom Type	1 PC		VA		1 PC		VA	
Stick Length	2.20 m (7'3")	2.50 m (8'2")	2.20 m (7'3")	2.50 m (8'2")	2.20 m (7'3")	2.50 m (8'2")	2.20 m (7'3")	2.50 m (8'2")
G312 GC	✓	✓	✓	✓	✓	✓	✓	✓
G313 GC	✓	✓	✓		✓	✓	✓	
G314	✓	✓			✓	✓		

### S60 Dedicated Coupler, continued

Undercarriage	Front Outriggers; Rear blade							
Counterweight	2.6 mt				3.1 mt			
Boom Type	1 PC		VA		1 PC		VA	
Stick Length	2.20 m (7'3")	2.50 m (8'2")	2.20 m (7'3")	2.50 m (8'2")	2.20 m (7'3")	2.50 m (8'2")	2.20 m (7'3")	2.50 m (8'2")
G312 GC	✓	✓	✓	✓	✓	✓	✓	✓
G313 GC	✓	✓	✓		✓	✓	✓	
G314	✓	✓			✓	✓		

### S60 Dedicated Coupler, continued

Undercarriage	Rear Blade					
Counterweight	2.6 mt			3.1 mt		
Boom Type	1 PC		1 PC		VA	
Stick Length	2.20 m (7'3")	2.50 m (8'2")	2.20 m (7'3")	2.50 m (8'2")	2.20 m (7'3")	2.50 m (8'2")
G312 GC	✓	✓*	✓	✓	✓	✓*
G313 GC	✓*		✓	✓		
G314			✓	✓*		

### TRS10-CW-20s

Undercarriage	Front and Rear Outriggers				Front Blade; Rear Outriggers			
Counterweight	2.6 mt		3.1 mt		2.6 mt		3.1 mt	
Boom Type	1 PC		1 PC		1 PC		1 PC	
Stick Length	2.20 m (7'3")	2.50 m (8'2")	2.20 m (7'3")	2.50 m (8'2")	2.20 m (7'3")	2.50 m (8'2")	2.20 m (7'3")	2.50 m (8'2")
G212 GC	✓	✓	✓	✓	✓	✓	✓	✓
G212 GC-fixed CAN	✓	✓	✓	✓	✓	✓	✓	✓
G213 GC	✓	✓	✓	✓	✓	✓	✓	✓
G213 GC-fixed CAN	✓	✓	✓	✓	✓	✓	✓	✓

(continued on next page)

# Demolition & Sorting Grapples for Material Handlers

## Matching – Wheeled Excavators (continued)

Match
  \* Working range front only
  No Match

### M314, continued

#### TRS10-CW-20s, continued

Undercarriage	Front Outriggers; Rear blade				Rear Blade		
	2.6 mt		3.1 mt		2.6 mt	3.1 mt	
Counterweight	2.6 mt		3.1 mt		2.6 mt	3.1 mt	
Boom Type	1 PC		1 PC		1 PC	1 PC	
Stick Length	2.20 m (7'3")	2.50 m (8'2")	2.20 m (7'3")	2.50 m (8'2")	2.20 m (7'3")	2.20 m (7'3")	2.50 m (8'2")
G212 GC	✓	✓	✓	✓		✓	✓*
G212 GC-fixed CAN	✓	✓	✓	✓	✓*	✓	✓
G213 GC	✓	✓	✓	✓			
G213 GC-fixed CAN	✓	✓	✓	✓		✓*	✓*

### TRS10-CW-20

Undercarriage	Front and Rear Outriggers				Front Blade; Rear Outriggers			
	2.6 mt		3.1 mt		2.6 mt		3.1 mt	
Counterweight	2.6 mt		3.1 mt		2.6 mt		3.1 mt	
Boom Type	1 PC		1 PC		1 PC		1 PC	
Stick Length	2.20 m (7'3")	2.50 m (8'2")	2.20 m (7'3")	2.50 m (8'2")	2.20 m (7'3")	2.50 m (8'2")	2.20 m (7'3")	2.50 m (8'2")
G212 GC	✓	✓	✓	✓	✓	✓	✓	✓
G212 GC-fixed CAN	✓	✓	✓	✓	✓	✓	✓	✓
G213 GC	✓	✓	✓	✓	✓	✓	✓	✓
G213 GC-fixed CAN	✓	✓	✓	✓	✓	✓	✓	✓

### TRS10-CW-20, continued

Undercarriage	Front Outriggers; Rear blade				Rear Blade		
	2.6 mt		3.1 mt		2.6 mt	3.1 mt	
Counterweight	2.6 mt		3.1 mt		2.6 mt	3.1 mt	
Boom Type	1 PC		1 PC		1 PC	1 PC	
Stick Length	2.20 m (7'3")	2.50 m (8'2")	2.20 m (7'3")	2.50 m (8'2")	2.20 m (7'3")	2.20 m (7'3")	2.50 m (8'2")
G212 GC	✓	✓	✓	✓		✓	✓*
G212 GC-fixed CAN	✓	✓	✓	✓	✓*	✓	✓
G213 GC	✓	✓	✓	✓			
G213 GC-fixed CAN	✓	✓	✓	✓		✓	✓*

### TRS10-S60

Undercarriage	Front and Rear Outriggers							
	2.6 mt				3.1 mt			
Counterweight	2.6 mt				3.1 mt			
Boom Type	1 PC		VA		1 PC		VA	
Stick Length	2.20 m (7'3")	2.50 m (8'2")	2.20 m (7'3")	2.50 m (8'2")	2.20 m (7'3")	2.50 m (8'2")	2.20 m (7'3")	2.50 m (8'2")
G212 GC	✓	✓	✓	✓	✓	✓	✓	✓
G213 GC	✓	✓			✓	✓		

### TRS10-S60, continued

Undercarriage	Front Blade; Rear Outriggers							
	2.6 mt				3.1 mt			
Counterweight	2.6 mt				3.1 mt			
Boom Type	1 PC		VA		1 PC		VA	
Stick Length	2.20 m (7'3")	2.50 m (8'2")	2.20 m (7'3")	2.50 m (8'2")	2.20 m (7'3")	2.50 m (8'2")	2.20 m (7'3")	2.50 m (8'2")
G212 GC	✓	✓	✓	✓	✓	✓	✓	✓
G213 GC	✓	✓			✓	✓		

(continued on next page)

# Demolition & Sorting Grapples for Wheeled Excavators

## Matching – Wheeled Excavators (continued)

Match       \* Working range front only       No Match

### M314, continued TRS10-S60, continued

Undercarriage	Front Outriggers; Rear blade							
Counterweight	2.6 mt				3.1 mt			
Boom Type	1 PC		VA		1 PC		VA	
Stick Length	2.20 m (7'3")	2.50 m (8'2")	2.20 m (7'3")	2.50 m (8'2")	2.20 m (7'3")	2.50 m (8'2")	2.20 m (7'3")	2.50 m (8'2")
G212 GC	✓	✓	✓	✓	✓	✓	✓	✓
G213 GC	✓	✓			✓	✓		

### TRS10-S60, continued

Undercarriage	Rear Blade				
Counterweight	2.6 mt		3.1 mt		
Boom Type	1 PC		1 PC		VA
Stick Length	2.20 m (7'3")	2.50 m (8'2")	2.20 m (7'3")	2.50 m (8'2")	2.20 m (7'3")
G212 GC	✓*	✓*	✓	✓	✓*
G213 GC			✓	✓*	

### M315D2 Pin-on

Undercarriage	Front Outriggers; Rear blade							
Counterweight	2.9 mt						3.3 mt	
Boom Type	1 PC (short)		1 PC		VA		1 PC (short)	
Stick Length	2.00 m (6'7")	2.30 m (7'7")	2.00 m (6'7")	2.30 m (7'7")	2.00 m (6'7")	2.30 m (7'7")	2.00 m (6'7")	2.30 m (7'7")
G312 GC	✓	✓	✓	✓	✓	✓	✓	✓
G313 GC	✓	✓	✓	✓	✓	✓	✓	✓
G314	✓	✓	✓	✓	✓	✓	✓	✓

### Pin-on, continued

Undercarriage	Front Outriggers; Rear blade				Rear Blade			
Counterweight	3.3 mt				2.9 mt			
Boom Type	1 PC		VA		1 PC (short)		1 PC	
Stick Length	2.00 m (6'7")	2.30 m (7'7")	2.00 m (6'7")	2.30 m (7'7")	2.00 m (6'7")	2.30 m (7'7")	2.00 m (6'7")	2.30 m (7'7")
G312 GC	✓	✓	✓	✓	✓	✓	✓	✓
G313 GC	✓	✓	✓	✓	✓	✓	✓	✓
G314	✓	✓	✓	✓	✓	✓	✓	✓*

### Pin-on, continued

Undercarriage	Rear Blade							
Counterweight	2.9 mt				3.3 mt			
Boom Type	VA		1 PC (short)		1 PC		VA	
Stick Length	2.00 m (6'7")	2.30 m (7'7")	2.00 m (6'7")	2.30 m (7'7")	2.00 m (6'7")	2.30 m (7'7")	2.00 m (6'7")	2.30 m (7'7")
G312 GC	✓	✓	✓	✓	✓	✓	✓	✓
G313 GC	✓	✓*	✓	✓	✓	✓	✓	✓
G314	✓*		✓	✓	✓	✓	✓	✓*

(continued on next page)

# Demolition & Sorting Grapples for Material Handlers

## Matching – Wheeled Excavators *(continued)*

Match       \* Working range front only       No Match

### M315D2, *continued* Pin Grabber Coupler

Undercarriage	Front Outriggers; Rear blade							
Counterweight	2.9 mt					3.3 mt		
Boom Type	1 PC (short)		1 PC		VA	1 PC (short)		1 PC
Stick Length	2.00 m (6'7")	2.30 m (7'7")	2.00 m (6'7")	2.30 m (7'7")	2.30 m (7'7")	2.00 m (6'7")	2.30 m (7'7")	2.00 m (6'7")
G312 GC	✓	✓	✓	✓	✓	✓	✓	✓
G313 GC	✓	✓	✓	✓		✓	✓	✓
G314	✓	✓	✓	✓		✓	✓	✓

### Pin Grabber Coupler, *continued*

Undercarriage	Front Outriggers; Rear blade		Rear Blade					
Counterweight	3.3 mt		2.9 mt			3.3 mt		
Boom Type	1 PC	VA	1 PC (short)		1 PC	1 PC (short)		1 PC
Stick Length	2.30 m (7'7")	2.30 m (7'7")	2.00 m (6'7")	2.30 m (7'7")	2.00 m (6'7")	2.00 m (6'7")	2.30 m (7'7")	2.00 m (6'7")
G312 GC	✓	✓	✓	✓*	✓*	✓	✓	✓
G313 GC	✓		✓*			✓	✓*	✓*
G314	✓					✓	✓*	

### Pin Grabber Coupler, *continued*

Undercarriage	Rear Blade
Counterweight	3.3 mt
Boom Type	1 PC
Stick Length	2.30 m (7'7")
G312 GC	✓*
G313 GC	
G314	

### CW-20s Dedicated Coupler

Undercarriage	Front Outriggers; Rear blade							
Counterweight	2.9 mt					3.3 mt		
Boom Type	1 PC (short)		1 PC		VA	1 PC (short)		1 PC
Stick Length	2.00 m (6'7")	2.30 m (7'7")	2.00 m (6'7")	2.30 m (7'7")	2.30 m (7'7")	2.00 m (6'7")	2.30 m (7'7")	2.00 m (6'7")
G312 GC	✓	✓	✓	✓	✓	✓	✓	✓
G313 GC	✓	✓	✓	✓		✓	✓	✓
G314	✓	✓	✓	✓		✓	✓	✓

### CW-20s Dedicated Coupler, *continued*

Undercarriage	Front Outriggers; Rear blade		Rear Blade					
Counterweight	3.3 mt		2.9 mt			3.3 mt		
Boom Type	1 PC	VA	1 PC (short)		1 PC	1 PC (short)		
Stick Length	2.30 m (7'7")	2.30 m (7'7")	2.00 m (6'7")	2.30 m (7'7")	2.00 m (6'7")	2.30 m (7'7")	2.00 m (6'7")	2.30 m (7'7")
G312 GC	✓	✓	✓	✓	✓	✓	✓	✓
G313 GC	✓		✓	✓	✓*		✓	✓
G314	✓		✓	✓*			✓	✓

*(continued on next page)*

# Demolition & Sorting Grapples for Wheeled Excavators

## Matching – Wheeled Excavators (continued)

Match
  \* Working range front only
  No Match

### M315D2, continued

#### CW-20s Dedicated Coupler, continued

Undercarriage	Rear Blade		
Counterweight	3.3 mt		
Boom Type	1 PC		VA
Stick Length	2.00 m (6'7")	2.30 m (7'7")	2.30 m (7'7")
G312 GC	✓	✓	✓
G313 GC	✓	✓	
G314	✓	✓*	

#### CW-20 Dedicated Coupler

Undercarriage	Front Outriggers; Rear blade							
Counterweight	2.9 mt				3.3 mt			
Boom Type	1 PC (short)		1 PC		VA	1 PC (short)		1 PC
Stick Length	2.00 m (6'7")	2.30 m (7'7")	2.00 m (6'7")	2.30 m (7'7")	2.30 m (7'7")	2.00 m (6'7")	2.30 m (7'7")	2.00 m (6'7")
G312 GC	✓	✓	✓	✓	✓	✓	✓	✓
G312 GC-fixed CAN	✓	✓	✓	✓		✓	✓	✓
G313 GC	✓	✓	✓	✓		✓	✓	✓
G313 GC-fixed CAN	✓	✓	✓	✓		✓	✓	✓
G314	✓		✓			✓		✓

#### CW-20 Dedicated Coupler, continued

Undercarriage	Front Outriggers; Rear blade		Rear Blade					
Counterweight	3.3 mt		2.9 mt				3.3 mt	
Boom Type	1 PC	VA	1 PC (short)		1 PC		1 PC (short)	
Stick Length	2.30 m (7'7")	2.30 m (7'7")	2.00 m (6'7")	2.30 m (7'7")	2.00 m (6'7")	2.30 m (7'7")	2.00 m (6'7")	2.30 m (7'7")
G312 GC	✓	✓	✓	✓	✓	✓*	✓	✓
G312 GC-fixed CAN	✓		✓	✓	✓	✓	✓	✓
G313 GC	✓		✓	✓*	✓*		✓	✓
G313 GC-fixed CAN	✓		✓	✓	✓	✓*	✓	✓
G314			✓				✓	

#### CW-20 Dedicated Coupler, continued

Undercarriage	Rear Blade		
Counterweight	3.3 mt		
Boom Type	1 PC		VA
Stick Length	2.00 m (6'7")	2.30 m (7'7")	2.30 m (7'7")
G312 GC	✓	✓	✓*
G312 GC-fixed CAN	✓	✓	
G313 GC	✓	✓*	
G313 GC-fixed CAN	✓	✓	
G314	✓		

(continued on next page)

# Demolition & Sorting Grapples for Wheeled Excavators

## Matching – Wheeled Excavators (continued)

Match       \* Working range front only       No Match

### M315F

#### Pin-on

Undercarriage	Front (parallel) Blade; Rear Outriggers				Front Outriggers; Rear (parallel) Blade			
Counterweight	3.75 mt				3.75 mt			
Boom Type	Offset		VA		Offset		VA	
Stick Length	2.30 m (7'7")	2.45 m (8'0")	2.30 m (7'7")	2.45 m (8'0")	2.30 m (7'7")	2.45 m (8'0")	2.30 m (7'7")	2.45 m (8'0")
G312 GC	✓	✓	✓	✓	✓	✓	✓	✓
G313 GC	✓	✓	✓	✓	✓	✓	✓	✓
G314	✓	✓	✓	✓	✓	✓	✓	✓

#### Pin-on, continued

Undercarriage	Front Outriggers; Rear (radial) blade				Rear (parallel) Blade			
Counterweight	3.75 mt				3.75 mt			
Boom Type	Offset		VA		Offset		VA	
Stick Length	2.30 m (7'7")	2.45 m (8'0")	2.30 m (7'7")	2.45 m (8'0")	2.30 m (7'7")	2.45 m (8'0")	2.30 m (7'7")	2.45 m (8'0")
G312 GC	✓	✓	✓	✓	✓	✓	✓	✓
G313 GC	✓	✓	✓	✓	✓	✓*	✓	✓
G314	✓	✓	✓	✓	✓*	✓*	✓	✓

#### Pin-on, continued

Undercarriage	Rear (radial) Blade			
Counterweight	3.75 mt			
Boom Type	Offset		VA	
Stick Length	2.30 m (7'7")	2.45 m (8'0")	2.30 m (7'7")	2.45 m (8'0")
G312 GC	✓	✓	✓	✓
G313 GC	✓*	✓*	✓	✓
G314	✓*		✓	✓

#### Pin Grabber Coupler

Undercarriage	Front (parallel) Blade; Rear Outriggers				Front Outriggers; Rear (parallel) Blade			
Counterweight	3.75 mt				3.75 mt			
Boom Type	Offset		VA		Offset		VA	
Stick Length	2.30 m (7'7")	2.45 m (8'0")	2.30 m (7'7")	2.45 m (8'0")	2.30 m (7'7")	2.45 m (8'0")	2.30 m (7'7")	2.45 m (8'0")
G312 GC	✓	✓	✓	✓	✓	✓	✓	✓
G313 GC		✓		✓		✓		✓
G314		✓		✓		✓		✓

#### Pin Grabber Coupler, continued

Undercarriage	Front Outriggers; Rear (radial) blade				Rear (parallel) Blade		Rear (radial) Blade	
Counterweight	3.75 mt				3.75 mt		3.75 mt	
Boom Type	Offset		VA		VA		VA	
Stick Length	2.30 m (7'7")	2.45 m (8'0")	2.30 m (7'7")	2.45 m (8'0")	2.30 m (7'7")	2.45 m (8'0")	2.30 m (7'7")	2.45 m (8'0")
G312 GC	✓	✓	✓	✓	✓*	✓*	✓*	✓*
G313 GC		✓		✓				
G314		✓		✓				

(continued on next page)

# Demolition & Sorting Grapples for Wheeled Excavators

## Matching – Wheeled Excavators (continued)

Match
  \* Working range front only
  No Match

### M315F, continued CW-20s Dedicated Coupler

Undercarriage	Front (parallel) Blade; Rear Outriggers				Front Outriggers; Rear (parallel) Blade			
Counterweight	3.75 mt				3.75 mt			
Boom Type	Offset		VA		Offset		VA	
Stick Length	2.30 m (7'7")	2.45 m (8'0")	2.30 m (7'7")	2.45 m (8'0")	2.30 m (7'7")	2.45 m (8'0")	2.30 m (7'7")	2.45 m (8'0")
G312 GC	✓	✓	✓	✓	✓	✓	✓	✓
G313 GC		✓		✓		✓		✓
G314		✓		✓		✓		✓

### CW-20s Dedicated Coupler, continued

Undercarriage	Front Outriggers; Rear (radial) blade				Rear (parallel) Blade			
Counterweight	3.75 mt				3.75 mt			
Boom Type	Offset		VA		Offset		VA	
Stick Length	2.30 m (7'7")	2.45 m (8'0")	2.30 m (7'7")	2.45 m (8'0")	2.30 m (7'7")	2.45 m (8'0")	2.30 m (7'7")	2.45 m (8'0")
G312 GC	✓	✓	✓	✓	✓*	✓*	✓	✓
G313 GC		✓		✓				✓*
G314		✓		✓				✓*

### CW-20s Dedicated Coupler, continued

Undercarriage	Rear (radial) Blade			
Counterweight	3.75 mt			
Boom Type	Offset		VA	
Stick Length	2.30 m (7'7")	2.45 m (8'0")	2.30 m (7'7")	2.45 m (8'0")
G312 GC	✓*	✓*	✓	✓
G313 GC				✓*
G314				

### CW-20 Dedicated Coupler

Undercarriage	Front (parallel) Blade; Rear Outriggers				Front Outriggers; Rear (parallel) Blade			
Counterweight	3.75 mt				3.75 mt			
Boom Type	Offset		VA		Offset		VA	
Stick Length	2.30 m (7'7")	2.45 m (8'0")	2.30 m (7'7")	2.45 m (8'0")	2.30 m (7'7")	2.45 m (8'0")	2.30 m (7'7")	2.45 m (8'0")
G312 GC	✓	✓	✓	✓	✓	✓	✓	✓
G312 GC-fixed CAN		✓		✓		✓		✓
G313 GC		✓		✓		✓		✓
G313 GC-fixed CAN		✓		✓		✓		✓
G314		✓		✓		✓		✓

(continued on next page)



# Demolition & Sorting Grapples for Wheeled Excavators

## Matching – Wheeled Excavators (continued)

Match       \* Working range front only       No Match

### M315F, continued

#### CW-20 Dedicated Coupler

Undercarriage	Front Outriggers; Rear (radial) Blade				Rear (parallel) Blade			
Counterweight	3.75 mt				3.75 mt			
Boom Type	Offset		VA		Offset		VA	
Stick Length	2.30 m (7'7")	2.45 m (8'0")	2.30 m (7'7")	2.45 m (8'0")	2.30 m (7'7")	2.45 m (8'0")	2.30 m (7'7")	2.45 m (8'0")
G312 GC	✓	✓	✓	✓	✓*	✓*	✓	✓
G312 GC-fixed CAN		✓		✓		✓*		✓
G313 GC		✓		✓				✓*
G313 GC-fixed CAN		✓		✓				✓
G314		✓		✓				

#### CW-20 Dedicated Coupler, continued

Undercarriage	Rear (radial) Blade			
Counterweight	3.75 mt			
Boom Type	Offset		VA	
Stick Length	2.30 m (7'7")	2.45 m (8'0")	2.30 m (7'7")	2.45 m (8'0")
G312 GC	✓*		✓	✓
G312 GC-fixed CAN		✓*		✓
G313 GC				✓*
G313 GC-fixed CAN				✓*
G314				

#### S60 Dedicated Coupler

Undercarriage	Front (parallel) Blade; Rear Outriggers				Front Outriggers; Rear (parallel) Blade			
Counterweight	3.75 mt				3.75 mt			
Boom Type	Offset		VA		Offset		VA	
Stick Length	2.30 m (7'7")	2.45 m (8'0")	2.30 m (7'7")	2.45 m (8'0")	2.30 m (7'7")	2.45 m (8'0")	2.30 m (7'7")	2.45 m (8'0")
G312 GC	✓	✓	✓	✓	✓	✓	✓	✓
G313 GC	✓	✓	✓	✓	✓	✓	✓	✓
G314	✓	✓	✓	✓	✓	✓	✓	✓

#### S60 Dedicated Coupler, continued

Undercarriage	Front Outriggers; Rear (radial) blade				Rear (parallel) Blade			
Counterweight	3.75 mt				3.75 mt			
Boom Type	Offset		VA		Offset		VA	
Stick Length	2.30 m (7'7")	2.45 m (8'0")	2.30 m (7'7")	2.45 m (8'0")	2.30 m (7'7")	2.45 m (8'0")	2.30 m (7'7")	2.45 m (8'0")
G312 GC	✓	✓	✓	✓	✓*	✓*	✓	✓
G313 GC	✓	✓	✓	✓			✓	✓
G314	✓	✓	✓	✓			✓*	✓*

#### S60 Dedicated Coupler, continued

Undercarriage	Rear (radial) Blade			
Counterweight	3.75 mt			
Boom Type	Offset		VA	
Stick Length	2.30 m (7'7")	2.45 m (8'0")	2.30 m (7'7")	2.45 m (8'0")
G312 GC	✓*	✓*	✓	✓
G313 GC			✓*	✓*
G314			✓*	

(continued on next page)

# Demolition & Sorting Grapples for Wheeled Excavators

## Matching – Wheeled Excavators (continued)

Match
  \* Working range front only
  No Match

### M315F, continued

#### TRS10-CW-20s

Undercarriage	Front (parallel) Blade; Rear Outriggers				Front Outriggers; Rear (parallel) Blade			
Counterweight	3.75 mt				3.75 mt			
Boom Type	Offset		VA		Offset		VA	
Stick Length	2.30 m (7'7")	2.45 m (8'0")	2.30 m (7'7")	2.45 m (8'0")	2.30 m (7'7")	2.45 m (8'0")	2.30 m (7'7")	2.45 m (8'0")
G212 GC		✓		✓		✓		✓
G212 GC-fixed CAN	✓	✓	✓	✓	✓	✓	✓	✓
G213 GC-fixed CAN	✓	✓	✓	✓	✓	✓	✓	✓

### TRS10-CW-20s, continued

Undercarriage	Front Outriggers; Rear (radial) blade				Rear (parallel) Blade		Rear (radial) Blade	
Counterweight	3.75 mt				3.75 mt		3.75 mt	
Boom Type	Offset		VA		VA		VA	
Stick Length	2.30 m (7'7")	2.45 m (8'0")	2.30 m (7'7")	2.45 m (8'0")	2.30 m (7'7")	2.45 m (8'0")	2.30 m (7'7")	2.45 m (8'0")
G212 GC		✓		✓				
G212 GC-fixed CAN	✓	✓	✓	✓	✓	✓*	✓*	✓*
G213 GC-fixed CAN	✓	✓	✓	✓	✓*			

### TRS10-CW-20

Undercarriage	Front (parallel) Blade; Rear Outriggers				Front Outriggers; Rear (parallel) Blade			
Counterweight	3.75 mt				3.75 mt			
Boom Type	Offset		VA		Offset		VA	
Stick Length	2.30 m (7'7")	2.45 m (8'0")	2.30 m (7'7")	2.45 m (8'0")	2.30 m (7'7")	2.45 m (8'0")	2.30 m (7'7")	2.45 m (8'0")
G212 GC		✓		✓		✓		✓
G212 GC-fixed CAN	✓	✓	✓	✓	✓	✓	✓	✓
G213 GC-fixed CAN	✓	✓	✓	✓	✓	✓	✓	✓

### TRS10-CW-20, continued

Undercarriage	Front Outriggers; Rear (radial) blade				Rear (parallel) Blade		Rear (radial) Blade	
Counterweight	3.75 mt				3.75 mt		3.75 mt	
Boom Type	Offset		VA		VA		VA	
Stick Length	2.30 m (7'7")	2.45 m (8'0")	2.30 m (7'7")	2.45 m (8'0")	2.30 m (7'7")	2.45 m (8'0")	2.30 m (7'7")	2.45 m (8'0")
G212 GC		✓		✓				
G212 GC-fixed CAN	✓	✓	✓	✓	✓	✓	✓*	✓*
G213 GC-fixed CAN	✓	✓	✓	✓	✓*	✓*		

### TRS10-S60

Undercarriage	Front (parallel) Blade; Rear Outriggers				Front Outriggers; Rear (parallel) Blade			
Counterweight	3.75 mt				3.75 mt			
Boom Type	Offset		VA		Offset		VA	
Stick Length	2.30 m (7'7")	2.45 m (8'0")	2.30 m (7'7")	2.45 m (8'0")	2.30 m (7'7")	2.45 m (8'0")	2.30 m (7'7")	2.45 m (8'0")
G212 GC	✓	✓	✓	✓	✓	✓	✓	✓
G213 GC	✓	✓	✓	✓	✓	✓	✓	✓

(continued on next page)

# Demolition & Sorting Grapples for Wheeled Excavators

## Matching – Wheeled Excavators (continued)

Match       \* Working range front only       No Match

### M315F, continued

### TRS10-S60, continued

Undercarriage	Front Outriggers; Rear (radial) blade				Rear (parallel) Blade			Rear (radial) Blade
Counterweight	3.75 mt				3.75 mt			3.75 mt
Boom Type	Offset		VA		Offset	VA		VA
Stick Length	2.30 m (7'7")	2.45 m (8'0")	2.30 m (7'7")	2.45 m (8'0")	2.30 m (7'7")	2.30 m (7'7")	2.45 m (8'0")	2.30 m (7'7")
G212 GC	✓	✓	✓	✓	✓*	✓	✓	✓
G213 GC	✓	✓	✓	✓		✓*	✓*	✓*

### TRS10-S60, continued

Undercarriage	Rear (radial) Blade
Counterweight	3.75 mt
Boom Type	VA
Stick Length	2.45 m (8'0")
G212 GC	✓
G213 GC	

### M315

### Pin-on

Undercarriage	Front and Rear Outriggers				Front Blade; Rear Outriggers			
Counterweight	2.6 mt		3.1 mt		2.6 mt		3.1 mt	
Boom Type	1 PC		1 PC		1 PC		1 PC	
Stick Length	2.20 m (7'3")	2.50 m (8'2")	2.20 m (7'3")	2.50 m (8'2")	2.20 m (7'3")	2.50 m (8'2")	2.20 m (7'3")	2.50 m (8'2")
G312 GC	✓	✓	✓	✓	✓	✓	✓	✓
G313 GC	✓	✓	✓	✓	✓	✓	✓	✓
G314	✓	✓	✓	✓	✓	✓	✓	✓

### Pin-on, continued

Undercarriage	Front Outriggers; Rear blade				Rear Blade			
Counterweight	2.6 mt		3.1 mt		2.6 mt		3.1 mt	
Boom Type	1 PC		1 PC		1 PC			
Stick Length	2.20 m (7'3")	2.50 m (8'2")	2.20 m (7'3")	2.50 m (8'2")	2.20 m (7'3")	2.50 m (8'2")	2.20 m (7'3")	2.50 m (8'2")
G312 GC	✓	✓	✓	✓	✓	✓	✓	✓
G313 GC	✓	✓	✓	✓	✓	✓*	✓	✓
G314	✓	✓	✓	✓	✓*		✓	✓

### Pin Grabber Coupler

Undercarriage	Front and Rear Outriggers				Front Blade; Rear Outriggers			
Counterweight	2.6 mt		3.1 mt		2.6 mt		3.1 mt	
Boom Type	1 PC		1 PC		1 PC		1 PC	
Stick Length	2.20 m (7'3")	2.50 m (8'2")	2.20 m (7'3")	2.50 m (8'2")	2.20 m (7'3")	2.50 m (8'2")	2.20 m (7'3")	2.50 m (8'2")
G312 GC	✓	✓	✓	✓	✓	✓	✓	✓
G313 GC	✓	✓	✓	✓	✓	✓	✓	✓
G314	✓	✓	✓	✓	✓	✓	✓	✓

(continued on next page)

# Demolition & Sorting Grapples for Wheeled Excavators

## Matching – Wheeled Excavators (continued)

Match       \* Working range front only       No Match

### M315, continued Pin Grabber Coupler, continued

Undercarriage	Front Outriggers; Rear Blade				Rear Blade		
Counterweight	2.6 mt		3.1 mt		2.6 mt	3.1 mt	
Boom Type	1 PC		1 PC		1 PC	1 PC	
Stick Length	2.20 m (7'3")	2.50 m (8'2")	2.20 m (7'3")	2.50 m (8'2")	2.20 m (7'3")	2.20 m (7'3")	2.50 m (8'2")
G312 GC	✓	✓	✓	✓	✓*	✓	✓
G313 GC	✓	✓	✓	✓		✓*	✓*
G314	✓	✓	✓	✓		✓*	

### CW-20s Dedicated Coupler

Undercarriage	Front and Rear Outriggers				Front Blade; Rear Outriggers			
Counterweight	2.6 mt		3.1 mt		2.6 mt		3.1 mt	
Boom Type	1 PC		1 PC		1 PC		1 PC	
Stick Length	2.20 m (7'3")	2.50 m (8'2")	2.20 m (7'3")	2.50 m (8'2")	2.20 m (7'3")	2.50 m (8'2")	2.20 m (7'3")	2.50 m (8'2")
G312 GC	✓	✓	✓	✓	✓	✓	✓	✓
G313 GC	✓	✓	✓	✓	✓	✓	✓	✓
G314	✓	✓	✓	✓	✓	✓	✓	✓

### CW-20s Dedicated Coupler, continued

Undercarriage	Front Outriggers; Rear blade				Rear Blade			
Counterweight	2.6 mt		3.1 mt		2.6 mt		3.1 mt	
Boom Type	1 PC		1 PC		1 PC		1 PC	
Stick Length	2.20 m (7'3")	2.50 m (8'2")	2.20 m (7'3")	2.50 m (8'2")	2.20 m (7'3")	2.50 m (8'2")	2.20 m (7'3")	2.50 m (8'2")
G312 GC	✓	✓	✓	✓	✓*	✓*	✓	✓
G313 GC	✓	✓	✓	✓			✓	✓*
G314	✓	✓	✓	✓			✓*	✓*

### CW-20 Dedicated Coupler

Undercarriage	Front and Rear Outriggers				Front Blade; Rear Outriggers			
Counterweight	2.6 mt		3.1 mt		2.6 mt		3.1 mt	
Boom Type	1 PC		1 PC		1 PC		1 PC	
Stick Length	2.20 m (7'3")	2.50 m (8'2")	2.20 m (7'3")	2.50 m (8'2")	2.20 m (7'3")	2.50 m (8'2")	2.20 m (7'3")	2.50 m (8'2")
G312 GC	✓	✓	✓	✓	✓	✓	✓	✓
G312 GC-fixed CAN	✓	✓	✓	✓	✓	✓	✓	✓
G313 GC	✓	✓	✓	✓	✓	✓	✓	✓
G313 GC-fixed CAN	✓	✓	✓	✓	✓	✓	✓	✓
G314	✓	✓	✓	✓	✓	✓	✓	✓

### CW-20 Dedicated Coupler, continued

Undercarriage	Front Outriggers; Rear blade				Rear Blade			
Counterweight	2.6 mt		3.1 mt		2.6 mt		3.1 mt	
Boom Type	1 PC		1 PC		1 PC		1 PC	
Stick Length	2.20 m (7'3")	2.50 m (8'2")	2.20 m (7'3")	2.50 m (8'2")	2.20 m (7'3")	2.50 m (8'2")	2.20 m (7'3")	2.50 m (8'2")
G312 GC	✓	✓	✓	✓	✓*	✓*	✓	✓
G312 GC-fixed CAN	✓	✓	✓	✓	✓	✓*	✓	✓
G313 GC	✓	✓	✓	✓			✓	✓*
G313 GC-fixed CAN	✓	✓	✓	✓	✓*		✓	✓
G314	✓	✓	✓	✓			✓*	

(continued on next page)

# Demolition & Sorting Grapples for Wheeled Excavators

## Matching – Wheeled Excavators (continued)

Match       \* Working range front only       No Match

### M316F

#### Pin-on

Undercarriage	Front (parallel) Blade; Rear Outriggers							
Counterweight	3.2 mt			3.2 mt			3.7 mt	
Boom Type	1 PC			VA			1 PC	
Stick Length	2.10 m (6'11")	2.40 m (7'10")	2.60 m (8'6")	2.10 m (6'11")	2.40 m (7'10")	2.60 m (8'6")	2.10 m (6'11")	2.40 m (7'10")
G313 GC	✓	✓	✓	✓	✓	✓	✓	✓
G314	✓	✓	✓	✓	✓	✓	✓	✓
G317 GC	✓	✓	✓	✓	✓	✓	✓	✓
G318	✓	✓	✓	✓	✓	✓	✓	✓
G318 WH-800	✓	✓	✓	✓	✓	✓	✓	✓
G318 WH-1100	✓	✓					✓	✓

#### Pin-on, continued

Undercarriage	Front (parallel) Blade; Rear Outriggers				Front and Rear Outriggers			
Counterweight	3.7 mt				3.2 mt			
Boom Type	1 PC	VA			1 PC			VA
Stick Length	2.60 m (8'6")	2.10 m (6'11")	2.40 m (7'10")	2.60 m (8'6")	2.10 m (6'11")	2.40 m (7'10")	2.60 m (8'6")	2.10 m (6'11")
G313 GC	✓	✓	✓	✓	✓	✓	✓	✓
G314	✓	✓	✓	✓	✓	✓	✓	✓
G317 GC	✓	✓	✓	✓	✓	✓	✓	✓
G318	✓	✓	✓	✓	✓	✓	✓	✓
G318 WH-800	✓	✓	✓	✓	✓	✓	✓	✓
G318 WH-1100					✓	✓		

#### Pin-on, continued

Undercarriage	Front and Rear Outriggers							
Counterweight	3.2 mt		3.7 mt					
Boom Type	VA		1 PC			VA		
Stick Length	2.40 m (7'10")	2.60 m (8'6")	2.10 m (6'11")	2.40 m (7'10")	2.60 m (8'6")	2.10 m (6'11")	2.40 m (7'10")	2.60 m (8'6")
G313 GC	✓	✓	✓	✓	✓	✓	✓	✓
G314	✓	✓	✓	✓	✓	✓	✓	✓
G317 GC	✓	✓	✓	✓	✓	✓	✓	✓
G318	✓	✓	✓	✓	✓	✓	✓	✓
G318 WH-800	✓	✓	✓	✓	✓	✓	✓	✓
G318 WH-1100			✓	✓				

#### Pin-on, continued

Undercarriage	Front Blade; Rear Outriggers							
Counterweight	3.2 mt						3.7 mt	
Boom Type	1 PC			VA			1 PC	
Stick Length	2.10 m (6'11")	2.40 m (7'10")	2.60 m (8'6")	2.10 m (6'11")	2.40 m (7'10")	2.60 m (8'6")	2.10 m (6'11")	2.40 m (7'10")
G313 GC	✓	✓	✓	✓	✓	✓	✓	✓
G314	✓	✓	✓	✓	✓	✓	✓	✓
G317 GC	✓	✓	✓	✓	✓	✓	✓	✓
G318	✓	✓	✓	✓	✓	✓	✓	✓
G318 WH-800	✓	✓	✓	✓	✓	✓	✓	✓
G318 WH-1100	✓	✓					✓	✓

(continued on next page)

# Demolition & Sorting Grapples for Wheeled Excavators

## Matching – Wheeled Excavators (continued)

Match
  \* Working range front only
  No Match

### M316F, continued Pin-on, continued

Undercarriage	Front Blade; Rear Outriggers				Rear (parallel) Blade			
Counterweight	3.7 mt				3.2 mt			
Boom Type	1 PC	VA			1 PC			VA
Stick Length	2.60 m (8'6")	2.10 m (6'11")	2.40 m (7'10")	2.60 m (8'6")	2.10 m (6'11")	2.40 m (7'10")	2.60 m (8'6")	2.10 m (6'11")
G313 GC	✓	✓	✓	✓	✓	✓	✓	✓
G314	✓	✓	✓	✓	✓	✓	✓	✓
G317 GC	✓	✓	✓	✓				
G318	✓	✓	✓	✓				
G318 WH-800	✓	✓	✓	✓				
G318 WH-1100								

### Pin-on, continued

Undercarriage	Rear (parallel) Blade							
Counterweight	3.2 mt			3.7 mt				
Boom Type	VA		1 PC			VA		
Stick Length	2.40 m (7'10")	2.60 m (8'6")	2.10 m (6'11")	2.40 m (7'10")	2.60 m (8'6")	2.10 m (6'11")	2.40 m (7'10")	2.60 m (8'6")
G313 GC	✓	✓*	✓	✓	✓	✓	✓	✓
G314	✓*		✓	✓	✓	✓	✓	✓
G317 GC			✓	✓*				
G318								
G318 WH-800								
G318 WH-1100								

### Pin-on, continued

Undercarriage	Rear Blade							
Counterweight	3.2 mt						3.7 mt	
Boom Type	1 PC			VA			1 PC	
Stick Length	2.10 m (6'11")	2.40 m (7'10")	2.60 m (8'6")	2.10 m (6'11")	2.40 m (7'10")	2.60 m (8'6")	2.10 m (6'11")	2.40 m (7'10")
G313 GC	✓	✓	✓	✓	✓*	✓*	✓	✓
G314	✓	✓	✓	✓	✓*		✓	✓
G317 GC							✓*	✓*
G318								
G318 WH-800								
G318 WH-1100								

### Pin-on, continued

Undercarriage	Rear Blade			
Counterweight	3.7 mt			
Boom Type	1 PC	VA		
Stick Length	2.60 m (8'6")	2.10 m (6'11")	2.40 m (7'10")	2.60 m (8'6")
G313 GC	✓	✓	✓	✓
G314	✓	✓	✓	✓
G317 GC				
G318				
G318 WH-800				
G318 WH-1100				

(continued on next page)

# Demolition & Sorting Grapples for Wheeled Excavators

## Matching – Wheeled Excavators (continued)

Match       \* Working range front only       No Match

### M316F, continued Pin Grabber Coupler

Undercarriage	Front (parallel) Blade; Rear Outriggers							
Counterweight	3.2 mt						3.7 mt	
Boom Type	1 PC			VA			1 PC	
Stick Length	2.10 m (6'11")	2.40 m (7'10")	2.60 m (8'6")	2.10 m (6'11")	2.40 m (7'10")	2.60 m (8'6")	2.10 m (6'11")	2.40 m (7'10")
G313 GC	✓	✓	✓	✓	✓	✓	✓	✓
G314	✓	✓	✓	✓	✓	✓	✓	✓
G317 GC	✓	✓			✓		✓	✓
G318 WH-800	✓						✓	

### Pin Grabber Coupler, continued

Undercarriage	Front (parallel) Blade; Rear Outriggers				Front and Rear Outriggers			
Counterweight	3.7 mt				3.2 mt			
Boom Type	1 PC	VA			1 PC			VA
Stick Length	2.60 m (8'6")	2.10 m (6'11")	2.40 m (7'10")	2.60 m (8'6")	2.10 m (6'11")	2.40 m (7'10")	2.60 m (8'6")	2.10 m (6'11")
G313 GC	✓	✓	✓	✓	✓	✓	✓	✓
G314	✓	✓	✓	✓	✓	✓	✓	✓
G317 GC			✓		✓	✓		
G318 WH-800					✓			

### Pin Grabber Coupler, continued

Undercarriage	Front and Rear Outriggers							
Counterweight	3.2 mt			3.7 mt				
Boom Type	VA		1 PC			VA		
Stick Length	2.40 m (7'10")	2.60 m (8'6")	2.10 m (6'11")	2.40 m (7'10")	2.60 m (8'6")	2.10 m (6'11")	2.40 m (7'10")	2.60 m (8'6")
G313 GC	✓	✓	✓	✓	✓	✓	✓	✓
G314	✓	✓	✓	✓	✓	✓	✓	✓
G317 GC	✓		✓	✓			✓	
G318 WH-800			✓					

### Pin Grabber Coupler, continued

Undercarriage	Front Blade; Rear Outriggers							
Counterweight	3.2 mt						3.7 mt	
Boom Type	1 PC			VA			1 PC	
Stick Length	2.10 m (6'11")	2.40 m (7'10")	2.60 m (8'6")	2.10 m (6'11")	2.40 m (7'10")	2.60 m (8'6")	2.10 m (6'11")	2.40 m (7'10")
G313 GC	✓	✓	✓	✓	✓	✓	✓	✓
G314	✓	✓	✓	✓	✓	✓	✓	✓
G317 GC	✓	✓			✓		✓	✓
G318 WH-800	✓						✓	

(continued on next page)

# Demolition & Sorting Grapples for Wheeled Excavators

## Matching – Wheeled Excavators (continued)

Match       \* Working range front only       No Match

### M316F, continued

#### Pin Grabber Coupler, continued

Undercarriage	Front Blade; Rear Outriggers				Rear (parallel) Blade			
Counterweight	3.7 mt				3.2 mt	3.7 mt		
Boom Type	1 PC	VA			1 PC	1 PC		
Stick Length	2.60 m (8'6")	2.10 m (6'11")	2.40 m (7'10")	2.60 m (8'6")	2.10 m (6'11")	2.10 m (6'11")	2.40 m (7'10")	2.60 m (8'6")
G313 GC	✓	✓	✓	✓	✓*	✓	✓*	✓*
G314	✓	✓	✓	✓		✓	✓*	
G317 GC			✓					
G318 WH-800								

#### Pin Grabber Coupler, continued

Undercarriage	Rear (parallel) Blade	Rear Blade			
Counterweight	3.7 mt	3.7 mt			
Boom Type	VA	1 PC			VA
Stick Length	2.10 m (6'11")	2.10 m (6'11")	2.40 m (7'10")	2.60 m (8'6")	2.10 m (6'11")
G313 GC	✓*	✓	✓*	✓*	✓*
G314		✓*			
G317 GC					
G318 WH-800					

#### CW-20s Dedicated Coupler

Undercarriage	Front (parallel) Blade; Rear Outriggers							
Counterweight	3.2 mt						3.7 mt	
Boom Type	1 PC			VA			1 PC	
Stick Length	2.10 m (6'11")	2.40 m (7'10")	2.60 m (8'6")	2.10 m (6'11")	2.40 m (7'10")	2.60 m (8'6")	2.10 m (6'11")	2.40 m (7'10")
G313 GC	✓	✓	✓	✓	✓	✓	✓	✓
G314	✓	✓	✓	✓	✓	✓	✓	✓
G317 GC	✓	✓	✓				✓	✓
G318	✓	✓					✓	✓
G318 WH-800	✓	✓					✓	✓

#### CW-20s Dedicated Coupler, continued

Undercarriage	Front (parallel) Blade; Rear Outriggers				Front and Rear Outriggers			
Counterweight	3.7 mt				3.2 mt			
Boom Type	1 PC	VA			1 PC			VA
Stick Length	2.60 m (8'6")	2.10 m (6'11")	2.40 m (7'10")	2.60 m (8'6")	2.10 m (6'11")	2.40 m (7'10")	2.60 m (8'6")	2.10 m (6'11")
G313 GC	✓	✓	✓	✓	✓	✓	✓	✓
G314	✓	✓	✓	✓	✓	✓	✓	✓
G317 GC	✓				✓	✓	✓	
G318					✓	✓		
G318 WH-800					✓	✓		

(continued on next page)



# Demolition & Sorting Grapples for Wheeled Excavators

## Matching – Wheeled Excavators (continued)

Match
  \* Working range front only
  No Match

### M316F, continued

#### CW-20s Dedicated Coupler, continued

Undercarriage	Front and Rear Outriggers							
Counterweight	3.2 mt				3.7 mt			
Boom Type	VA		1 PC			VA		
Stick Length	2.40 m (7'10")	2.60 m (8'6")	2.10 m (6'11")	2.40 m (7'10")	2.60 m (8'6")	2.10 m (6'11")	2.40 m (7'10")	2.60 m (8'6")
G313 GC	✓	✓	✓	✓	✓	✓	✓	✓
G314	✓	✓	✓	✓	✓	✓	✓	✓
G317 GC			✓	✓	✓			
G318			✓	✓				
G318 WH-800			✓	✓				

#### CW-20s Dedicated Coupler, continued

Undercarriage	Front Blade; Rear Outriggers							
Counterweight	3.2 mt						3.7 mt	
Boom Type	1 PC			VA			1 PC	
Stick Length	2.10 m (6'11")	2.40 m (7'10")	2.60 m (8'6")	2.10 m (6'11")	2.40 m (7'10")	2.60 m (8'6")	2.10 m (6'11")	2.40 m (7'10")
G313 GC	✓	✓	✓	✓	✓	✓	✓	✓
G314	✓	✓	✓	✓	✓	✓	✓	✓
G317 GC	✓	✓	✓				✓	✓
G318	✓	✓					✓	✓
G318 WH-800	✓	✓					✓	✓

#### CW-20s Dedicated Coupler, continued

Undercarriage	Front Blade; Rear Outriggers				Rear (parallel) Blade			
Counterweight	3.7 mt							
Boom Type	1 PC	VA			1 PC			VA
Stick Length	2.60 m (8'6")	2.10 m (6'11")	2.40 m (7'10")	2.60 m (8'6")	2.10 m (6'11")	2.40 m (7'10")	2.60 m (8'6")	2.10 m (6'11")
G313 GC	✓	✓	✓	✓	✓	✓*	✓*	✓*
G314	✓	✓	✓	✓	✓	✓*		
G317 GC	✓							
G318								
G318 WH-800								

#### CW-20s Dedicated Coupler, continued

Undercarriage	Rear (parallel) Blade						Rear Blade	
Counterweight	3.7 mt							
Boom Type	1 PC			VA			1 PC	
Stick Length	2.10 m (6'11")	2.40 m (7'10")	2.60 m (8'6")	2.10 m (6'11")	2.40 m (7'10")	2.60 m (8'6")	2.10 m (6'11")	2.40 m (7'10")
G313 GC	✓	✓	✓	✓	✓	✓*	✓	✓*
G314	✓	✓	✓	✓	✓*		✓*	✓*
G317 GC								
G318								
G318 WH-800								

(continued on next page)

# Demolition & Sorting Grapples for Wheeled Excavators

## Matching – Wheeled Excavators (continued)

Match       \* Working range front only       No Match

### M316F, continued

#### CW-20s Dedicated Coupler, continued

Undercarriage	Rear Blade							
	3.2 mt		3.7 mt					
Counterweight			1 PC			VA		
Boom Type	1 PC	VA						
Stick Length	2.60 m (8'6")	2.10 m (6'11")	2.10 m (6'11")	2.40 m (7'10")	2.60 m (8'6")	2.10 m (6'11")	2.40 m (7'10")	2.60 m (8'6")
G313 GC	✓*	✓*	✓	✓	✓	✓	✓*	✓*
G314			✓	✓	✓	✓	✓*	
G317 GC								
G318								
G318 WH-800								

#### CW-20 Dedicated Coupler

Undercarriage	Front (parallel) Blade; Rear Outriggers							
	3.2 mt						3.7 mt	
Counterweight								
Boom Type	1 PC			VA			1 PC	
Stick Length	2.10 m (6'11")	2.40 m (7'10")	2.60 m (8'6")	2.10 m (6'11")	2.40 m (7'10")	2.60 m (8'6")	2.10 m (6'11")	2.40 m (7'10")
G313 GC	✓	✓	✓	✓	✓	✓	✓	✓
G313 GC-fixed CAN	✓	✓	✓	✓	✓	✓	✓	✓
G314	✓	✓	✓	✓	✓	✓	✓	✓
G317 GC	✓	✓	✓				✓	✓
G317 GC-fixed CAN	✓	✓	✓				✓	✓
G318	✓	✓					✓	✓
G318-fixed CAN	✓	✓					✓	✓
G318 WH-800	✓	✓					✓	✓

#### CW-20 Dedicated Coupler, continued

Undercarriage	Front (parallel) Blade; Rear Outriggers				Front and Rear Outriggers			
	3.7 mt				3.2 mt			
Counterweight								
Boom Type	1 PC	VA		1 PC		VA		
Stick Length	2.60 m (8'6")	2.10 m (6'11")	2.40 m (7'10")	2.60 m (8'6")	2.10 m (6'11")	2.40 m (7'10")	2.60 m (8'6")	2.10 m (6'11")
G313 GC	✓	✓	✓	✓	✓	✓	✓	✓
G313 GC-fixed CAN	✓	✓	✓	✓	✓	✓	✓	✓
G314	✓	✓	✓	✓	✓	✓	✓	✓
G317 GC	✓				✓	✓	✓	
G317 GC-fixed CAN	✓				✓	✓	✓	
G318					✓	✓		
G318-fixed CAN					✓	✓		
G318 WH-800					✓	✓		

(continued on next page)

# Demolition & Sorting Grapples for Wheeled Excavators

## Matching – Wheeled Excavators (continued)

Match
  \* Working range front only
  No Match

### M316F, continued

#### CW-20 Dedicated Coupler, continued

Undercarriage	Front and Rear Outriggers							
Counterweight	3.2 mt			3.7 mt				
Boom Type	VA		1 PC			VA		
Stick Length	2.40 m (7'10")	2.60 m (8'6")	2.10 m (6'11")	2.40 m (7'10")	2.60 m (8'6")	2.10 m (6'11")	2.40 m (7'10")	2.60 m (8'6")
G313 GC	✓	✓	✓	✓	✓	✓	✓	✓
G313 GC-fixed CAN	✓	✓	✓	✓	✓	✓	✓	✓
G314	✓	✓	✓	✓	✓	✓	✓	✓
G317 GC			✓	✓	✓			
G317 GC-fixed CAN			✓	✓	✓			
G318			✓	✓				
G318-fixed CAN			✓	✓				
G318 WH-800			✓	✓				

#### CW-20 Dedicated Coupler, continued

Undercarriage	Front Blade; Rear Outriggers							
Counterweight	3.2 mt						3.7 mt	
Boom Type	1 PC			VA			1 PC	
Stick Length	2.10 m (6'11")	2.40 m (7'10")	2.60 m (8'6")	2.10 m (6'11")	2.40 m (7'10")	2.60 m (8'6")	2.10 m (6'11")	2.40 m (7'10")
G313 GC	✓	✓	✓	✓	✓	✓	✓	✓
G313 GC-fixed CAN	✓	✓	✓	✓	✓	✓	✓	✓
G314	✓	✓	✓	✓	✓	✓	✓	✓
G317 GC	✓	✓	✓				✓	✓
G317 GC-fixed CAN	✓	✓	✓				✓	✓
G318	✓	✓					✓	✓
G318-fixed CAN	✓	✓					✓	✓
G318 WH-800	✓	✓					✓	✓

#### CW-20 Dedicated Coupler, continued

Undercarriage	Front Blade; Rear Outriggers				Rear (parallel) Blade			
Counterweight	3.7 mt							
Boom Type	1 PC		VA		1 PC		VA	
Stick Length	2.60 m (8'6")	2.10 m (6'11")	2.40 m (7'10")	2.60 m (8'6")	2.10 m (6'11")	2.40 m (7'10")	2.60 m (8'6")	2.10 m (6'11")
G313 GC	✓	✓	✓	✓	✓	✓*	✓*	✓*
G313 GC-fixed CAN	✓	✓	✓	✓	✓	✓	✓*	✓*
G314	✓	✓	✓	✓	✓*	✓*		
G317 GC	✓							
G317 GC-fixed CAN	✓							
G318								
G318-fixed CAN								
G318 WH-800								

(continued on next page)

# Demolition & Sorting Grapples for Wheeled Excavators

## Matching – Wheeled Excavators (continued)

Match
  \* Working range front only
  No Match

### M316F, continued

#### CW-20 Dedicated Coupler, continued

Undercarriage	Rear (parallel) Blade						Rear Blade	
	3.7 mt						3.2 mt	
Counterweight	3.7 mt						3.2 mt	
Boom Type	1 PC			VA			1 PC	
Stick Length	2.10 m (6'11")	2.40 m (7'10")	2.60 m (8'6")	2.10 m (6'11")	2.40 m (7'10")	2.60 m (8'6")	2.10 m (6'11")	2.40 m (7'10")
G313 GC	✓	✓	✓	✓	✓*	✓*	✓	✓*
G313 GC-fixed CAN	✓	✓	✓	✓	✓	✓*	✓	✓
G314	✓	✓	✓*	✓*	✓*		✓*	
G317 GC								
G317 GC-fixed CAN								
G318								
G318-fixed CAN								
G318 WH-800								

#### CW-20 Dedicated Coupler, continued

Undercarriage	Rear Blade							
	3.2 mt				3.7 mt			
Counterweight	3.2 mt				3.7 mt			
Boom Type	1 PC		VA		1 PC		VA	
Stick Length	2.60 m (8'6")	2.10 m (6'11")	2.10 m (6'11")	2.40 m (7'10")	2.60 m (8'6")	2.10 m (6'11")	2.40 m (7'10")	2.60 m (8'6")
G313 GC			✓	✓	✓	✓	✓*	✓*
G313 GC-fixed CAN	✓*	✓*	✓	✓	✓	✓	✓	✓*
G314			✓	✓	✓*	✓*	✓*	
G317 GC								
G317 GC-fixed CAN								
G318								
G318-fixed CAN								
G318 WH-800								

#### S60 Dedicated Coupler

Undercarriage	Front (parallel) Blade; Rear Outriggers							
	3.2 mt						3.7 mt	
Counterweight	3.2 mt						3.7 mt	
Boom Type	1 PC			VA			1 PC	
Stick Length	2.10 m (6'11")	2.40 m (7'10")	2.60 m (8'6")	2.10 m (6'11")	2.40 m (7'10")	2.60 m (8'6")	2.10 m (6'11")	2.40 m (7'10")
G313 GC	✓	✓	✓	✓	✓	✓	✓	✓
G314	✓	✓	✓	✓	✓	✓	✓	✓
G317 GC	✓	✓	✓	✓	✓	✓	✓	✓
G318	✓	✓					✓	✓
G318 WH-800	✓	✓	✓				✓	✓
G318 WH-1100	✓						✓	

(continued on next page)

# Demolition & Sorting Grapples for Wheeled Excavators

## Matching – Wheeled Excavators (continued)

Match
  \* Working range front only
  No Match

### M316F, continued

#### S60 Dedicated Coupler, continued

Undercarriage	Front (parallel) Blade; Rear Outriggers				Front and Rear Outriggers			
Counterweight	3.7 mt				3.2 mt			
Boom Type	1 PC	VA			1 PC			VA
Stick Length	2.60 m (8'6")	2.10 m (6'11")	2.40 m (7'10")	2.60 m (8'6")	2.10 m (6'11")	2.40 m (7'10")	2.60 m (8'6")	2.10 m (6'11")
G313 GC	✓	✓	✓	✓	✓	✓	✓	✓
G314	✓	✓	✓	✓	✓	✓	✓	✓
G317 GC	✓	✓	✓	✓	✓	✓	✓	✓
G318					✓	✓		
G318 WH-800	✓				✓	✓	✓	
G318 WH-1100					✓			

#### S60 Dedicated Coupler, continued

Undercarriage	Front and Rear Outriggers							
Counterweight	3.2 mt			3.7 mt				
Boom Type	VA		1 PC			VA		
Stick Length	2.40 m (7'10")	2.60 m (8'6")	2.10 m (6'11")	2.40 m (7'10")	2.60 m (8'6")	2.10 m (6'11")	2.40 m (7'10")	2.60 m (8'6")
G313 GC	✓	✓	✓	✓	✓	✓	✓	✓
G314	✓	✓	✓	✓	✓	✓	✓	✓
G317 GC	✓	✓	✓	✓	✓	✓	✓	✓
G318			✓	✓				
G318 WH-800			✓	✓	✓			
G318 WH-1100			✓					

#### S60 Dedicated Coupler, continued

Undercarriage	Front Blade; Rear Outriggers							
Counterweight	3.2 mt						3.7 mt	
Boom Type	1 PC			VA			1 PC	
Stick Length	2.10 m (6'11")	2.40 m (7'10")	2.60 m (8'6")	2.10 m (6'11")	2.40 m (7'10")	2.60 m (8'6")	2.10 m (6'11")	2.40 m (7'10")
G313 GC	✓	✓	✓	✓	✓	✓	✓	✓
G314	✓	✓	✓	✓	✓	✓	✓	✓
G317 GC	✓	✓	✓	✓	✓	✓	✓	✓
G318	✓	✓					✓	✓
G318 WH-800	✓	✓	✓				✓	✓
G318 WH-1100	✓						✓	

#### S60 Dedicated Coupler, continued

Undercarriage	Front Blade; Rear Outriggers				Rear (parallel) Blade			
Counterweight	3.7 mt				3.2 mt			
Boom Type	1 PC	VA			1 PC			VA
Stick Length	2.60 m (8'6")	2.10 m (6'11")	2.40 m (7'10")	2.60 m (8'6")	2.10 m (6'11")	2.40 m (7'10")	2.60 m (8'6")	2.10 m (6'11")
G313 GC	✓	✓	✓	✓	✓	✓	✓*	✓*
G314	✓	✓	✓	✓	✓	✓*		
G317 GC	✓	✓	✓	✓				
G318								
G318 WH-800	✓							
G318 WH-1100								

(continued on next page)

# Demolition & Sorting Grapples for Wheeled Excavators

## Matching – Wheeled Excavators (continued)

Match       \* Working range front only       No Match

### M316F, continued S60 Dedicated Coupler, continued

Undercarriage	Rear (parallel) Blade						Rear Blade	
	3.7 mt						3.2 mt	
Counterweight	3.7 mt						3.2 mt	
Boom Type	1 PC			VA			1 PC	
Stick Length	2.10 m (6'11")	2.40 m (7'10")	2.60 m (8'6")	2.10 m (6'11")	2.40 m (7'10")	2.60 m (8'6")	2.10 m (6'11")	2.40 m (7'10")
G313 GC	✓	✓	✓	✓	✓	✓*	✓	✓*
G314	✓	✓	✓	✓	✓*		✓*	✓*
G317 GC								
G318								
G318 WH-800								
G318 WH-1100								

### S60 Dedicated Coupler, continued

Undercarriage	Rear Blade							
	3.2 mt		3.7 mt					
Counterweight	3.2 mt		3.7 mt					
Boom Type	1 PC	VA	1 PC			VA		
Stick Length	2.60 m (8'6")	2.10 m (6'11")	2.10 m (6'11")	2.40 m (7'10")	2.60 m (8'6")	2.10 m (6'11")	2.40 m (7'10")	2.60 m (8'6")
G313 GC	✓*	✓*	✓	✓	✓	✓	✓*	✓*
G314			✓	✓	✓	✓	✓*	
G317 GC								
G318								
G318 WH-800								
G318 WH-1100								

### TRS14-CW-30s

Undercarriage	Front (parallel) Blade; Rear Outriggers							
	3.2 mt						3.7 mt	
Counterweight	3.2 mt						3.7 mt	
Boom Type	1 PC			VA			1 PC	
Stick Length	2.10 m (6'11")	2.40 m (7'10")	2.60 m (8'6")	2.10 m (6'11")	2.40 m (7'10")	2.60 m (8'6")	2.10 m (6'11")	2.40 m (7'10")
G212 GC	✓	✓	✓	✓	✓	✓	✓	✓
G212 GC-fixed CAN	✓	✓	✓	✓	✓	✓	✓	✓
G213 GC	✓	✓	✓	✓	✓	✓	✓	✓
G213 GC-fixed CAN	✓	✓	✓	✓	✓	✓	✓	✓

### TRS14-CW-30s, continued

Undercarriage	Front (parallel) Blade; Rear Outriggers				Front and Rear Outriggers			
	3.7 mt				3.2 mt			
Counterweight	3.7 mt				3.2 mt			
Boom Type	1 PC	VA		1 PC		VA		
Stick Length	2.60 m (8'6")	2.10 m (6'11")	2.40 m (7'10")	2.60 m (8'6")	2.10 m (6'11")	2.40 m (7'10")	2.60 m (8'6")	2.10 m (6'11")
G212 GC	✓	✓	✓	✓	✓	✓	✓	✓
G212 GC-fixed CAN	✓	✓	✓	✓	✓	✓	✓	✓
G213 GC	✓	✓	✓	✓	✓	✓	✓	✓
G213 GC-fixed CAN	✓	✓	✓	✓	✓	✓	✓	✓

(continued on next page)

# Demolition & Sorting Grapples for Wheeled Excavators

## Matching – Wheeled Excavators (continued)

Match       \* Working range front only       No Match

### M316F, continued

#### TRS14-CW-30s, continued

Undercarriage	Front and Rear Outriggers							
Counterweight	3.2 mt				3.7 mt			
Boom Type	VA		1 PC			VA		
Stick Length	2.40 m (7'10")	2.60 m (8'6")	2.10 m (6'11")	2.40 m (7'10")	2.60 m (8'6")	2.10 m (6'11")	2.40 m (7'10")	2.60 m (8'6")
G212 GC	✓	✓	✓	✓	✓	✓	✓	✓
G212 GC-fixed CAN	✓	✓	✓	✓	✓	✓	✓	✓
G213 GC	✓	✓	✓	✓	✓	✓	✓	✓
G213 GC-fixed CAN	✓	✓	✓	✓	✓	✓	✓	✓

#### TRS14-CW-30s, continued

Undercarriage	Front Blade; Rear Outriggers							
Counterweight	3.2 mt						3.7 mt	
Boom Type	1 PC			VA			1 PC	
Stick Length	2.10 m (6'11")	2.40 m (7'10")	2.60 m (8'6")	2.10 m (6'11")	2.40 m (7'10")	2.60 m (8'6")	2.10 m (6'11")	2.40 m (7'10")
G212 GC	✓	✓	✓	✓	✓	✓	✓	✓
G212 GC-fixed CAN	✓	✓	✓	✓	✓	✓	✓	✓
G213 GC	✓	✓	✓	✓	✓	✓	✓	✓
G213 GC-fixed CAN	✓	✓	✓	✓	✓	✓	✓	✓

#### TRS14-CW-30s, continued

Undercarriage	Front Blade; Rear Outriggers				Rear (parallel) Blade			
Counterweight	3.7 mt				3.2 mt		3.7 mt	
Boom Type	1 PC	VA		1 PC		1 PC		
Stick Length	2.60 m (8'6")	2.10 m (6'11")	2.40 m (7'10")	2.60 m (8'6")	2.10 m (6'11")	2.40 m (7'10")	2.10 m (6'11")	2.40 m (7'10")
G212 GC	✓	✓	✓	✓	✓*		✓	✓*
G212 GC-fixed CAN	✓	✓	✓	✓	✓*	✓*	✓	✓
G213 GC	✓	✓	✓	✓			✓*	
G213 GC-fixed CAN	✓	✓	✓	✓			✓	✓*

#### TRS14-CW-30s, continued

Undercarriage	Rear (parallel) Blade			Rear Blade				
Counterweight	3.7 mt			3.2 mt	3.7 mt			
Boom Type	1 PC	VA		1 PC	1 PC		VA	
Stick Length	2.60 m (8'6")	2.10 m (6'11")	2.40 m (7'10")	2.10 m (6'11")	2.10 m (6'11")	2.40 m (7'10")	2.60 m (8'6")	2.10 m (6'11")
G212 GC	✓*	✓*			✓	✓*		
G212 GC-fixed CAN	✓	✓	✓*	✓*	✓	✓	✓*	✓*
G213 GC								
G213 GC-fixed CAN	✓*	✓*			✓	✓*		

#### TRS14-CW-30

Undercarriage	Front (parallel) Blade; Rear Outriggers							
Counterweight	3.2 mt						3.7 mt	
Boom Type	1 PC			VA			1 PC	
Stick Length	2.10 m (6'11")	2.40 m (7'10")	2.60 m (8'6")	2.10 m (6'11")	2.40 m (7'10")	2.60 m (8'6")	2.10 m (6'11")	2.40 m (7'10")
G212 GC	✓	✓	✓	✓	✓	✓	✓	✓
G212 GC-fixed CAN	✓	✓	✓	✓	✓	✓	✓	✓
G213 GC	✓	✓	✓	✓	✓	✓	✓	✓
G213 GC-fixed CAN	✓	✓	✓	✓	✓	✓	✓	✓

(continued on next page)

# Demolition & Sorting Grapples for Wheeled Excavators

## Matching – Wheeled Excavators (continued)

Match       \* Working range front only       No Match

### M316F, continued

### TRS14-CW-30, continued

Undercarriage	Front (parallel) Blade; Rear Outriggers				Front and Rear Outriggers			
Counterweight	3.7 mt				3.2 mt			
Boom Type	1 PC	VA			1 PC			VA
Stick Length	2.60 m (8'6")	2.10 m (6'11")	2.40 m (7'10")	2.60 m (8'6")	2.10 m (6'11")	2.40 m (7'10")	2.60 m (8'6")	2.10 m (6'11")
G212 GC	✓	✓	✓	✓	✓	✓	✓	✓
G212 GC-fixed CAN	✓	✓	✓	✓	✓	✓	✓	✓
G213 GC	✓	✓	✓	✓	✓	✓	✓	✓
G213 GC-fixed CAN	✓	✓	✓	✓	✓	✓	✓	✓

### TRS14-CW-30, continued

Undercarriage	Front and Rear Outriggers							
Counterweight	3.2 mt				3.7 mt			
Boom Type	VA		1 PC			VA		
Stick Length	2.40 m (7'10")	2.60 m (8'6")	2.10 m (6'11")	2.40 m (7'10")	2.60 m (8'6")	2.10 m (6'11")	2.40 m (7'10")	2.60 m (8'6")
G212 GC	✓	✓	✓	✓	✓	✓	✓	✓
G212 GC-fixed CAN	✓	✓	✓	✓	✓	✓	✓	✓
G213 GC	✓	✓	✓	✓	✓	✓	✓	✓
G213 GC-fixed CAN	✓	✓	✓	✓	✓	✓	✓	✓

### TRS14-CW-30, continued

Undercarriage	Front Blade; Rear Outriggers							
Counterweight	3.2 mt						3.7 mt	
Boom Type	1 PC			VA			1 PC	
Stick Length	2.10 m (6'11")	2.40 m (7'10")	2.60 m (8'6")	2.10 m (6'11")	2.40 m (7'10")	2.60 m (8'6")	2.10 m (6'11")	2.40 m (7'10")
G212 GC	✓	✓	✓	✓	✓	✓	✓	✓
G212 GC-fixed CAN	✓	✓	✓	✓	✓	✓	✓	✓
G213 GC	✓	✓	✓	✓	✓	✓	✓	✓
G213 GC-fixed CAN	✓	✓	✓	✓	✓	✓	✓	✓

### TRS14-CW-30, continued

Undercarriage	Front Blade; Rear Outriggers				Rear (parallel) Blade			
Counterweight	3.7 mt				3.2 mt	3.7 mt		
Boom Type	1 PC	VA			1 PC	1 PC		
Stick Length	2.60 m (8'6")	2.10 m (6'11")	2.40 m (7'10")	2.60 m (8'6")	2.10 m (6'11")	2.10 m (6'11")	2.40 m (7'10")	2.60 m (8'6")
G212 GC	✓	✓	✓	✓		✓	✓*	
G212 GC-fixed CAN	✓	✓	✓	✓	✓*	✓	✓	✓*
G213 GC	✓	✓	✓	✓				
G213 GC-fixed CAN	✓	✓	✓	✓		✓	✓*	

(continued on next page)



# Demolition & Sorting Grapples for Wheeled Excavators

## Matching – Wheeled Excavators (continued)

Match       \* Working range front only       No Match

### M316F, continued

#### TRS14-CW-30, continued

Undercarriage	Rear (parallel) Blade	Rear Blade				
Counterweight	3.7 mt	3.2 mt	3.7 mt			
Boom Type	VA	1 PC	1 PC			VA
Stick Length	2.10 m (6'11")	2.10 m (6'11")	2.10 m (6'11")	2.40 m (7'10")	2.60 m (8'6")	2.10 m (6'11")
G212 GC			✓*			
G212 GC-fixed CAN	✓*	✓*	✓	✓*	✓*	✓*
G213 GC						
G213 GC-fixed CAN			✓*			

### TRS14-S60

Undercarriage	Front (parallel) Blade; Rear Outriggers							
Counterweight	3.2 mt						3.7 mt	
Boom Type	1 PC			VA			1 PC	
Stick Length	2.10 m (6'11")	2.40 m (7'10")	2.60 m (8'6")	2.10 m (6'11")	2.40 m (7'10")	2.60 m (8'6")	2.10 m (6'11")	2.40 m (7'10")
G212 GC	✓	✓	✓	✓	✓	✓	✓	✓
G213 GC	✓	✓	✓	✓	✓	✓	✓	✓

### TRS14-S60, continued

Undercarriage	Front (parallel) Blade; Rear Outriggers				Front and Rear Outriggers			
Counterweight	3.7 mt				3.2 mt			
Boom Type	1 PC	VA		1 PC		VA		
Stick Length	2.60 m (8'6")	2.10 m (6'11")	2.40 m (7'10")	2.60 m (8'6")	2.10 m (6'11")	2.40 m (7'10")	2.60 m (8'6")	2.10 m (6'11")
G212 GC	✓	✓	✓	✓	✓	✓	✓	✓
G213 GC	✓	✓	✓	✓	✓	✓	✓	✓

### TRS14-S60, continued

Undercarriage	Front and Rear Outriggers							
Counterweight	3.2 mt			3.7 mt				
Boom Type	VA		1 PC			VA		
Stick Length	2.40 m (7'10")	2.60 m (8'6")	2.10 m (6'11")	2.40 m (7'10")	2.60 m (8'6")	2.10 m (6'11")	2.40 m (7'10")	2.60 m (8'6")
G212 GC	✓	✓	✓	✓	✓	✓	✓	✓
G213 GC	✓	✓	✓	✓	✓	✓	✓	✓

### TRS14-S60, continued

Undercarriage	Front Blade; Rear Outriggers							
Counterweight	3.2 mt						3.7 mt	
Boom Type	1 PC			VA			1 PC	
Stick Length	2.10 m (6'11")	2.40 m (7'10")	2.60 m (8'6")	2.10 m (6'11")	2.40 m (7'10")	2.60 m (8'6")	2.10 m (6'11")	2.40 m (7'10")
G212 GC	✓	✓	✓	✓	✓	✓	✓	✓
G213 GC	✓	✓	✓	✓	✓	✓	✓	✓

### TRS14-S60, continued

Undercarriage	Front Blade; Rear Outriggers				Rear (parallel) Blade			
Counterweight	3.7 mt				3.2 mt		3.7 mt	
Boom Type	1 PC	VA		1 PC		1 PC		
Stick Length	2.60 m (8'6")	2.10 m (6'11")	2.40 m (7'10")	2.60 m (8'6")	2.10 m (6'11")	2.40 m (7'10")	2.10 m (6'11")	2.40 m (7'10")
G212 GC	✓	✓	✓	✓	✓	✓*	✓	✓
G213 GC	✓	✓	✓	✓	✓*		✓	✓*

(continued on next page)

# Demolition & Sorting Grapples for Wheeled Excavators

## Matching – Wheeled Excavators (continued)

Match       \* Working range front only       No Match

### M316F, continued TRS14-S60, continued

Undercarriage	Rear (parallel) Blade				Rear Blade			
	3.7 mt				3.2 mt		3.7 mt	
Counterweight	3.7 mt				3.2 mt		3.7 mt	
Boom Type	1 PC	VA		1 PC		1 PC		
Stick Length	2.60 m (8'6")	2.10 m (6'11")	2.40 m (7'10")	2.60 m (8'6")	2.10 m (6'11")	2.40 m (7'10")	2.10 m (6'11")	2.40 m (7'10")
G212 GC	✓	✓	✓*	✓*	✓	✓*	✓	✓
G213 GC	✓*	✓*					✓	✓*

### TRS14-S60, continued

Undercarriage	Rear Blade		
Counterweight	3.7 mt		
Boom Type	1 PC	VA	
Stick Length	2.60 m (8'6")	2.10 m (6'11")	2.40 m (7'10")
G212 GC	✓	✓	✓*
G213 GC		✓*	

### M316 Pin-on

Undercarriage	Front Blade; Rear Outriggers			Front Outriggers; Rear blade			Front and Rear Outriggers	
Counterweight	2.6 mt	3.3 mt		2.6 mt	3.3 mt		2.6 mt	3.3 mt
Boom Type	VA	VA		VA	VA		VA	VA
Stick Length	2.50 m (8'2")	2.20 m (7'3")	2.50 m (8'2")	2.50 m (8'2")	2.20 m (7'3")	2.50 m (8'2")	2.50 m (8'2")	2.20 m (7'3")
G313 GC		✓	✓		✓	✓		✓
G314	✓	✓	✓	✓	✓	✓	✓	✓
G317 GC		✓	✓		✓	✓		✓

### Pin-on, continued

Undercarriage	Front and Rear Outriggers	Rear Blade	
Counterweight	3.3 mt	3.3 mt	
Boom Type	VA	VA	
Stick Length	2.50 m (8'2")	2.20 m (7'3")	2.50 m (8'2")
G313 GC	✓	✓	✓
G314	✓	✓	✓*
G317 GC	✓		

### Pin Grabber Coupler

Undercarriage	Front Blade; Rear Outriggers			Front Outriggers; Rear blade			Front and Rear Outriggers	
Counterweight	2.6 mt	3.3 mt		2.6 mt	3.3 mt		2.6 mt	3.3 mt
Boom Type	VA	VA		VA	VA		VA	VA
Stick Length	2.50 m (8'2")	2.20 m (7'3")	2.50 m (8'2")	2.50 m (8'2")	2.20 m (7'3")	2.50 m (8'2")	2.50 m (8'2")	2.20 m (7'3")
G313 GC		✓	✓		✓	✓		✓
G314	✓	✓	✓	✓	✓	✓	✓	✓
G317 GC			✓			✓		

(continued on next page)

# Demolition & Sorting Grapples for Wheeled Excavators

## Matching – Wheeled Excavators (continued)

Match       \* Working range front only       No Match

### M316, continued Pin Grabber Coupler, continued

Undercarriage	Front and Rear Outriggers
Counterweight	3.3 mt
Boom Type	VA
Stick Length	2.50 m (8'2")
G313 GC	✓
G314	✓
G317 GC	✓

### CW-30s Dedicated Coupler

Undercarriage	Front Blade; Rear Outriggers			Front Outriggers; Rear blade			Rear Blade	
	2.6 mt	3.3 mt		2.6 mt	3.3 mt		3.3 mt	
Boom Type	VA			VA			VA	
Stick Length	2.20 m (7'3")	2.20 m (7'3")	2.50 m (8'2")	2.50 m (8'2")	2.20 m (7'3")	2.50 m (8'2")	2.20 m (7'3")	2.50 m (8'2")
G313 GC	✓	✓	✓	✓	✓	✓	✓*	✓*
G314	✓	✓	✓	✓	✓	✓	✓*	
G317 GC	✓	✓	✓	✓	✓	✓		

### CW-30 Dedicated Coupler

Undercarriage	Front Blade; Rear Outriggers		Front Outriggers; Rear blade		Front and Rear Outriggers		Rear Blade	
	3.3 mt		3.3 mt		3.3 mt		3.3 mt	
Boom Type	VA		VA		VA		VA	
Stick Length	2.20 m (7'3")	2.50 m (8'2")	2.20 m (7'3")	2.50 m (8'2")	2.20 m (7'3")	2.50 m (8'2")	2.20 m (7'3")	2.50 m (8'2")
G313 GC	✓	✓	✓	✓	✓	✓	✓*	
G313 GC-fixed CAN	✓	✓	✓	✓	✓	✓	✓	✓*
G314	✓	✓	✓	✓	✓	✓	✓*	
G317 GC	✓	✓	✓	✓	✓	✓		
G317 GC-fixed CAN		✓		✓		✓		

### S60 Dedicated Coupler

Undercarriage	Front Blade; Rear Outriggers		Front Outriggers; Rear blade		Front and Rear Outriggers		Rear Blade	
	3.3 mt		3.3 mt		3.3 mt		3.3 mt	
Boom Type	VA		VA		VA		VA	
Stick Length	2.20 m (7'3")	2.50 m (8'2")	2.20 m (7'3")	2.50 m (8'2")	2.20 m (7'3")	2.50 m (8'2")	2.20 m (7'3")	2.50 m (8'2")
G313 GC	✓	✓	✓	✓	✓	✓	✓*	✓*
G314	✓	✓	✓	✓	✓	✓	✓*	
G317 GC		✓		✓		✓		

### TRS14-CW-30s

Undercarriage	Front Blade; Rear Outriggers		Front Outriggers; Rear blade		Front and Rear Outriggers	
	3.3 mt		3.3 mt		3.3 mt	
Boom Type	VA		VA		VA	
Stick Length	2.20 m (7'3")	2.50 m (8'2")	2.20 m (7'3")	2.50 m (8'2")	2.20 m (7'3")	2.50 m (8'2")
G212 GC	✓	✓	✓	✓	✓	✓
G212 GC-fixed CAN	✓	✓	✓	✓	✓	✓
G213 GC	✓	✓	✓	✓	✓	✓
G213 GC-fixed CAN	✓	✓	✓	✓	✓	✓

(continued on next page)

# Demolition & Sorting Grapples for Wheeled Excavators

## Matching – Wheeled Excavators (continued)

Match       \* Working range front only       No Match

### M316, continued TRS14-CW-30

Undercarriage	Front Blade; Rear Outriggers		Front Outriggers; Rear blade		Front and Rear Outriggers	
Counterweight	3.3 mt		3.3 mt		3.3 mt	
Boom Type	VA		VA		VA	
Stick Length	2.20 m (7'3")	2.50 m (8'2")	2.20 m (7'3")	2.50 m (8'2")	2.20 m (7'3")	2.50 m (8'2")
G212 GC	✓	✓	✓	✓	✓	✓
G212 GC-fixed CAN	✓	✓	✓	✓	✓	✓
G213 GC	✓	✓	✓	✓	✓	✓
G213 GC-fixed CAN	✓	✓	✓	✓	✓	✓

### TRS14-S60

Undercarriage	Front Blade; Rear Outriggers		Front Outriggers; Rear blade		Front and Rear Outriggers		Rear Blade
Counterweight	3.3 mt		3.3 mt		3.3 mt		3.3 mt
Boom Type	VA		VA		VA		VA
Stick Length	2.20 m (7'3")	2.50 m (8'2")	2.20 m (7'3")	2.50 m (8'2")	2.20 m (7'3")	2.50 m (8'2")	2.20 m (7'3")
G212 GC	✓	✓	✓	✓	✓	✓	✓*
G213 GC	✓	✓	✓	✓	✓	✓	

### M317D2 Pin-on

Undercarriage	Front Outriggers; Rear blade						
Counterweight	3.5 mt			3.9 mt			
Boom Type	1 PC		VA		1 PC	VA	
Stick Length	2.40 m (7'10")	2.60 m (8'6")	2.40 m (7'10")	2.60 m (8'6")	2.60 m (8'6")	2.40 m (7'10")	2.60 m (8'6")
G313 GC	✓	✓	✓	✓	✓	✓	✓
G314	✓	✓	✓	✓	✓	✓	✓
G317 GC	✓	✓	✓	✓	✓	✓	✓
G318	✓		✓			✓	

### Pin-on, continued

Undercarriage	Rear Blade							
Counterweight	3.5 mt				3.9 mt			
Boom Type	1 PC		VA		1 PC		VA	
Stick Length	2.40 m (7'10")	2.60 m (8'6")	2.40 m (7'10")	2.60 m (8'6")	2.40 m (7'10")	2.60 m (8'6")	2.40 m (7'10")	2.60 m (8'6")
G313 GC	✓	✓	✓	✓	✓	✓	✓	✓
G314	✓	✓	✓*	✓*	✓	✓	✓	✓
G317 GC					✓*			
G318								

### Pin Grabber Coupler

Undercarriage	Front Outriggers; Rear blade							
Counterweight	3.5 mt				3.9 mt			
Boom Type	1 PC		VA		1 PC		VA	
Stick Length	2.40 m (7'10")	2.60 m (8'6")	2.40 m (7'10")	2.60 m (8'6")	2.40 m (7'10")	2.60 m (8'6")	2.40 m (7'10")	2.60 m (8'6")
G313 GC	✓	✓	✓	✓	✓	✓	✓	✓
G314	✓	✓	✓	✓	✓	✓	✓	✓
G317 GC	✓		✓		✓		✓	

(continued on next page)

# Demolition & Sorting Grapples for Wheeled Excavators

## Matching – Wheeled Excavators (continued)

Match       \* Working range front only       No Match

### M317D2, continued Pin Grabber Coupler, continued

Undercarriage	Rear Blade	
Counterweight	3.9 mt	
Boom Type	1 PC	
Stick Length	2.40 m (7'10")	2.60 m (8'6")
G313 GC	✓*	✓*
G314	✓*	
G317 GC		

### CW-20s Dedicated Coupler

Undercarriage	Front Outriggers; Rear blade							
Counterweight	3.5 mt				3.9 mt			
Boom Type	1 PC		VA		1 PC		VA	
Stick Length	2.40 m (7'10")	2.60 m (8'6")	2.40 m (7'10")	2.60 m (8'6")	2.40 m (7'10")	2.60 m (8'6")	2.40 m (7'10")	2.60 m (8'6")
G313 GC	✓	✓	✓	✓	✓	✓	✓	✓
G314	✓	✓	✓	✓	✓	✓	✓	✓
G317 GC	✓				✓			

### CW-20s Dedicated Coupler, continued

Undercarriage	Rear Blade						
Counterweight	3.5 mt			3.9 mt			
Boom Type	1 PC		VA	1 PC		VA	
Stick Length	2.40 m (7'10")	2.60 m (8'6")	2.40 m (7'10")	2.40 m (7'10")	2.60 m (8'6")	2.40 m (7'10")	2.60 m (8'6")
G313 GC	✓	✓*	✓*	✓	✓	✓	✓*
G314	✓*			✓	✓	✓*	✓*
G317 GC							

### CW-20 Dedicated Coupler

Undercarriage	Front Outriggers; Rear blade							
Counterweight	3.5 mt				3.9 mt			
Boom Type	1 PC		VA		1 PC		VA	
Stick Length	2.40 m (7'10")	2.60 m (8'6")	2.40 m (7'10")	2.60 m (8'6")	2.40 m (7'10")	2.60 m (8'6")	2.40 m (7'10")	2.60 m (8'6")
G313 GC	✓	✓	✓	✓	✓	✓	✓	✓
G313 GC-fixed CAN	✓	✓	✓	✓	✓	✓	✓	✓
G314	✓	✓	✓	✓	✓	✓	✓	✓
G317 GC	✓				✓			
G317 GC-fixed CAN	✓				✓			

### CW-20 Dedicated Coupler, continued

Undercarriage	Rear Blade						
Counterweight	3.5 mt			3.9 mt			
Boom Type	1 PC		VA	1 PC		VA	
Stick Length	2.40 m (7'10")	2.60 m (8'6")	2.40 m (7'10")	2.40 m (7'10")	2.60 m (8'6")	2.40 m (7'10")	2.60 m (8'6")
G313 GC	✓*	✓*		✓	✓	✓	✓*
G313 GC-fixed CAN	✓	✓*	✓*	✓	✓	✓	✓
G314	✓*			✓	✓*	✓*	
G317 GC							
G317 GC-fixed CAN							

(continued on next page)

# Demolition & Sorting Grapples for Wheeled Excavators

## Matching – Wheeled Excavators (continued)

Match       \* Working range front only       No Match

### M317F

#### Pin-on

Undercarriage	Front (parallel) Blade; Rear Outriggers			Front Outriggers; Rear (parallel) Blade			Rear (parallel) Blade	
Counterweight	4.3 mt			4.3 mt			4.3 mt	
Boom Type	Offset	VA		Offset	VA		Offset	VA
Stick Length	2.45 m (8'0")	2.45 m (8'0")	2.60 m (8'6")	2.45 m (8'0")	2.45 m (8'0")	2.60 m (8'6")	2.45 m (8'0")	2.45 m (8'0")
G313 GC	✓	✓	✓	✓	✓	✓	✓	✓
G314	✓	✓	✓	✓	✓	✓	✓	✓
G317 GC		✓			✓			✓*

#### Pin-on, continued

Undercarriage	Rear (parallel) Blade	Wide Axel - Rear (parallel) Blade		
Counterweight	4.3 mt	4.3 mt		
Boom Type	VA	Offset	VA	
Stick Length	2.60 m (8'6")	2.45 m (8'0")	2.45 m (8'0")	2.60 m (8'6")
G313 GC	✓	✓	✓	✓
G314	✓	✓	✓	✓
G317 GC			✓	

#### Pin Grabber Coupler

Undercarriage	Front (parallel) Blade; Rear Outriggers		Front Outriggers; Rear (parallel) Blade		Rear (parallel) Blade	Wide Axel - Rear (parallel) Blade	
Counterweight	4.3 mt		4.3 mt		4.3 mt	4.3 mt	
Boom Type	Offset	VA	Offset	VA	VA	Offset	VA
Stick Length	2.45 m (8'0")	2.45 m (8'0")	2.45 m (8'0")	2.45 m (8'0")	2.45 m (8'0")	2.45 m (8'0")	2.45 m (8'0")
G313 GC	✓	✓	✓	✓	✓*	✓	✓
G314	✓	✓	✓	✓	✓*	✓*	✓

#### CW-20s Dedicated Coupler

Undercarriage	Front (parallel) Blade; Rear Outriggers			Front Outriggers; Rear (parallel) Blade			Rear (parallel) Blade	
Counterweight	4.3 mt			4.3 mt			4.3 mt	
Boom Type	Offset	VA		Offset	VA		Offset	VA
Stick Length	2.45 m (8'0")	2.45 m (8'0")	2.60 m (8'6")	2.45 m (8'0")	2.45 m (8'0")	2.60 m (8'6")	2.45 m (8'0")	2.45 m (8'0")
G313 GC	✓	✓	✓	✓	✓	✓	✓*	✓
G314	✓	✓		✓	✓		✓*	✓

#### CW-20s Dedicated Coupler, continued

Undercarriage	Rear (parallel) Blade	Wide Axel - Rear (parallel) Blade		
Counterweight	4.3 mt	4.3 mt		
Boom Type	VA	Offset	VA	
Stick Length	2.60 m (8'6")	2.45 m (8'0")	2.45 m (8'0")	2.60 m (8'6")
G313 GC	✓	✓	✓	✓
G314		✓	✓	

(continued on next page)

# Demolition & Sorting Grapples for Wheeled Excavators

## Matching – Wheeled Excavators (continued)

Match       \* Working range front only       No Match

### M317F, continued CW-20 Dedicated Coupler

Undercarriage	Front (parallel Blade; Rear Outriggers)		Front Outriggers; Rear Parallel Blade		Rear (parallel) Blade		Wide Axel - Rear (parallel) Blade	
Counterweight	4.3 mt		4.3 mt		4.3 mt		4.3 mt	
Boom Type	Offset	VA	Offset	VA	Offset	VA	Offset	VA
Stick Length	2.45 m (8'0")	2.45 m (8'0")	2.45 m (8'0")	2.45 m (8'0")	2.45 m (8'0")	2.45 m (8'0")	2.45 m (8'0")	2.45 m (8'0")
G313 GC	✓	✓	✓	✓	✓*	✓	✓	✓
G313 GC-fixed CAN	✓	✓	✓	✓	✓	✓	✓	✓
G314	✓	✓	✓	✓	✓*	✓	✓	✓

### S60 Dedicated Coupler

Undercarriage	Front (parallel) Blade; Rear Outriggers			Front Outriggers; Rear (parallel) Blade			Rear (parallel) Blade	
Counterweight	4.3 mt			4.3 mt			4.3 mt	
Boom Type	Offset	VA		Offset	VA		Offset	VA
Stick Length	2.45 m (8'0")	2.45 m (8'0")	2.60 m (8'6")	2.45 m (8'0")	2.45 m (8'0")	2.60 m (8'6")	2.45 m (8'0")	2.45 m (8'0")
G313 GC	✓	✓	✓	✓	✓	✓	✓	✓
G314	✓	✓	✓	✓	✓	✓	✓*	✓

### S60 Dedicated Coupler, continued

Undercarriage	Rear (parallel) Blade	Wide Axel - Rear (parallel) Blade		
Counterweight	4.3 mt	4.3 mt		
Boom Type	VA	Offset	VA	
Stick Length	2.60 m (8'6")	2.45 m (8'0")	2.45 m (8'0")	2.60 m (8'6")
G313 GC	✓	✓	✓	✓
G314	✓	✓	✓	✓

### TRS14-CW-30s

Undercarriage	Front (parallel) Blade; Rear Outriggers			Front Outriggers; Rear (parallel) Blade			Rear (parallel) Blade	
Counterweight	4.3 mt			4.3 mt			4.3 mt	
Boom Type	Offset	VA		Offset	VA		Offset	VA
Stick Length	2.45 m (8'0")	2.45 m (8'0")	2.60 m (8'6")	2.45 m (8'0")	2.45 m (8'0")	2.60 m (8'6")	2.45 m (8'0")	2.45 m (8'0")
G212 GC	✓	✓	✓	✓	✓	✓		✓*
G212 GC-fixed CAN	✓	✓	✓	✓	✓	✓	✓*	✓
G213 GC-fixed CAN	✓	✓		✓	✓			✓*

### TRS14-CW-30s, continued

Undercarriage	Rear (parallel) Blade	Wide Axel - Rear (parallel) Blade		
Counterweight	4.3 mt	4.3 mt		
Boom Type	VA	Offset	VA	
Stick Length	2.60 m (8'6")	2.45 m (8'0")	2.45 m (8'0")	2.60 m (8'6")
G212 GC		✓	✓	✓
G212 GC-fixed CAN	✓*	✓	✓	✓
G213 GC-fixed CAN		✓	✓	

(continued on next page)

# Demolition & Sorting Grapples for Wheeled Excavators

## Matching – Wheeled Excavators *(continued)*

Match
  \* Working range front only
  No Match

### M317F, *continued* TRS14-CW-30

Undercarriage	Front (parallel) Blade; Rear Outriggers			Front Outriggers; Rear (parallel) Blade			Rear (parallel) Blade	
Counterweight	4.3 mt			4.3 mt			4.3 mt	
Boom Type	Offset	VA		Offset	VA		VA	
Stick Length	2.45 m (8'0")	2.45 m (8'0")	2.60 m (8'6")	2.45 m (8'0")	2.45 m (8'0")	2.60 m (8'6")	2.45 m (8'0")	2.60 m (8'6")
G212 GC	✓	✓		✓	✓		✓*	
G212 GC-fixed CAN	✓	✓	✓	✓	✓	✓	✓	✓*
G213 GC-fixed CAN	✓	✓		✓	✓		✓*	

### TRS14-CW-30, *continued*

Undercarriage	Wide Axle - Rear (parallel) Blade		
Counterweight	4.3 mt		
Boom Type	Offset	VA	
Stick Length	2.45 m (8'0")	2.45 m (8'0")	2.60 m (8'6")
G212 GC	✓*	✓	
G212 GC-fixed CAN	✓	✓	✓
G213 GC-fixed CAN	✓*	✓	

### TRS14-S60

Undercarriage	Front (parallel) Blade; Rear Outriggers			Front Outriggers; Rear (parallel) Blade			Rear (parallel) Blade	
Counterweight	4.3 mt			4.3 mt			4.3 mt	
Boom Type	Offset	VA		Offset	VA		Offset	VA
Stick Length	2.45 m (8'0")	2.45 m (8'0")	2.60 m (8'6")	2.45 m (8'0")	2.45 m (8'0")	2.60 m (8'6")	2.45 m (8'0")	2.45 m (8'0")
G212 GC	✓	✓	✓	✓	✓	✓	✓*	✓
G213 GC	✓	✓	✓	✓	✓	✓		✓*

### TRS14-S60, *continued*

Undercarriage	Rear (parallel) Blade	Wide Axle - Rear (parallel) Blade		
Counterweight	4.3 mt	4.3 mt		
Boom Type	VA	Offset	VA	
Stick Length	2.60 m (8'6")	2.45 m (8'0")	2.45 m (8'0")	2.60 m (8'6")
G212 GC	✓	✓	✓	✓
G213 GC		✓	✓	✓

*(continued on next page)*



# Demolition & Sorting Grapples for Wheeled Excavators

## Matching – Wheeled Excavators (continued)

Match       \* Working range front only       No Match

### M317 Pin-on

Undercarriage	Front and Rear Outriggers		Front Blade; Rear Outriggers		Front Outriggers; Rear Blade		Rear Blade	
Counterweight	4.3 mt		4.3 mt		4.3 mt		4.3 mt	
Boom Type	VA		VA		VA		VA	
Stick Length	2.20 m (7'3")	2.50 m (8'2")	2.20 m (7'3")	2.50 m (8'2")	2.20 m (7'3")	2.50 m (8'2")	2.20 m (7'3")	2.50 m (8'2")
G313 GC	✓	✓	✓	✓	✓	✓	✓	✓
G314	✓	✓	✓	✓	✓	✓	✓	✓*

### CW-30s Dedicated Coupler

Undercarriage	Front and Rear Outriggers	Front Blade; Rear Outriggers	Front Outriggers; Rear Blade	Rear Blade
Counterweight	4.3 mt	4.3 mt	4.3 mt	4.3 mt
Boom Type	VA	VA	VA	VA
Stick Length	2.50 m (8'2")	2.50 m (8'2")	2.50 m (8'2")	2.50 m (8'2")
G313 GC	✓	✓	✓	✓*
G314	✓	✓	✓	

### CW-30 Dedicated Coupler

Undercarriage	Front and Rear Outriggers		Front Blade; Rear Outriggers		Front Outriggers; Rear Blade		Rear Blade	
Counterweight	4.3 mt		4.3 mt		4.3 mt		4.3 mt	
Boom Type	VA		VA		VA		VA	
Stick Length	2.20 m (7'3")	2.50 m (8'2")	2.20 m (7'3")	2.50 m (8'2")	2.20 m (7'3")	2.50 m (8'2")	2.20 m (7'3")	2.50 m (8'2")
G313 GC	✓	✓	✓	✓	✓	✓	✓*	
G313 GC-fixed CAN	✓	✓	✓	✓	✓	✓	✓	✓*
G314	✓	✓	✓	✓	✓	✓	✓*	

### S60 Dedicated Coupler

Undercarriage	Front and Rear Outriggers	Front Blade; Rear Outriggers	Front Outriggers; Rear Blade	Rear Blade
Counterweight	4.3 mt	4.3 mt	4.3 mt	4.3 mt
Boom Type	VA	VA	VA	VA
Stick Length	2.50 m (8'2")	2.50 m (8'2")	2.50 m (8'2")	2.50 m (8'2")
G313 GC	✓	✓	✓	✓*

### TRS14 (Pin-on top/S60 bottom)

Undercarriage	Front and Rear Outriggers	Front Blade; Rear Outriggers	Front Outriggers; Rear Blade
Counterweight	4.3 mt	4.3 mt	4.3 mt
Boom Type	VA	VA	VA
Stick Length	2.50 m (8'2")	2.50 m (8'2")	2.50 m (8'2")
G212 GC	✓	✓	✓

(continued on next page)

# Demolition & Sorting Grapples for Wheeled Excavators

## Matching – Wheeled Excavators (continued)

Match
  \* Working range front only
  No Match

### M318F Pin-on

Undercarriage	Front and Rear Outriggers							
Counterweight	3.4 mt						3.9 mt	
Boom Type	1 PC			VA			1 PC	
Stick Length	2.10 m (6'11")	2.40 m (7'10")	2.60 m (8'6")	2.10 m (6'11")	2.40 m (7'10")	2.60 m (8'6")	2.10 m (6'11")	2.40 m (7'10")
G313 GC	✓	✓	✓	✓	✓	✓	✓	✓
G314	✓	✓	✓	✓	✓	✓	✓	✓
G317 GC	✓	✓	✓	✓	✓	✓	✓	✓
G318	✓	✓	✓	✓	✓	✓	✓	✓
G318 WH-800	✓	✓	✓	✓	✓	✓	✓	✓
G318 WH-1100	✓	✓					✓	✓

### Pin-on, continued

Undercarriage	Front and Rear Outriggers				Front Outriggers.; Rear blade (Wide U/C)			
Counterweight	3.9 mt				3.9 mt			
Boom Type	1 PC	VA			1 PC			VA
Stick Length	2.60 m (8'6")	2.10 m (6'11")	2.40 m (7'10")	2.60 m (8'6")	2.10 m (6'11")	2.40 m (7'10")	2.60 m (8'6")	2.10 m (6'11")
G313 GC	✓	✓	✓	✓	✓	✓	✓	✓
G314	✓	✓	✓	✓	✓	✓	✓	✓
G317 GC	✓	✓	✓	✓	✓	✓	✓	✓
G318	✓	✓	✓	✓	✓	✓	✓	✓
G318 WH-800	✓	✓	✓	✓	✓	✓	✓	✓
G318 WH-1100					✓	✓		

(continued on next page)

# Demolition & Sorting Grapples for Wheeled Excavators

## Matching – Wheeled Excavators (continued)

Match
  \* Working range front only
  No Match

### M318F, continued Pin-on, continued

Undercarriage	Front Outriggers.; Rear blade (Wide U/C)							
Counterweight	3.4 mt				3.9 mt			
Boom Type	VA		1 PC			VA		
Stick Length	2.40 m (7'10")	2.60 m (8'6")	2.10 m (6'11")	2.40 m (7'10")	2.60 m (8'6")	2.10 m (6'11")	2.40 m (7'10")	2.60 m (8'6")
G313 GC	✓	✓	✓	✓	✓	✓	✓	✓
G314	✓	✓	✓	✓	✓	✓	✓	✓
G317 GC	✓	✓	✓	✓	✓	✓	✓	✓
G318	✓	✓	✓	✓	✓	✓	✓	✓
G318 WH-800	✓	✓	✓	✓	✓	✓	✓	✓
G318 WH-1100			✓	✓				

### Pin-on, continued

Undercarriage	Front Outriggers.; Rear blade							
Counterweight	3.4 mt						3.9 mt	
Boom Type	1 PC			VA			1 PC	
Stick Length	2.10 m (6'11")	2.40 m (7'10")	2.60 m (8'6")	2.10 m (6'11")	2.40 m (7'10")	2.60 m (8'6")	2.10 m (6'11")	2.40 m (7'10")
G313 GC	✓	✓	✓	✓	✓	✓	✓	✓
G314	✓	✓	✓	✓	✓	✓	✓	✓
G317 GC	✓	✓	✓	✓	✓	✓	✓	✓
G318	✓	✓	✓	✓	✓	✓	✓	✓
G318 WH-800	✓	✓	✓	✓	✓	✓	✓	✓
G318 WH-1100	✓	✓					✓	✓

### Pin-on, continued

Undercarriage	Front Outriggers.; Rear blade				Rear Blade			
Counterweight	3.9 mt							
Boom Type	1 PC	VA			1 PC			VA
Stick Length	2.60 m (8'6")	2.10 m (6'11")	2.40 m (7'10")	2.60 m (8'6")	2.10 m (6'11")	2.40 m (7'10")	2.60 m (8'6")	2.10 m (6'11")
G313 GC	✓	✓	✓	✓	✓	✓	✓	✓
G314	✓	✓	✓	✓	✓	✓	✓	✓
G317 GC	✓	✓	✓	✓	✓	✓*		
G318	✓	✓	✓	✓				
G318 WH-800	✓	✓	✓	✓	✓*			
G318 WH-1100								

(continued on next page)

# Demolition & Sorting Grapples for Wheeled Excavators

## Matching – Wheeled Excavators (continued)

Match       \* Working range front only       No Match

### M318F, continued Pin-on, continued

Undercarriage	Rear Blade							
Counterweight	3.4 mt				3.9 mt			
Boom Type	VA		1 PC		VA		VA	
Stick Length	2.40 m (7'10")	2.60 m (8'6")	2.10 m (6'11")	2.40 m (7'10")	2.60 m (8'6")	2.10 m (6'11")	2.40 m (7'10")	2.60 m (8'6")
G313 GC	✓	✓	✓	✓	✓	✓	✓	✓
G314	✓	✓	✓	✓	✓	✓	✓	✓
G317 GC			✓	✓	✓	✓	✓*	
G318			✓*					
G318 WH-800			✓	✓*	✓*	✓*		
G318 WH-1100								

### Pin-on, continued

Undercarriage	Rear Blade (Wide U/C)							
Counterweight	3.4 mt						3.9 mt	
Boom Type	1 PC			VA			1 PC	
Stick Length	2.10 m (6'11")	2.40 m (7'10")	2.60 m (8'6")	2.10 m (6'11")	2.40 m (7'10")	2.60 m (8'6")	2.10 m (6'11")	2.40 m (7'10")
G313 GC	✓	✓	✓	✓	✓	✓	✓	✓
G314	✓	✓	✓	✓	✓	✓	✓	✓
G317 GC	✓	✓	✓	✓	✓*	✓*	✓	✓
G318	✓	✓*					✓	✓
G318 WH-800	✓	✓	✓*	✓*			✓	✓
G318 WH-1100							✓*	

### Pin-on, continued

Undercarriage	Rear Blade (Wide U/C)			
Counterweight	3.9 mt			
Boom Type	1 PC	VA		
Stick Length	2.60 m (8'6")	2.10 m (6'11")	2.40 m (7'10")	2.60 m (8'6")
G313 GC	✓	✓	✓	✓
G314	✓	✓	✓	✓
G317 GC	✓	✓	✓	✓
G318	✓	✓	✓*	
G318 WH-800	✓	✓	✓	✓*
G318 WH-1100				

### Pin Grabber Coupler

Undercarriage	Front and Rear Outriggers							
Counterweight	3.4 mt						3.9 mt	
Boom Type	1 PC			VA			1 PC	
Stick Length	2.10 m (6'11")	2.40 m (7'10")	2.60 m (8'6")	2.10 m (6'11")	2.40 m (7'10")	2.60 m (8'6")	2.10 m (6'11")	2.40 m (7'10")
G313 GC	✓	✓	✓	✓	✓	✓	✓	✓
G314	✓	✓	✓	✓	✓	✓	✓	✓
G317 GC	✓	✓			✓		✓	✓
G318	✓						✓	
G318 WH-800	✓						✓	

(continued on next page)

# Demolition & Sorting Grapples for Wheeled Excavators

## Matching – Wheeled Excavators (continued)

Match
  \* Working range front only
  No Match

### M318F, continued

#### Pin Grabber Coupler, continued

Undercarriage	Front and Rear Outriggers				Front Outr.; Rear bl. (Wide U/C)			
Counterweight	3.9 mt				3.4 mt			
Boom Type	1 PC	VA			1 PC			VA
Stick Length	2.60 m (8'6")	2.10 m (6'11")	2.40 m (7'10")	2.60 m (8'6")	2.10 m (6'11")	2.40 m (7'10")	2.60 (8'6")	2.10 m (6'11")
G313 GC	✓	✓	✓	✓	✓	✓	✓	✓
G314	✓	✓	✓	✓	✓	✓	✓	✓
G317 GC			✓		✓	✓		
G318					✓			
G318 WH-800					✓			

#### Pin Grabber Coupler, continued

Undercarriage	Front Outriggers.; Rear blade (Wide U/C)							
Counterweight	3.4 mt			3.9 mt				
Boom Type	VA		1 PC			VA		
Stick Length	2.40 m (7'10")	2.60 m (8'6")	2.10 m (6'11")	2.40 m (7'10")	2.60 m (8'6")	2.10 m (6'11")	2.40 m (7'10")	2.60 m (8'6")
G313 GC	✓	✓	✓	✓	✓	✓	✓	✓
G314	✓	✓	✓	✓	✓	✓	✓	✓
G317 GC	✓		✓	✓			✓	
G318			✓					
G318 WH-800			✓					

#### Pin Grabber Coupler, continued

Undercarriage	Front Outriggers; Rear blade							
Counterweight	3.4 mt						3.9 mt	
Boom Type	1 PC			VA			1 PC	
Stick Length	2.10 m (6'11")	2.40 m (7'10")	2.60 m (8'6")	2.10 m (6'11")	2.40 m (7'10")	2.60 m (8'6")	2.10 m (6'11")	2.40 m (7'10")
G313 GC	✓	✓	✓	✓	✓	✓	✓	✓
G314	✓	✓	✓	✓	✓	✓	✓	✓
G317 GC	✓	✓			✓		✓	✓
G318	✓						✓	
G318 WH-800	✓						✓	

#### Pin Grabber Coupler, continued

Undercarriage	Front Outriggers; Rear blade				Rear Blade			
Counterweight	3.9 mt				3.4 mt			
Boom Type	1 PC	VA			1 PC			VA
Stick Length	2.60 m (8'6")	2.10 m (6'11")	2.40 m (7'10")	2.60 m (8'6")	2.10 m (6'11")	2.40 m (7'10")	2.60 m (8'6")	2.10 m (6'11")
G313 GC	✓	✓	✓	✓	✓	✓	✓*	✓*
G314	✓	✓	✓	✓	✓	✓*		
G317 GC			✓					
G318								
G318 WH-800								

(continued on next page)

# Demolition & Sorting Grapples for Wheeled Excavators

## Matching – Wheeled Excavators (continued)

Match       \* Working range front only       No Match

### M318F, continued Pin Grabber Coupler, continued

Undercarriage	Rear Blade						Rear Blade (Wide U/C)	
Counterweight	3.9 mt						3.4 mt	
Boom Type	1 PC			VA			1 PC	
Stick Length	2.10 m (6'11")	2.40 m (7'10")	2.60 m (8'6")	2.10 m (6'11")	2.40 m (7'10")	2.60 m (8'6")	2.10 m (6'11")	2.40 m (7'10")
G313 GC	✓	✓	✓	✓	✓	✓*	✓	✓
G314	✓	✓	✓	✓	✓*		✓	✓
G317 GC							✓*	
G318								
G318 WH-800								

### Pin Grabber Coupler, continued

Undercarriage	Rear Blade (Wide U/C)							
Counterweight	3.4 mt				3.9 mt			
Boom Type	1 PC	VA			1 PC			VA
Stick Length	2.60 m (8'6")	2.10 m (6'11")	2.40 m (7'10")	2.60 m (8'6")	2.10 m (6'11")	2.40 m (7'10")	2.60 m (8'6")	2.10 m (6'11")
G313 GC	✓	✓	✓	✓*	✓	✓	✓	✓
G314	✓	✓	✓*	✓*	✓	✓	✓	✓
G317 GC					✓	✓*		
G318								
G318 WH-800					✓*			

### Pin Grabber Coupler, continued

Undercarriage	Rear Blade (Wide U/C)	
Counterweight	3.9 mt	
Boom Type	VA	
Stick Length	2.40 m (7'10")	2.60 m (8'6")
G313 GC	✓	✓
G314	✓	✓
G317 GC		
G318		
G318 WH-800		

### CW-20s Dedicated Coupler

Undercarriage	Front and Rear Outriggers							
Counterweight	3.4 mt						3.9 mt	
Boom Type	1 PC			VA			1 PC	
Stick Length	2.10 m (6'11")	2.40 m (7'10")	2.60 m (8'6")	2.10 m (6'11")	2.40 m (7'10")	2.60 m (8'6")	2.10 m (6'11")	2.40 m (7'10")
G313 GC	✓	✓	✓	✓	✓	✓	✓	✓
G314	✓	✓	✓	✓	✓	✓	✓	✓
G317 GC	✓	✓	✓				✓	✓
G318	✓	✓	✓				✓	✓
G318 WH-800	✓	✓					✓	✓

(continued on next page)

# Demolition & Sorting Grapples for Wheeled Excavators

## Matching – Wheeled Excavators (continued)

Match       \* Working range front only       No Match

### M318F, continued

#### CW-20s Dedicated Coupler, continued

Undercarriage	Front and Rear Outriggers				Front Outriggers; Rear blade (Wide U/C)			
Counterweight	3.9 mt				3.4 mt			
Boom Type	1 PC	VA			1 PC			VA
Stick Length	2.60 m (8'6")	2.10 m (6'11")	2.40 m (7'10")	2.60 m (8'6")	2.10 m (6'11")	2.40 m (7'10")	2.60 m (8'6")	2.10 m (6'11")
G313 GC	✓	✓	✓	✓	✓	✓	✓	✓
G314	✓	✓	✓	✓	✓	✓	✓	✓
G317 GC	✓				✓	✓	✓	
G318	✓				✓	✓		
G318 WH-800					✓	✓		

#### CW-20s Dedicated Coupler, continued

Undercarriage	Front Outr.; Rear bl. (Wide U/C)							
Counterweight	3.4 mt			3.9 mt				
Boom Type	VA		1 PC			VA		
Stick Length	2.40 m (7'10")	2.60 m (8'6")	2.10 m (6'11")	2.40 m (7'10")	2.60 m (8'6")	2.10 m (6'11")	2.40 m (7'10")	2.60 m (8'6")
G313 GC	✓	✓	✓	✓	✓	✓	✓	✓
G314	✓	✓	✓	✓	✓	✓	✓	✓
G317 GC			✓	✓	✓			
G318			✓	✓				
G318 WH-800			✓	✓				

#### CW-20s Dedicated Coupler, continued

Undercarriage	Front Outriggers; Rear blade							
Counterweight	3.4 mt						3.9 mt	
Boom Type	1 PC			VA			1 PC	
Stick Length	2.10 m (6'11")	2.40 m (7'10")	2.60 m (8'6")	2.10 m (6'11")	2.40 m (7'10")	2.60 m (8'6")	2.10 m (6'11")	2.40 m (7'10")
G313 GC	✓	✓	✓	✓	✓	✓	✓	✓
G314	✓	✓	✓	✓	✓	✓	✓	✓
G317 GC	✓	✓	✓				✓	✓
G318	✓	✓	✓				✓	✓
G318 WH-800	✓	✓					✓	✓

#### CW-20s Dedicated Coupler, continued

Undercarriage	Front Outriggers; Rear blade				Rear Blade			
Counterweight	3.9 mt				3.4 mt			
Boom Type	1 PC	VA			1 PC			VA
Stick Length	2.60 m (8'6")	2.10 m (6'11")	2.40 m (7'10")	2.60 m (8'6")	2.10 m (6'11")	2.40 m (7'10")	2.60 m (8'6")	2.10 m (6'11")
G313 GC	✓	✓	✓	✓	✓	✓	✓	✓
G314	✓	✓	✓	✓	✓	✓	✓	✓
G317 GC	✓							
G318	✓							
G318 WH-800								

(continued on next page)

# Demolition & Sorting Grapples for Wheeled Excavators

## Matching – Wheeled Excavators (continued)

Match       \* Working range front only       No Match

### M318F, continued

#### CW-20s Dedicated Coupler, continued

Undercarriage	Rear Blade							
Counterweight	3.4 mt				3.9 mt			
Boom Type	VA		1 PC		VA		VA	
Stick Length	2.40 m (7'10")	2.60 m (8'6")	2.10 m (6'11")	2.40 m (7'10")	2.60 m (8'6")	2.10 m (6'11")	2.40 m (7'10")	2.60 m (8'6")
G313 GC	✓	✓*	✓	✓	✓	✓	✓	✓
G314	✓*		✓	✓	✓	✓	✓	✓
G317 GC			✓	✓*				
G318								
G318 WH-800			✓*					

#### CW-20s Dedicated Coupler, continued

Undercarriage	Rear Blade (Wide U/C)							
Counterweight	3.4 mt				3.9 mt			
Boom Type	1 PC			VA			1 PC	
Stick Length	2.10 m (6'11")	2.40 m (7'10")	2.60 m (8'6")	2.10 m (6'11")	2.40 m (7'10")	2.60 m (8'6")	2.10 m (6'11")	2.40 m (7'10")
G313 GC	✓	✓	✓	✓	✓	✓	✓	✓
G314	✓	✓	✓	✓	✓	✓	✓	✓
G317 GC	✓	✓*	✓*				✓	✓
G318							✓	✓*
G318 WH-800	✓*						✓	✓

#### CW-20s Dedicated Coupler, continued

Undercarriage	Rear Blade (Wide U/C)			
Counterweight	3.9 mt			
Boom Type	1 PC	VA		
Stick Length	2.60 m (8'6")	2.10 m (6'11")	2.40 m (7'10")	2.60 m (8'6")
G313 GC	✓	✓	✓	✓
G314	✓	✓	✓	✓
G317 GC	✓			
G318				
G318 WH-800				

#### CW-20 Dedicated Coupler

Undercarriage	Front and Rear Outriggers							
Counterweight	3.4 mt				3.9 mt			
Boom Type	1 PC			VA			1 PC	
Stick Length	2.10 m (6'11")	2.40 m (7'10")	2.60 m (8'6")	2.10 m (6'11")	2.40 m (7'10")	2.60 m (8'6")	2.10 m (6'11")	2.40 m (7'10")
G313 GC	✓	✓	✓	✓	✓	✓	✓	✓
G313 GC-fixed CAN	✓	✓	✓	✓	✓	✓	✓	✓
G314	✓	✓	✓	✓	✓	✓	✓	✓
G317 GC	✓	✓	✓				✓	✓
G317 GC-fixed CAN	✓	✓	✓				✓	✓
G318	✓	✓	✓				✓	✓
G318-fixed CAN	✓	✓	✓				✓	✓
G318 WH-800	✓	✓					✓	✓

(continued on next page)



# Demolition & Sorting Grapples for Wheeled Excavators

## Matching – Wheeled Excavators (continued)

Match
  \* Working range front only
  No Match

### M318F, continued

#### CW-20 Dedicated Coupler, continued

Undercarriage	Front and Rear Outriggers				Front Outriggers; Rear blade (Wide U/C)			
Counterweight	3.9 mt				3.4 mt			
Boom Type	1 PC	VA			1 PC			VA
Stick Length	2.60 m (8'6")	2.10 m (6'11")	2.40 m (7'10")	2.60 m (8'6")	2.10 m (6'11")	2.40 m (7'10")	2.60 m (8'6")	2.10 m (6'11")
G313 GC	✓	✓	✓	✓	✓	✓	✓	✓
G313 GC-fixed CAN	✓	✓	✓	✓	✓	✓	✓	✓
G314	✓	✓	✓	✓	✓	✓	✓	✓
G317 GC	✓				✓	✓	✓	
G317 GC-fixed CAN	✓				✓	✓	✓	
G318	✓				✓	✓		
G318-fixed CAN	✓				✓	✓		
G318 WH-800					✓	✓		

#### CW-20 Dedicated Coupler, continued

Undercarriage	Front Outriggers; Rear blade (Wide U/C)							
Counterweight	3.4 mt		3.9 mt					
Boom Type	VA		1 PC			VA		
Stick Length	2.40 m (7'10")	2.60 m (8'6")	2.10 m (6'11")	2.40 m (7'10")	2.60 m (8'6")	2.10 m (6'11")	2.40 m (7'10")	2.60 m (8'6")
G313 GC	✓	✓	✓	✓	✓	✓	✓	✓
G313 GC-fixed CAN	✓	✓	✓	✓	✓	✓	✓	✓
G314	✓	✓	✓	✓	✓	✓	✓	✓
G317 GC			✓	✓	✓			
G317 GC-fixed CAN			✓	✓	✓			
G318			✓	✓				
G318-fixed CAN			✓	✓				
G318 WH-800			✓	✓				

#### CW-20 Dedicated Coupler, continued

Undercarriage	Front Outriggers; Rear blade							
Counterweight	3.4 mt						3.9 mt	
Boom Type	1 PC			VA			1 PC	
Stick Length	2.10 m (6'11")	2.40 m (7'10")	2.60 m (8'6")	2.10 m (6'11")	2.40 m (7'10")	2.60 m (8'6")	2.10 m (6'11")	2.40 m (7'10")
G313 GC	✓	✓	✓	✓	✓	✓	✓	✓
G313 GC-fixed CAN	✓	✓	✓	✓	✓	✓	✓	✓
G314	✓	✓	✓	✓	✓	✓	✓	✓
G317 GC	✓	✓	✓				✓	✓
G317 GC-fixed CAN	✓	✓	✓				✓	✓
G318	✓	✓	✓				✓	✓
G318-fixed CAN	✓	✓	✓				✓	✓
G318 WH-800	✓	✓					✓	✓

(continued on next page)

# Demolition & Sorting Grapples for Wheeled Excavators

## Matching – Wheeled Excavators (continued)

Match       \* Working range front only       No Match

### M318F, continued

#### CW-20 Dedicated Coupler, continued

Undercarriage	Front Outriggers; Rear blade				Rear Blade			
Counterweight	3.9 mt				3.4 mt			
Boom Type	1 PC	VA			1 PC			VA
Stick Length	2.60 m (8'6")	2.10 m (6'11")	2.40 m (7'10")	2.60 m (8'6")	2.10 m (6'11")	2.40 m (7'10")	2.60 m (8'6")	2.10 m (6'11")
G313 GC	✓	✓	✓	✓	✓	✓	✓	✓
G313 GC-fixed CAN	✓	✓	✓	✓	✓	✓	✓	✓
G314	✓	✓	✓	✓	✓	✓	✓	✓
G317 GC	✓							
G317 GC-fixed CAN	✓				✓*			
G318	✓							
G318-fixed CAN	✓							
G318 WH-800								

#### CW-20 Dedicated Coupler, continued

Undercarriage	Rear Blade							
Counterweight	3.4 mt		3.9 mt					
Boom Type	VA		1 PC			VA		
Stick Length	2.40 m (7'10")	2.60 m (8'6")	2.10 m (6'11")	2.40 m (7'10")	2.60 m (8'6")	2.10 m (6'11")	2.40 m (7'10")	2.60 m (8'6")
G313 GC	✓*	✓*	✓	✓	✓	✓	✓	✓
G313 GC-fixed CAN	✓	✓*	✓	✓	✓	✓	✓	✓
G314	✓*		✓	✓	✓	✓	✓	✓
G317 GC			✓*	✓*				
G317 GC-fixed CAN			✓	✓*	✓*			
G318								
G318-fixed CAN								
G318 WH-800								

#### CW-20 Dedicated Coupler, continued

Undercarriage	Rear Blade (Wide U/C)							
Counterweight	3.4 mt						3.9 mt	
Boom Type	1 PC			VA			1 PC	
Stick Length	2.10 m (6'11")	2.40 m (7'10")	2.60 m (8'6")	2.10 m (6'11")	2.40 m (7'10")	2.60 m (8'6")	2.10 m (6'11")	2.40 m (7'10")
G313 GC	✓	✓	✓	✓	✓	✓	✓	✓
G313 GC-fixed CAN	✓	✓	✓	✓	✓	✓	✓	✓
G314	✓	✓	✓	✓	✓	✓	✓	✓
G317 GC	✓	✓*					✓	✓
G317 GC-fixed CAN	✓	✓	✓*				✓	✓
G318							✓*	✓*
G318-fixed CAN							✓	✓*
G318 WH-800	✓*						✓	✓*

(continued on next page)

# Demolition & Sorting Grapples for Wheeled Excavators

## Matching – Wheeled Excavators (continued)

Match       \* Working range front only       No Match

### M318F, continued

#### CW-20 Dedicated Coupler, continued

Undercarriage	Rear Blade (Wide U/C)			
Counterweight	3.9 mt			
Boom Type	1 PC	VA		
Stick Length	2.60 m (8'6")	2.10 m (6'11")	2.40 m (7'10")	2.60 m (8'6")
G313 GC	✓	✓	✓	✓
G313 GC-fixed CAN	✓	✓	✓	✓
G314	✓	✓	✓	✓
G317 GC	✓			
G317 GC-fixed CAN	✓			
G318				
G318-fixed CAN				
G318 WH-800				

#### S60 Dedicated Coupler

Undercarriage	Front and Rear Outriggers							
Counterweight	3.4 mt						3.9 mt	
Boom Type	1 PC			VA			1 PC	
Stick Length	2.10 m (6'11")	2.40 m (7'10")	2.60 m (8'6")	2.10 m (6'11")	2.40 m (7'10")	2.60 m (8'6")	2.10 m (6'11")	2.40 m (7'10")
G313 GC	✓	✓	✓	✓	✓	✓	✓	✓
G314	✓	✓	✓	✓	✓	✓	✓	✓
G317 GC	✓	✓	✓	✓	✓	✓	✓	✓
G318	✓	✓					✓	✓
G318 WH-800	✓	✓	✓				✓	✓
G318 WH-1100	✓						✓	

#### S60 Dedicated Coupler, continued

Undercarriage	Front and Rear Outriggers				Front Outriggers; Rear blade (Wide U/C)			
Counterweight	3.9 mt				3.4 mt			
Boom Type	1 PC	VA			1 PC			VA
Stick Length	2.60 m (8'6")	2.10 m (6'11")	2.40 m (7'10")	2.60 m (8'6")	2.10 m (6'11")	2.40 m (7'10")	2.60 m (8'6")	2.10 m (6'11")
G313 GC	✓	✓	✓	✓	✓	✓	✓	✓
G314	✓	✓	✓	✓	✓	✓	✓	✓
G317 GC	✓	✓	✓	✓	✓	✓	✓	✓
G318					✓	✓		
G318 WH-800	✓				✓	✓	✓	
G318 WH-1100					✓			

(continued on next page)

# Demolition & Sorting Grapples for Wheeled Excavators

## Matching – Wheeled Excavators (continued)

Match       \* Working range front only       No Match

### M318F, continued S60 Dedicated Coupler, continued

Undercarriage	Front Outriggers; Rear blade (Wide U/C)							
Counterweight	3.4 mt				3.9 mt			
Boom Type	VA		1 PC			VA		
Stick Length	2.40 m (7'10")	2.60 m (8'6")	2.10 m (6'11")	2.40 m (7'10")	2.60 m (8'6")	2.10 m (6'11")	2.40 m (7'10")	2.60 m (8'6")
G313 GC	✓	✓	✓	✓	✓	✓	✓	✓
G314	✓	✓	✓	✓	✓	✓	✓	✓
G317 GC	✓	✓	✓	✓	✓	✓	✓	✓
G318			✓	✓				
G318 WH-800			✓	✓	✓			
G318 WH-1100			✓					

### S60 Dedicated Coupler, continued

Undercarriage	Front Outriggers; Rear blade							
Counterweight	3.4 mt						3.9 mt	
Boom Type	1 PC			VA			1 PC	
Stick Length	2.10 m (6'11")	2.40 m (7'10")	2.60 m (8'6")	2.10 m (6'11")	2.40 m (7'10")	2.60 m (8'6")	2.10 m (6'11")	2.40 m (7'10")
G313 GC	✓	✓	✓	✓	✓	✓	✓	✓
G314	✓	✓	✓	✓	✓	✓	✓	✓
G317 GC	✓	✓	✓	✓	✓	✓	✓	✓
G318	✓	✓					✓	✓
G318 WH-800	✓	✓	✓				✓	✓
G318 WH-1100	✓						✓	

### S60 Dedicated Coupler, continued

Undercarriage	Front Outriggers; Rear blade				Rear Blade			
Counterweight	3.9 mt				3.4 mt			
Boom Type	1 PC		VA		1 PC		VA	
Stick Length	2.60 m (8'6")	2.10 m (6'11")	2.40 m (7'10")	2.60 m (8'6")	2.10 m (6'11")	2.40 m (7'10")	2.60 m (8'6")	2.10 m (6'11")
G313 GC	✓	✓	✓	✓	✓	✓	✓	✓
G314	✓	✓	✓	✓	✓	✓	✓	✓
G317 GC	✓	✓	✓	✓				
G318								
G318 WH-800	✓							
G318 WH-1100								

### S60 Dedicated Coupler, continued

Undercarriage	Rear Blade							
Counterweight	3.4 mt				3.9 mt			
Boom Type	VA		1 PC			VA		
Stick Length	2.40 m (7'10")	2.60 m (8'6")	2.10 m (6'11")	2.40 (7'10")	2.60 m (8'6")	2.10 m (6'11")	2.40 m (7'10")	2.60 m (8'6")
G313 GC	✓	✓*	✓	✓	✓	✓	✓	✓
G314	✓*	✓*	✓	✓	✓	✓	✓	✓
G317 GC			✓	✓*		✓*		
G318								
G318 WH-800			✓*					
G318 WH-1100								

continued on next page)

# Demolition & Sorting Grapples for Wheeled Excavators

## Matching – Wheeled Excavators (continued)

Match       \* Working range front only       No Match

### M318F, continued

#### S60 Dedicated Coupler, continued

Undercarriage	Rear Blade (Wide U/C)							
	3.4 mt						3.9 mt	
Counterweight	1 PC		VA				1 PC	
Boom Type	1 PC		VA				1 PC	
Stick Length	2.10 m (6'11")	2.40 m (7'10")	2.60 m (8'6")	2.10 m (6'11")	2.40 m (7'10")	2.60 m (8'6")	2.10 m (6'11")	2.40 m (7'10")
G313 GC	✓	✓	✓	✓	✓	✓	✓	✓
G314	✓	✓	✓	✓	✓	✓	✓	✓
G317 GC	✓	✓*	✓*	✓*			✓	✓
G318							✓	✓*
G318 WH-800	✓*						✓	✓
G318 WH-1100								

#### S60 Dedicated Coupler, continued

Undercarriage	Rear Blade (Wide U/C)			
	3.9 mt			
Counterweight	1 PC		VA	
Boom Type	1 PC		VA	
Stick Length	2.60 m (8'6")	2.10 m (6'11")	2.40 m (7'10")	2.60 m (8'6")
G313 GC	✓	✓	✓	✓
G314	✓	✓	✓	✓
G317 GC	✓	✓	✓*	✓*
G318				
G318 WH-800	✓*			
G318 WH-1100				

### TRS14-CW-30s

Undercarriage	Front and Rear Outriggers							
	3.4 mt						3.9 mt	
Counterweight	1 PC		VA				1 PC	
Boom Type	1 PC		VA				1 PC	
Stick Length	2.10 m (6'11")	2.40 m (7'10")	2.60 m (8'6")	2.10 m (6'11")	2.40 m (7'10")	2.60 m (8'6")	2.10 m (6'11")	2.40 m (7'10")
G212 GC	✓	✓	✓	✓	✓	✓	✓	✓
G212 GC-fixed CAN	✓	✓	✓	✓	✓	✓	✓	✓
G213 GC	✓	✓	✓	✓	✓	✓	✓	✓
G213 GC-fixed CAN	✓	✓	✓	✓	✓	✓	✓	✓

#### TRS14-CW-30s, continued

Undercarriage	Front and Rear Outriggers				Front Outriggers; Rear blade (Wide U/C)			
	3.9 mt				3.4 mt			
Counterweight	1 PC		VA		1 PC		VA	
Boom Type	1 PC		VA		1 PC		VA	
Stick Length	2.60 m (8'6")	2.10 m (6'11")	2.40 m (7'10")	2.60 m (8'6")	2.10 m (6'11")	2.40 m (7'10")	2.60 m (8'6")	2.10 m (6'11")
G212 GC	✓	✓	✓	✓	✓	✓	✓	✓
G212 GC-fixed CAN	✓	✓	✓	✓	✓	✓	✓	✓
G213 GC	✓	✓	✓	✓	✓	✓	✓	✓
G213 GC-fixed CAN	✓	✓	✓	✓	✓	✓	✓	✓

(continued on next page)

# Demolition & Sorting Grapples for Wheeled Excavators

## Matching – Wheeled Excavators (continued)

Match
  \* Working range front only
  No Match

### M318F, continued TRS14-CW-30s, continued

Undercarriage	Front Outriggers; Rear blade (Wide U/C)							
Counterweight	3.4 mt				3.9 mt			
Boom Type	VA		1 PC			VA		
Stick Length	2.40 m (7'10")	2.60 m (8'6")	2.10 m (6'11")	2.40 m (7'10")	2.60 m (8'6")	2.10 m (6'11")	2.40 m (7'10")	2.60 m (8'6")
G212 GC	✓	✓	✓	✓	✓	✓	✓	✓
G212 GC-fixed CAN	✓	✓	✓	✓	✓	✓	✓	✓
G213 GC	✓	✓	✓	✓	✓	✓	✓	✓
G213 GC-fixed CAN	✓	✓	✓	✓	✓	✓	✓	✓

### TRS14-CW-30s, continued

Undercarriage	Front Outriggers; Rear blade							
Counterweight	3.4 mt						3.9 mt	
Boom Type	1 PC			VA			1 PC	
Stick Length	2.10 m (6'11")	2.40 m (7'10")	2.60 m (8'6")	2.10 m (6'11")	2.40 m (7'10")	2.60 m (8'6")	2.10 m (6'11")	2.40 m (7'10")
G212 GC	✓	✓	✓	✓	✓	✓	✓	✓
G212 GC-fixed CAN	✓	✓	✓	✓	✓	✓	✓	✓
G213 GC	✓	✓	✓	✓	✓	✓	✓	✓
G213 GC-fixed CAN	✓	✓	✓	✓	✓	✓	✓	✓

### TRS14-CW-30s, continued

Undercarriage	Front Outriggers; Rear blade				Rear Blade			
Counterweight	3.9 mt				3.4 mt			
Boom Type	1 PC	VA			1 PC			VA
Stick Length	2.60 m (8'6")	2.10 m (6'11")	2.40 m (7'10")	2.60 m (8'6")	2.10 m (6'11")	2.40 m (7'10")	2.60 m (8'6")	2.10 m (6'11")
G212 GC	✓	✓	✓	✓	✓	✓	✓*	✓*
G212 GC-fixed CAN	✓	✓	✓	✓	✓	✓	✓	✓
G213 GC	✓	✓	✓	✓	✓*			
G213 GC-fixed CAN	✓	✓	✓	✓	✓	✓*	✓*	✓*

### TRS14-CW-30s, continued

Undercarriage	Rear Blade						Rear Blade (Wide U/C)	
Counterweight	3.9 mt						3.4 mt	
Boom Type	1 PC			VA			1 PC	
Stick Length	2.10 m (6'11")	2.40 m (7'10")	2.60 m (8'6")	2.10 m (6'11")	2.40 m (7'10")	2.60 m (8'6")	2.40 m (7'10")	2.60 m (8'6")
G212 GC	✓	✓	✓	✓	✓	✓*	✓	✓
G212 GC-fixed CAN	✓	✓	✓	✓	✓	✓	✓	✓
G213 GC	✓	✓*	✓*	✓*			✓	✓*
G213 GC-fixed CAN	✓	✓	✓	✓	✓*	✓*	✓	✓

(continued on next page)

# Demolition & Sorting Grapples for Wheeled Excavators

## Matching – Wheeled Excavators (continued)

Match       \* Working range front only       No Match

### M318F, continued TRS14-CW-30s, continued

Undercarriage	Rear Blade (Wide U/C)							
	3.4 mt			3.9 mt				
Counterweight	3.4 mt			3.9 mt				
Boom Type	VA			1 PC			VA	
Stick Length	2.10 m (6'11")	2.40 m (7'10")	2.60 m (8'6")	2.10 m (6'11")	2.40 m (7'10")	2.60 m (8'6")	2.10 m (6'11")	2.40 m (7'10")
G212 GC	✓	✓	✓*	✓	✓	✓	✓	✓
G212 GC-fixed CAN	✓	✓	✓	✓	✓	✓	✓	✓
G213 GC	✓*			✓	✓	✓	✓	✓
G213 GC-fixed CAN	✓	✓	✓*	✓	✓	✓	✓	✓

### TRS14-CW-30s, continued

Undercarriage	Rear Blade (Wide U/C)
Counterweight	3.9 mt
Boom Type	VA
Stick Length	2.60 m (8'6")
G212 GC	✓
G212 GC-fixed CAN	✓
G213 GC	✓*
G213 GC-fixed CAN	✓

### TRS14-CW-30

Undercarriage	Front and Rear Outriggers							
	3.4 mt				3.9 mt			
Counterweight	3.4 mt				3.9 mt			
Boom Type	1 PC		VA		1 PC		1 PC	
Stick Length	2.10 m (6'11")	2.40 m (7'10")	2.60 m (8'6")	2.10 m (6'11")	2.40 m (7'10")	2.60 m (8'6")	2.10 m (6'11")	2.40 m (7'10")
G212 GC	✓	✓	✓	✓	✓	✓	✓	✓
G212 GC-fixed CAN	✓	✓	✓	✓	✓	✓	✓	✓
G213 GC	✓	✓	✓	✓	✓	✓	✓	✓
G213 GC-fixed CAN	✓	✓	✓	✓	✓	✓	✓	✓

### TRS14-CW-30, continued

Undercarriage	Front and Rear Outriggers				Front Outriggers; Rear blade (Wide U/C)			
	3.9 mt				3.4 mt			
Counterweight	3.9 mt				3.4 mt			
Boom Type	1 PC		VA		1 PC		VA	
Stick Length	2.60 m (8'6")	2.10 m (6'11")	2.40 m (7'10")	2.60 m (8'6")	2.10 m (6'11")	2.40 m (7'10")	2.60 m (8'6")	2.10 m (6'11")
G212 GC	✓	✓	✓	✓	✓	✓	✓	✓
G212 GC-fixed CAN	✓	✓	✓	✓	✓	✓	✓	✓
G213 GC	✓	✓	✓	✓	✓	✓	✓	✓
G213 GC-fixed CAN	✓	✓	✓	✓	✓	✓	✓	✓

### TRS14-CW-30, continued

Undercarriage	Front Outriggers; Rear blade (Wide U/C)							
	3.4 mt			3.9 mt				
Counterweight	3.4 mt			3.9 mt				
Boom Type	VA		1 PC			VA		
Stick Length	2.40 m (7'10")	2.60 m (8'6")	2.10 m (6'11")	2.40 m (7'10")	2.60 m (8'6")	2.10 m (6'11")	2.40 m (7'10")	2.60 m (8'6")
G212 GC	✓	✓	✓	✓	✓	✓	✓	✓
G212 GC-fixed CAN	✓	✓	✓	✓	✓	✓	✓	✓
G213 GC	✓	✓	✓	✓	✓	✓	✓	✓
G213 GC-fixed CAN	✓	✓	✓	✓	✓	✓	✓	✓

(continued on next page)

# Demolition & Sorting Grapples for Wheeled Excavators

## Matching – Wheeled Excavators (continued)

Match       \* Working range front only       No Match

### M318F, continued TRS14-CW-30, continued

Undercarriage	Front Outriggers; Rear blade							
Counterweight	3.4 mt						3.9 mt	
Boom Type	1 PC			VA			1 PC	
Stick Length	2.10 m (6'11")	2.40 m (7'10")	2.60 m (8'6")	2.10 m (6'11")	2.40 m (7'10")	2.60 m (8'6")	2.10 m (6'11")	2.40 m (7'10")
G212 GC	✓	✓	✓	✓	✓	✓	✓	✓
G212 GC-fixed CAN	✓	✓	✓	✓	✓	✓	✓	✓
G213 GC	✓	✓	✓	✓	✓	✓	✓	✓
G213 GC-fixed CAN	✓	✓	✓	✓	✓	✓	✓	✓

### TRS14-CW-30, continued

Undercarriage	Front Outriggers; Rear blade				Rear Blade			
Counterweight	3.9 mt							
Boom Type	1 PC		VA		1 PC		VA	
Stick Length	2.60 m (8'6")	2.10 m (6'11")	2.40 m (7'10")	2.60 m (8'6")	2.10 m (6'11")	2.40 m (7'10")	2.60 m (8'6")	2.10 m (6'11")
G212 GC	✓	✓	✓	✓	✓	✓*		
G212 GC-fixed CAN	✓	✓	✓	✓	✓	✓	✓*	✓*
G213 GC	✓	✓	✓	✓				
G213 GC-fixed CAN	✓	✓	✓	✓	✓	✓*		

### TRS14-CW-30, continued

Undercarriage	Rear Blade						Rear Blade (Wide U/C)	
Counterweight	3.9 mt							
Boom Type	1 PC			VA			1 PC	
Stick Length	2.10 m (6'11")	2.40 m (7'10")	2.60 m (8'6")	2.10 m (6'11")	2.40 m (7'10")	2.60 m (8'6")	2.10 m (6'11")	2.40 m (7'10")
G212 GC	✓	✓	✓	✓	✓*		✓	✓
G212 GC-fixed CAN	✓	✓	✓	✓	✓	✓*	✓	✓
G213 GC	✓	✓*					✓	✓*
G213 GC-fixed CAN	✓	✓	✓	✓	✓*		✓	✓

### TRS14-CW-30, continued

Undercarriage	Rear Blade (Wide U/C)							
Counterweight	3.4 mt				3.9 mt			
Boom Type	1 PC		VA		1 PC		VA	
Stick Length	2.60 m (8'6")	2.10 m (6'11")	2.40 m (7'10")	2.60 m (8'6")	2.10 m (6'11")	2.40 m (7'10")	2.60 m (8'6")	2.10 m (6'11")
G212 GC	✓	✓	✓*	✓*	✓	✓	✓	✓
G212 GC-fixed CAN	✓	✓	✓	✓	✓	✓	✓	✓
G213 GC	✓*	✓*			✓	✓	✓	✓
G213 GC-fixed CAN	✓	✓	✓*	✓*	✓	✓	✓	✓

### TRS14-CW-30, continued

Undercarriage	Rear Blade (Wide U/C)	
Counterweight	3.9 mt	
Boom Type	VA	
Stick Length	2.40 m (7'10")	2.60 m (8'6")
G212 GC	✓	✓
G212 GC-fixed CAN	✓	✓
G213 GC	✓*	✓*
G213 GC-fixed CAN	✓	✓

(continued on next page)



# Demolition & Sorting Grapples for Wheeled Excavators

## Matching – Wheeled Excavators (continued)

Match       \* Working range front only       No Match

### M318F, continued TRS14-S60

Undercarriage	Front and Rear Outriggers							
Counterweight	3.4 mt						3.9 mt	
Boom Type	1 PC			VA			1 PC	
Stick Length	2.10 m (6'11")	2.40 m (7'10")	2.60 m (8'6")	2.10 m (6'11")	2.40 m (7'10")	2.60 m (8'6")	2.10 m (6'11")	2.40 m (7'10")
G212 GC	✓	✓	✓	✓	✓	✓	✓	✓
G213 GC	✓	✓	✓	✓	✓	✓	✓	✓

### TRS14-S60, continued

Undercarriage	Front and Rear Outriggers				Front Outriggers; Rear blade (Wide U/C)			
Counterweight	3.9 mt				3.4 mt			
Boom Type	1 PC		VA		1 PC		VA	
Stick Length	2.60 m (8'6")	2.10 m (6'11")	2.40 m (7'10")	2.60 m (8'6")	2.10 m (6'11")	2.40 m (7'10")	2.60 m (8'6")	2.10 m (6'11")
G212 GC	✓	✓	✓	✓	✓	✓	✓	✓
G213 GC	✓	✓	✓	✓	✓	✓	✓	✓

### TRS14-S60, continued

Undercarriage	Front Outriggers; Rear blade (Wide U/C)							
Counterweight	3.4 mt				3.9 mt			
Boom Type	VA		1 PC		VA			
Stick Length	2.40 m (7'10")	2.60 m (8'6")	2.10 m (6'11")	2.40 m (7'10")	2.60 m (8'6")	2.10 m (6'11")	2.40 m (7'10")	2.60 m (8'6")
G212 GC	✓	✓	✓	✓	✓	✓	✓	✓
G213 GC	✓	✓	✓	✓	✓	✓	✓	✓

### TRS14-S60, continued

Undercarriage	Front Outriggers; Rear blade							
Counterweight	3.4 mt						3.9 mt	
Boom Type	1 PC			VA			1 PC	
Stick Length	2.10 m (6'11")	2.40 m (7'10")	2.60 m (8'6")	2.10 m (6'11")	2.40 m (7'10")	2.60 m (8'6")	2.10 m (6'11")	2.40 m (7'10")
G212 GC	✓	✓	✓	✓	✓	✓	✓	✓
G213 GC	✓	✓	✓	✓	✓	✓	✓	✓

### TRS14-S60, continued

Undercarriage	Front Outriggers; Rear blade				Rear Blade			
Counterweight	3.9 mt				3.4 mt			
Boom Type	1 PC		VA		1 PC		VA	
Stick Length	2.60 m (8'6")	2.10 m (6'11")	2.40 m (7'10")	2.60 m (8'6")	2.10 m (6'11")	2.40 m (7'10")	2.60 m (8'6")	2.10 m (6'11")
G212 GC	✓	✓	✓	✓	✓	✓	✓	✓
G213 GC	✓	✓	✓	✓	✓	✓	✓*	✓*

### TRS14-S60, continued

Undercarriage	Rear Blade							
Counterweight	3.4 mt				3.9 mt			
Boom Type	VA		1 PC		VA			
Stick Length	2.40 m (7'10")	2.60 m (8'6")	2.10 m (6'11")	2.40 m (7'10")	2.60 m (8'6")	2.10 m (6'11")	2.40 m (7'10")	2.60 m (8'6")
G212 GC	✓*	✓*	✓	✓	✓	✓	✓	✓
G213 GC			✓	✓	✓	✓	✓	✓*

(continued on next page)

# Demolition & Sorting Grapples for Wheeled Excavators

## Matching – Wheeled Excavators (continued)

Match       \* Working range front only       No Match

### M318F, continued TRS14-S60, continued

Undercarriage	Rear Blade (Wide U/C)							
	3.4 mt						3.9 mt	
Counterweight	1 PC				VA		1 PC	
Boom Type	1 PC				VA		1 PC	
Stick Length	2.10 m (6'11")	2.40 m (7'10")	2.60 m (8'6")	2.10 m (6'11")	2.40 m (7'10")	2.60 m (8'6")	2.10 m (6'11")	2.40 m (7'10")
G212 GC	✓	✓	✓	✓	✓	✓	✓	✓
G213 GC	✓	✓	✓	✓	✓*		✓	✓

### TRS14-S60, continued

Undercarriage	Rear Blade (Wide U/C)			
	3.9 mt			
Counterweight	3.9 mt			
Boom Type	1 PC	VA		
Stick Length	2.60 m (8'6")	2.10 m (6'11")	2.40 m (7'10")	2.60 m (8'6")
G212 GC	✓	✓	✓	✓
G213 GC	✓	✓	✓	✓

### M318 Pin-on

Undercarriage	Front and Rear Outriggers							
	3.7 mt						4.2 mt	
Counterweight	3.7 mt						4.2 mt	
Boom Type	1 PC			VA			1 PC	
Stick Length	2.20 m (7'3")	2.50 m (8'2")	2.90 m (9'6")	2.20 m (7'3")	2.50 m (8'2")	2.90 m (9'6")	2.20 m (7'3")	2.50 m (8'2")
G313 GC	✓	✓	✓	✓	✓	✓	✓	✓
G314	✓	✓	✓	✓	✓	✓	✓	✓
G317 GC	✓	✓	✓				✓	✓
G318 WH-800	✓	✓					✓	✓

### Pin-on, continued

Undercarriage	Front and Rear Outriggers				Front Blade; Rear Outriggers			
	4.2 mt				3.7 mt			
Counterweight	4.2 mt				3.7 mt			
Boom Type	1 PC	VA			1 PC			VA
Stick Length	2.90 m (9'6")	2.20 m (7'3")	2.50 m (8'2")	2.90 m (9'6")	2.20 m (7'3")	2.50 m (8'2")	2.90 m (9'6")	2.20 m (7'3")
G313 GC	✓	✓	✓	✓	✓	✓	✓	✓
G314	✓	✓	✓	✓	✓	✓	✓	✓
G317 GC	✓				✓	✓	✓	
G318 WH-800					✓	✓		

### Pin-on, continued

Undercarriage	Front Blade; Rear Outriggers							
	3.7 mt				4.2 mt			
Counterweight	3.7 mt				4.2 mt			
Boom Type	VA		1 PC		1 PC		VA	
Stick Length	2.50 m (8'2")	2.90 m (9'6")	2.20 m (7'3")	2.50 m (8'2")	2.90 m (9'6")	2.20 m (7'3")	2.50 m (8'2")	2.90 m (9'6")
G313 GC	✓	✓	✓	✓	✓	✓	✓	✓
G314	✓	✓	✓	✓	✓	✓	✓	✓
G317 GC			✓	✓	✓			
G318 WH-800			✓	✓				

(continued on next page)

# Demolition & Sorting Grapples for Wheeled Excavators

## Matching – Wheeled Excavators (continued)

Match
  \* Working range front only
  No Match

### M318, continued Pin-on, continued

Undercarriage	Front Outriggers; Rear blade (Wide U/C)							
Counterweight	3.7 mt						4.2 mt	
Boom Type	1 PC			VA			1 PC	
Stick Length	2.20 m (7'3")	2.50 m (8'2")	2.90 m (9'6")	2.20 m (7'3")	2.50 m (8'2")	2.90 m (9'6")	2.20 m (7'3")	2.50 m (8'2")
G313 GC	✓	✓	✓	✓	✓	✓	✓	✓
G314	✓	✓	✓	✓	✓	✓	✓	✓
G317 GC	✓	✓	✓				✓	✓
G318 WH-800	✓	✓					✓	✓

### Pin-on, continued

Undercarriage	Front Outriggers; Rear blade (Wide U/C)				Front Outriggers; Rear (parallel) Blade			
Counterweight	4.2 mt				3.7 mt			
Boom Type	1 PC		VA		1 PC		VA	
Stick Length	2.90 m (9'6")	2.20 m (7'3")	2.50 m (8'2")	2.90 m (9'6")	2.20 m (7'3")	2.50 m (8'2")	2.90 m (9'6")	2.20 m (7'3")
G313 GC	✓	✓	✓	✓	✓	✓	✓	✓
G314	✓	✓	✓	✓	✓	✓	✓	✓
G317 GC	✓				✓	✓	✓	
G318 WH-800					✓	✓		

### Pin-on, continued

Undercarriage	Front Outriggers; Rear (parallel) Blade							
Counterweight	3.7 mt				4.2 mt			
Boom Type	VA		1 PC			VA		
Stick Length	2.50 m (8'2")	2.90 m (9'6")	2.20 m (7'3")	2.50 m (8'2")	2.90 m (9'6")	2.20 m (7'3")	2.50 m (8'2")	2.90 m (9'6")
G313 GC	✓	✓	✓	✓	✓	✓	✓	✓
G314	✓	✓	✓	✓	✓	✓	✓	✓
G317 GC			✓	✓	✓			
G318 WH-800			✓	✓				

### Pin-on, continued

Undercarriage	Front Outriggers; Rear (radial) Blade							
Counterweight	3.7 mt						4.2 mt	
Boom Type	1 PC			VA			1 PC	
Stick Length	2.20 m (7'3")	2.50 m (8'2")	2.90 m (9'6")	2.20 m (7'3")	2.50 m (8'2")	2.90 m (9'6")	2.20 m (7'3")	2.50 m (8'2")
G313 GC	✓	✓	✓	✓	✓	✓	✓	✓
G314	✓	✓	✓	✓	✓	✓	✓	✓
G317 GC	✓	✓	✓				✓	✓
G318 WH-800	✓	✓					✓	✓

### Pin-on, continued

Undercarriage	Front Outriggers; Rear (radial) Blade				Rear (parallel) Blade			
Counterweight	4.2 mt				3.7 mt			
Boom Type	1 PC		VA		1 PC		VA	
Stick Length	2.90 m (9'6")	2.20 m (7'3")	2.50 m (8'2")	2.90 m (9'6")	2.20 m (7'3")	2.50 m (8'2")	2.90 m (9'6")	2.20 m (7'3")
G313 GC	✓	✓	✓	✓	✓	✓	✓	✓
G314	✓	✓	✓	✓	✓	✓	✓	✓
G317 GC	✓				✓	✓*		
G318 WH-800					✓*			

(continued on next page)

# Demolition & Sorting Grapples for Wheeled Excavators

## Matching – Wheeled Excavators (continued)

Match
  \* Working range front only
  No Match

### M318, continued Pin-on, continued

Undercarriage	Rear (parallel) Blade							
Counterweight	3.7 mt				4.2 mt			
Boom Type	VA		1 PC			VA		
Stick Length	2.50 m (8'2")	2.90 m (9'6")	2.20 m (7'3")	2.50 m (8'2")	2.90 m (9'6")	2.20 m (7'3")	2.50 m (8'2")	2.90 m (9'6")
G313 GC	✓	✓	✓	✓	✓	✓	✓	✓
G314	✓	✓	✓	✓	✓	✓	✓	✓
G317 GC			✓	✓	✓*			
G318 WH-800			✓	✓*				

### Pin-on, continued

Undercarriage	Rear (radial) Blade							
Counterweight	3.7 mt						4.2 mt	
Boom Type	1 PC			VA			1 PC	
Stick Length	2.20 m (7'3")	2.50 m (8'2")	2.90 m (9'6")	2.20 m (7'3")	2.50 m (8'2")	2.90 m (9'6")	2.20 m (7'3")	2.50 m (8'2")
G313 GC	✓	✓	✓	✓	✓	✓	✓	✓
G314	✓	✓	✓	✓	✓	✓	✓	✓
G317 GC	✓	✓*					✓	✓
G318 WH-800	✓*						✓	✓*

### Pin-on, continued

Undercarriage	Rear (radial) Blade				Rear Blade (Wide U/C)			
Counterweight	4.2 mt				3.7 mt			
Boom Type	1 PC		VA		1 PC		VA	
Stick Length	2.90 m (9'6")	2.20 m (7'3")	2.50 m (8'2")	2.90 m (9'6")	2.20 m (7'3")	2.50 m (8'2")	2.90 m (9'6")	2.20 m (7'3")
G313 GC	✓	✓	✓	✓	✓	✓	✓	✓
G314	✓	✓	✓	✓	✓	✓	✓	✓
G317 GC	✓*				✓	✓	✓	
G318 WH-800					✓	✓		

### Pin-on, continued

Undercarriage	Rear Blade (Wide U/C)							
Counterweight	3.7 mt				4.2 mt			
Boom Type	VA		1 PC			VA		
Stick Length	2.50 m (8'2")	2.90 m (9'6")	2.20 m (7'3")	2.50 m (8'2")	2.90 m (9'6")	2.20 m (7'3")	2.50 m (8'2")	2.90 m (9'6")
G313 GC	✓	✓	✓	✓	✓	✓	✓	✓
G314	✓	✓	✓	✓	✓	✓	✓	✓
G317 GC			✓	✓	✓			
G318 WH-800			✓	✓				

### Pin Grabber Coupler

Undercarriage	Front and Rear Outriggers							
Counterweight	3.7 mt						4.2 mt	
Boom Type	1 PC			VA			1 PC	
Stick Length	2.20 m (7'3")	2.50 m (8'2")	2.90 m (9'6")	2.20 m (7'3")	2.50 m (8'2")	2.90 m (9'6")	2.20 m (7'3")	2.50 m (8'2")
G313 GC	✓	✓	✓	✓	✓	✓	✓	✓
G314	✓	✓	✓	✓	✓	✓	✓	✓

(continued on next page)

# Demolition & Sorting Grapples for Wheeled Excavators

## Matching – Wheeled Excavators (continued)

Match       \* Working range front only       No Match

### M318, continued

#### Pin Grabber Coupler, continued

Undercarriage	Front and Rear Outriggers				Front Blade; Rear Outriggers			
Counterweight	4.2 mt				3.7 mt			
Boom Type	1 PC	VA			1 PC			VA
Stick Length	2.90 m (9'6")	2.20 m (7'3")	2.50 m (8'2")	2.90 m (9'6")	2.20 m (7'3")	2.50 m (8'2")	2.90 m (9'6")	2.20 m (7'3")
G313 GC	✓	✓	✓	✓	✓	✓	✓	✓
G314	✓	✓	✓	✓	✓	✓	✓	✓

#### Pin Grabber Coupler, continued

Undercarriage	Front Blade; Rear Outriggers							
Counterweight	3.7 mt				4.2 mt			
Boom Type	VA		1 PC			VA		
Stick Length	2.50 m (8'2")	2.90 m (9'6")	2.20 m (7'3")	2.50 m (8'2")	2.90 m (9'6")	2.20 m (7'3")	2.50 m (8'2")	2.90 m (9'6")
G313 GC	✓	✓	✓	✓	✓	✓	✓	✓
G314	✓	✓	✓	✓	✓	✓	✓	✓

#### Pin Grabber Coupler, continued

Undercarriage	Front Outriggers; Rear blade (Wide U/C)							
Counterweight	3.7 mt						4.2 mt	
Boom Type	1 PC			VA			1 PC	
Stick Length	2.20 m (7'3")	2.50 m (8'2")	2.90 m (9'6")	2.20 m (7'3")	2.50 m (8'2")	2.90 m (9'6")	2.20 m (7'3")	2.50 m (8'2")
G313 GC	✓	✓	✓	✓	✓	✓	✓	✓
G314	✓	✓	✓	✓	✓	✓	✓	✓

#### Pin Grabber Coupler, continued

Undercarriage	Front Outriggers; Rear blade (Wide U/C)				Front Outriggers; Rear (parallel) Blade			
Counterweight	4.2 mt				3.7 mt			
Boom Type	1 PC	VA			1 PC			VA
Stick Length	2.90 m (9'6")	2.20 m (7'3")	2.50 m (8'2")	2.90 m (9'6")	2.20 m (7'3")	2.50 m (8'2")	2.90 m (9'6")	2.20 m (7'3")
G313 GC	✓	✓	✓	✓	✓	✓	✓	✓
G314	✓	✓	✓	✓	✓	✓	✓	✓

#### Pin Grabber Coupler, continued

Undercarriage	Front Outriggers; Rear (parallel) Blade							
Counterweight	3.7 mt				4.2 mt			
Boom Type	VA		1 PC			VA		
Stick Length	2.50 m (8'2")	2.90 m (9'6")	2.20 m (7'3")	2.50 m (8'2")	2.90 m (9'6")	2.20 m (7'3")	2.50 m (8'2")	2.90 m (9'6")
G313 GC	✓	✓	✓	✓	✓	✓	✓	✓
G314	✓	✓	✓	✓	✓	✓	✓	✓

#### Pin Grabber Coupler, continued

Undercarriage	Front Outriggers; Rear (radial) blade							
Counterweight	3.7 mt						4.2 mt	
Boom Type	1 PC			VA			1 PC	
Stick Length	2.20 m (7'3")	2.50 m (8'2")	2.90 m (9'6")	2.20 m (7'3")	2.50 m (8'2")	2.90 m (9'6")	2.20 m (7'3")	2.50 m (8'2")
G313 GC	✓	✓	✓	✓	✓	✓	✓	✓
G314	✓	✓	✓	✓	✓	✓	✓	✓

(continued on next page)

# Demolition & Sorting Grapples for Wheeled Excavators

## Matching – Wheeled Excavators (continued)

Match       \* Working range front only       No Match

### M318, continued Pin Grabber Coupler, continued

Undercarriage	Front Outriggers; Rear (radial) blade				Rear (parallel) Blade			
Counterweight	4.2 mt				3.7 mt			
Boom Type	1 PC	VA			1 PC			VA
Stick Length	2.90 m (9'6")	2.20 m (7'3")	2.50 m (8'2")	2.90 m (9'6")	2.20 m (7'3")	2.50 m (8'2")	2.90 m (9'6")	2.20 m (7'3")
G313 GC	✓	✓	✓	✓	✓	✓	✓*	✓
G314	✓	✓	✓	✓	✓	✓*		✓*

### Pin Grabber Coupler, continued

Undercarriage	Rear (parallel) Blade							Rear (radial) Blade
Counterweight	3.7 mt	4.2 mt					3.7 mt	
Boom Type	VA	1 PC			VA			1 PC
Stick Length	2.50 m (8'2")	2.20 m (7'3")	2.50 m (8'2")	2.90 m (9'6")	2.20 m (7'3")	2.50 m (8'2")	2.90 m (9'6")	2.20 m (7'3")
G313 GC	✓*	✓	✓	✓	✓	✓	✓*	✓
G314		✓	✓	✓*	✓	✓	✓*	✓

### Pin Grabber Coupler, continued

Undercarriage	Rear (radial) Blade							
Counterweight	3.7 mt				4.2 mt			
Boom Type	1 PC		VA		1 PC		VA	
Stick Length	2.50 m (8'2")	2.90 m (9'6")	2.20 m (7'3")	2.50 m (8'2")	2.20 m (7'3")	2.50 m (8'2")	2.90 m (9'6")	2.20 m (7'3")
G313 GC	✓	✓*	✓	✓*	✓	✓	✓	✓
G314	✓*		✓*		✓	✓	✓*	✓

### Pin Grabber Coupler, continued

Undercarriage	Rear (radial) Blade		Rear Blade (Wide U/C)					
Counterweight	4.2 mt		3.7 mt					
Boom Type	VA		1 PC			VA		
Stick Length	2.50 m (8'2")	2.90 m (9'6")	2.20 m (7'3")	2.50 m (8'2")	2.90 m (9'6")	2.20 m (7'3")	2.50 m (8'2")	2.90 m (9'6")
G313 GC	✓	✓*	✓	✓	✓	✓	✓	✓
G314	✓	✓*	✓	✓	✓	✓	✓	✓*

### Pin Grabber Coupler, continued

Undercarriage	Rear Blade (Wide U/C)					
Counterweight	4.2 mt					
Boom Type	1 PC			VA		
Stick Length	2.20 m (7'3")	2.50 m (8'2")	2.90 m (9'6")	2.20 m (7'3")	2.50 m (8'2")	2.90 m (9'6")
G313 GC	✓	✓	✓	✓	✓	✓
G314	✓	✓	✓	✓	✓	✓

### CW-30s Dedicated Coupler

Undercarriage	Front and Rear Outriggers							
Counterweight	3.7 mt						4.2 mt	
Boom Type	1 PC			VA			1 PC	
Stick Length	2.20 m (7'3")	2.50 m (8'2")	2.90 m (9'6")	2.20 m (7'3")	2.50 m (8'2")	2.90 m (9'6")	2.20 m (7'3")	2.50 m (8'2")
G313 GC	✓	✓	✓	✓	✓	✓	✓	✓
G314	✓	✓	✓	✓	✓	✓	✓	✓
G317 GC	✓	✓					✓	✓

(continued on next page)

# Demolition & Sorting Grapples for Wheeled Excavators

## Matching – Wheeled Excavators (continued)

Match       \* Working range front only       No Match

### M318, continued

#### CW-30s Dedicated Coupler, continued

Undercarriage	Front and Rear Outriggers				Front Blade; Rear Outriggers			
Counterweight	4.2 mt				3.7 mt			
Boom Type	1 PC	VA			1 PC			VA
Stick Length	2.90 m (9'6")	2.20 m (7'3")	2.50 m (8'2")	2.90 m (9'6")	2.20 m (7'3")	2.50 m (8'2")	2.90 m (9'6")	2.20 m (7'3")
G313 GC	✓	✓	✓	✓	✓	✓	✓	✓
G314	✓	✓	✓	✓	✓	✓	✓	✓
G317 GC					✓	✓		

#### CW-30s Dedicated Coupler, continued

Undercarriage	Front Blade; Rear Outriggers							
Counterweight	3.7 mt				4.2 mt			
Boom Type	VA		1 PC			VA		
Stick Length	2.50 m (8'2")	2.90 m (9'6")	2.20 m (7'3")	2.50 m (8'2")	2.90 m (9'6")	2.20 m (7'3")	2.50 m (8'2")	2.90 m (9'6")
G313 GC	✓	✓	✓	✓	✓	✓	✓	✓
G314	✓	✓	✓	✓	✓	✓	✓	✓
G317 GC			✓	✓				

#### CW-30s Dedicated Coupler, continued

Undercarriage	Front Outriggers; Rear blade (Wide U/C)							
Counterweight	3.7 mt						4.2 mt	
Boom Type	1 PC			VA			1 PC	
Stick Length	2.20 m (7'3")	2.50 m (8'2")	2.90 m (9'6")	2.20 m (7'3")	2.50 m (8'2")	2.90 m (9'6")	2.20 m (7'3")	2.50 m (8'2")
G313 GC	✓	✓	✓	✓	✓	✓	✓	✓
G314	✓	✓	✓	✓	✓	✓	✓	✓
G317 GC	✓	✓					✓	✓

#### CW-30s Dedicated Coupler, continued

Undercarriage	Front Outriggers; Rear blade (Wide U/C)				Front Outriggers; Rear (parallel) Blade			
Counterweight	4.2 mt				3.7 mt			
Boom Type	1 PC	VA			1 PC			VA
Stick Length	2.90 m (9'6")	2.20 m (7'3")	2.50 m (8'2")	2.90 m (9'6")	2.20 m (7'3")	2.50 m (8'2")	2.90 m (9'6")	2.20 m (7'3")
G313 GC	✓	✓	✓	✓	✓	✓	✓	✓
G314	✓	✓	✓	✓	✓	✓	✓	✓
G317 GC					✓	✓		

#### CW-30s Dedicated Coupler, continued

Undercarriage	Front Outriggers; Rear (parallel) Blade							
Counterweight	3.7 mt				4.2 mt			
Boom Type	VA		1 PC			VA		
Stick Length	2.50 m (8'2")	2.90 m (9'6")	2.20 m (7'3")	2.50 m (8'2")	2.90 m (9'6")	2.20 m (7'3")	2.50 m (8'2")	2.90 m (9'6")
G313 GC	✓	✓	✓	✓	✓	✓	✓	✓
G314	✓	✓	✓	✓	✓	✓	✓	✓
G317 GC			✓	✓				

(continued on next page)

# Demolition & Sorting Grapples for Wheeled Excavators

## Matching – Wheeled Excavators (continued)

Match
  \* Working range front only
  No Match

### M318, continued

#### CW-30s Dedicated Coupler, continued

Undercarriage	Front Outriggers; Rear (radial) blade							
Counterweight	3.7 mt						4.2 mt	
Boom Type	1 PC			VA			1 PC	
Stick Length	2.20 m (7'3")	2.50 m (8'2")	2.90 m (9'6")	2.20 m (7'3")	2.50 m (8'2")	2.90 m (9'6")	2.20 m (7'3")	2.50 m (8'2")
G313 GC	✓	✓	✓	✓	✓	✓	✓	✓
G314	✓	✓	✓	✓	✓	✓	✓	✓
G317 GC	✓	✓					✓	✓

#### CW-30s Dedicated Coupler, continued

Undercarriage	Front Outriggers; Rear (radial) blade				Rear (parallel) Blade			
Counterweight	4.2 mt				3.7 mt			
Boom Type	1 PC		VA		1 PC		VA	
Stick Length	2.90 m (9'6")	2.20 m (7'3")	2.50 m (8'2")	2.90 m (9'6")	2.20 m (7'3")	2.50 m (8'2")	2.90 m (9'6")	2.20 m (7'3")
G313 GC	✓	✓	✓	✓	✓	✓	✓	✓
G314	✓	✓	✓	✓	✓	✓	✓	✓
G317 GC					✓*			

#### CW-30s Dedicated Coupler, continued

Undercarriage	Rear (parallel) Blade							
Counterweight	3.7 mt				4.2 mt			
Boom Type	VA		1 PC		VA			
Stick Length	2.50 m (8'2")	2.90 m (9'6")	2.20 m (7'3")	2.50 m (8'2")	2.90 m (9'6")	2.20 m (7'3")	2.50 m (8'2")	2.90 m (9'6")
G313 GC	✓	✓*	✓	✓	✓	✓	✓	✓
G314	✓	✓*	✓	✓	✓	✓	✓	✓
G317 GC			✓	✓*				

#### CW-30s Dedicated Coupler, continued

Undercarriage	Rear (radial) Blade							
Counterweight	3.7 mt						4.2 mt	
Boom Type	1 PC			VA			1 PC	
Stick Length	2.20 m (7'3")	2.50 m (8'2")	2.90 m (9'6")	2.20 m (7'3")	2.50 m (8'2")	2.90 m (9'6")	2.20 m (7'3")	2.50 m (8'2")
G313 GC	✓	✓	✓	✓	✓	✓*	✓	✓
G314	✓	✓	✓	✓	✓	✓*	✓	✓
G317 GC	✓*						✓	✓*

#### CW-30s Dedicated Coupler, continued

Undercarriage	Rear (radial) Blade				Rear Blade (Wide U/C)			
Counterweight	4.2 mt				3.7 mt			
Boom Type	1 PC		VA		1 PC		VA	
Stick Length	2.90 m (9'6")	2.20 m (7'3")	2.50 m (8'2")	2.90 m (9'6")	2.20 m (7'3")	2.50 m (8'2")	2.90 m (9'6")	2.20 m (7'3")
G313 GC	✓	✓	✓	✓	✓	✓	✓	✓
G314	✓	✓	✓	✓	✓	✓	✓	✓
G317 GC					✓	✓		

(continued on next page)



# Demolition & Sorting Grapples for Wheeled Excavators

## Matching – Wheeled Excavators (continued)

Match       \* Working range front only       No Match

### M318, continued CW-30s Dedicated Coupler, continued

Undercarriage	Rear Blade (Wide U/C)							
Counterweight	3.7 mt				4.2 mt			
Boom Type	VA		1 PC			VA		
Stick Length	2.50 m (8'2")	2.90 m (9'6")	2.20 m (7'3")	2.50 m (8'2")	2.90 m (9'6")	2.20 m (7'3")	2.50 m (8'2")	2.90 m (9'6")
G313 GC	✓	✓	✓	✓	✓	✓	✓	✓
G314	✓	✓	✓	✓	✓	✓	✓	✓
G317 GC			✓	✓				

### CW-30 Dedicated Coupler, continued

Undercarriage	Front and Rear Outriggers							
Counterweight	3.7 mt						4.2 mt	
Boom Type	1 PC			VA			1 PC	
Stick Length	2.20 m (7'3")	2.50 m (8'2")	2.90 m (9'6")	2.20 m (7'3")	2.50 m (8'2")	2.90 m (9'6")	2.20 m (7'3")	2.50 m (8'2")
G313 GC	✓	✓	✓	✓	✓	✓	✓	✓
G313 GC-fixed CAN	✓	✓	✓	✓	✓	✓	✓	✓
G314	✓	✓	✓	✓	✓	✓	✓	✓
G317 GC	✓	✓			✓	✓	✓	✓
G317 GC-fixed CAN	✓	✓	✓				✓	✓

### CW-30 Dedicated Coupler, continued

Undercarriage	Front and Rear Outriggers				Front Blade; Rear Outriggers			
Counterweight	4.2 mt				3.7 mt			
Boom Type	1 PC	VA		2.90 m (9'6")	1 PC		VA	
Stick Length	2.90 m (9'6")	2.20 m (7'3")	2.50 m (8'2")	2.90 m (9'6")	2.20 m (7'3")	2.50 m (8'2")	2.90 m (9'6")	2.20 m (7'3")
G313 GC	✓	✓	✓	✓	✓	✓	✓	✓
G313 GC-fixed CAN	✓	✓	✓	✓	✓	✓	✓	✓
G314	✓	✓	✓	✓	✓	✓	✓	✓
G317 GC			✓	✓	✓	✓	✓	
G317 GC-fixed CAN	✓				✓	✓	✓	

### CW-30 Dedicated Coupler, continued

Undercarriage	Front Blade; Rear Outriggers							
Counterweight	3.7 mt				4.2 mt			
Boom Type	VA		1 PC			VA		
Stick Length	2.50 m (8'2")	2.90 m (9'6")	2.20 m (7'3")	2.50 m (8'2")	2.90 m (9'6")	2.20 m (7'3")	2.50 m (8'2")	2.90 m (9'6")
G313 GC	✓	✓	✓	✓	✓	✓	✓	✓
G313 GC-fixed CAN	✓	✓	✓	✓	✓	✓	✓	✓
G314	✓	✓	✓	✓	✓	✓	✓	✓
G317 GC	✓	✓	✓	✓			✓	✓
G317 GC-fixed CAN			✓	✓	✓			

(continued on next page)

# Demolition & Sorting Grapples for Wheeled Excavators

## Matching – Wheeled Excavators (continued)

Match       \* Working range front only       No Match

### M318, continued

#### CW-30 Dedicated Coupler, continued

Undercarriage	Front Outriggers; Rear blade (Wide U/C)							
Counterweight	3.7 mt						4.2 mt	
Boom Type	1 PC			VA			1 PC	
Stick Length	2.20 m (7'3")	2.50 m (8'2")	2.90 m (9'6")	2.20 m (7'3")	2.50 m (8'2")	2.90 m (9'6")	2.20 m (7'3")	2.50 m (8'2")
G313 GC	✓	✓	✓	✓	✓	✓	✓	✓
G313 GC-fixed CAN	✓	✓	✓	✓	✓	✓	✓	✓
G314	✓	✓	✓	✓	✓	✓	✓	✓
G317 GC	✓	✓			✓	✓	✓	✓
G317 GC-fixed CAN	✓	✓	✓				✓	✓

#### CW-30 Dedicated Coupler, continued

Undercarriage	Front Outriggers; Rear blade (Wide U/C)				Front Outriggers; Rear (parallel) Blade			
Counterweight	4.2 mt				3.7 mt			
Boom Type	1 PC	VA		1 PC		VA		
Stick Length	2.90 m (9'6")	2.20 m (7'3")	2.50 m (8'2")	2.90 m (9'6")	2.20 m (7'3")	2.50 m (8'2")	2.90 m (9'6")	2.20 m (7'3")
G313 GC	✓	✓	✓	✓	✓	✓	✓	✓
G313 GC-fixed CAN	✓	✓	✓	✓	✓	✓	✓	✓
G314	✓	✓	✓	✓	✓	✓	✓	✓
G317 GC			✓	✓	✓	✓		
G317 GC-fixed CAN	✓				✓	✓	✓	

#### CW-30 Dedicated Coupler, continued

Undercarriage	Front Outriggers; Rear (parallel) Blade							
Counterweight	3.7 mt				4.2 mt			
Boom Type	VA		1 PC		VA			
Stick Length	2.50 m (8'2")	2.90 m (9'6")	2.20 m (7'3")	2.50 m (8'2")	2.90 m (9'6")	2.20 m (7'3")	2.50 m (8'2")	2.90 m (9'6")
G313 GC	✓	✓	✓	✓	✓	✓	✓	✓
G313 GC-fixed CAN	✓	✓	✓	✓	✓	✓	✓	✓
G314	✓	✓	✓	✓	✓	✓	✓	✓
G317 GC	✓	✓	✓	✓			✓	✓
G317 GC-fixed CAN			✓	✓	✓			

#### CW-30 Dedicated Coupler, continued

Undercarriage	Front Outriggers; Rear (radial) blade							
Counterweight	3.7 mt						4.2 mt	
Boom Type	1 PC			VA			1 PC	
Stick Length	2.20 m (7'3")	2.50 m (8'2")	2.90 m (9'6")	2.20 m (7'3")	2.50 m (8'2")	2.90 m (9'6")	2.20 m (7'3")	2.50 m (8'2")
G313 GC	✓	✓	✓	✓	✓	✓	✓	✓
G313 GC-fixed CAN	✓	✓	✓	✓	✓	✓	✓	✓
G314	✓	✓	✓	✓	✓	✓	✓	✓
G317 GC	✓	✓			✓	✓	✓	✓
G317 GC-fixed CAN	✓	✓	✓				✓	✓

(continued on next page)

# Demolition & Sorting Grapples for Wheeled Excavators

## Matching – Wheeled Excavators (continued)

Match
  \* Working range front only
  No Match

### M318, continued

#### CW-30 Dedicated Coupler, continued

Undercarriage	Front Outriggers; Rear (radial) blade				Rear (parallel) Blade			
Counterweight	4.2 mt				3.7 mt			
Boom Type	1 PC	VA			1 PC			VA
Stick Length	2.90 m (9'6")	2.20 m (7'3")	2.50 m (8'2")	2.90 m (9'6")	2.20 m (7'3")	2.50 m (8'2")	2.90 m (9'6")	2.20 m (7'3")
G313 GC	✓	✓	✓	✓	✓	✓	✓	✓
G313 GC-fixed CAN	✓	✓	✓	✓	✓	✓	✓	✓
G314	✓	✓	✓	✓	✓	✓	✓*	✓
G317 GC			✓	✓				
G317 GC-fixed CAN	✓				✓*			

#### CW-30 Dedicated Coupler, continued

Undercarriage	Rear (parallel) Blade							
Counterweight	3.7 mt			4.2 mt				
Boom Type	VA		1 PC			VA		
Stick Length	2.50 m (8'2")	2.90 m (9'6")	2.20 m (7'3")	2.50 m (8'2")	2.90 m (9'6")	2.20 m (7'3")	2.50 m (8'2")	2.90 m (9'6")
G313 GC	✓	✓*	✓	✓	✓	✓	✓	✓
G313 GC-fixed CAN	✓	✓	✓	✓	✓	✓	✓	✓
G314	✓	✓*	✓	✓	✓	✓	✓	✓
G317 GC			✓	✓*				
G317 GC-fixed CAN			✓	✓	✓*			

#### CW-30 Dedicated Coupler, continued

Undercarriage	Rear (radial) Blade							
Counterweight	3.7 mt					4.2 mt		
Boom Type	1 PC		VA			1 PC		
Stick Length	2.20 m (7'3")	2.50 m (8'2")	2.90 m (9'6")	2.20 m (7'3")	2.50 m (8'2")	2.90 m (9'6")	2.20 m (7'3")	2.50 m (8'2")
G313 GC	✓	✓	✓	✓	✓	✓*	✓	✓
G313 GC-fixed CAN	✓	✓	✓	✓	✓	✓	✓	✓
G314	✓	✓	✓*	✓	✓	✓*	✓	✓
G317 GC							✓	✓*
G317 GC-fixed CAN	✓*						✓	✓

#### CW-30 Dedicated Coupler, continued

Undercarriage	Rear (radial) Blade				Rear Blade (Wide U/C)			
Counterweight	4.2 mt				3.7 mt			
Boom Type	1 PC	VA			1 PC			VA
Stick Length	2.90 m (9'6")	2.20 m (7'3")	2.50 m (8'2")	2.90 m (9'6")	2.20 m (7'3")	2.50 m (8'2")	2.90 m (9'6")	2.20 m (7'3")
G313 GC	✓	✓	✓	✓	✓	✓	✓	✓
G313 GC-fixed CAN	✓	✓	✓	✓	✓	✓	✓	✓
G314	✓	✓	✓	✓	✓	✓	✓	✓
G317 GC					✓	✓		
G317 GC-fixed CAN	✓*				✓	✓	✓*	

(continued on next page)

# Demolition & Sorting Grapples for Wheeled Excavators

## Matching – Wheeled Excavators (continued)

Match       \* Working range front only       No Match

### M318, continued CW-30 Dedicated Coupler, continued

Undercarriage	Rear Blade (Wide U/C)							
Counterweight	3.7 mt				4.2 mt			
Boom Type	VA		1 PC			VA		
Stick Length	2.50 m (8'2")	2.90 m (9'6")	2.20 m (7'3")	2.50 m (8'2")	2.90 m (9'6")	2.20 m (7'3")	2.50 m (8'2")	2.90 m (9'6")
G313 GC	✓	✓	✓	✓	✓	✓	✓	✓
G313 GC-fixed CAN	✓	✓	✓	✓	✓	✓	✓	✓
G314	✓	✓	✓	✓	✓	✓	✓	✓
G317 GC	✓*		✓	✓			✓	✓*
G317 GC-fixed CAN			✓	✓	✓			

### S60 Dedicated Coupler

Undercarriage	Front and Rear Outriggers							
Counterweight	3.7 mt						4.2 mt	
Boom Type	1 PC			VA			1 PC	
Stick Length	2.20 m (7'3")	2.50 m (8'2")	2.90 m (9'6")	2.20 m (7'3")	2.50 m (8'2")	2.90 m (9'6")	2.20 m (7'3")	2.50 m (8'2")
G313 GC	✓	✓	✓	✓	✓	✓	✓	✓
G314	✓	✓	✓	✓	✓	✓	✓	✓
G317 GC	✓	✓					✓	✓

### S60 Dedicated Coupler, continued

Undercarriage	Front and Rear Outriggers				Front Blade; Rear Outriggers			
Counterweight	4.2 mt				3.7 mt			
Boom Type	1 PC	VA		1 PC		VA		
Stick Length	2.90 m (9'6")	2.20 m (7'3")	2.50 m (8'2")	2.90 m (9'6")	2.20 m (7'3")	2.50 m (8'2")	2.90 m (9'6")	2.20 m (7'3")
G313 GC	✓	✓	✓	✓	✓	✓	✓	✓
G314	✓	✓	✓	✓	✓	✓	✓	✓
G317 GC					✓	✓		

### S60 Dedicated Coupler, continued

Undercarriage	Front Blade; Rear Outriggers							
Counterweight	3.7 mt				4.2 mt			
Boom Type	VA		1 PC			VA		
Stick Length	2.50 m (8'2")	2.90 m (9'6")	2.20 m (7'3")	2.50 m (8'2")	2.90 m (9'6")	2.20 m (7'3")	2.50 m (8'2")	2.90 m (9'6")
G313 GC	✓	✓	✓	✓	✓	✓	✓	✓
G314	✓	✓	✓	✓	✓	✓	✓	✓
G317 GC			✓	✓				

### S60 Dedicated Coupler, continued

Undercarriage	Front Outriggers; Rear blade (Wide U/C)							
Counterweight	3.7 mt						4.2 mt	
Boom Type	1 PC			VA			1 PC	
Stick Length	2.20 m (7'3")	2.50 m (8'2")	2.90 m (9'6")	2.20 m (7'3")	2.50 m (8'2")	2.90 m (9'6")	2.20 m (7'3")	2.50 m (8'2")
G313 GC	✓	✓	✓	✓	✓	✓	✓	✓
G314	✓	✓	✓	✓	✓	✓	✓	✓
G317 GC	✓	✓					✓	✓

(continued on next page)

# Demolition & Sorting Grapples for Wheeled Excavators

## Matching – Wheeled Excavators (continued)

Match       \* Working range front only       No Match

### M318, continued

#### S60 Dedicated Coupler, continued

Undercarriage	Front Outriggers; Rear blade (Wide U/C)				Front Outriggers; Rear (parallel) Blade			
Counterweight	4.2 mt				3.7 mt			
Boom Type	1 PC	VA			1 PC			VA
Stick Length	2.90 m (9'6")	2.20 m (7'3")	2.50 m (8'2")	2.90 m (9'6")	2.20 m (7'3")	2.50 m (8'2")	2.90 m (9'6")	2.20 m (7'3")
G313 GC	✓	✓	✓	✓	✓	✓	✓	✓
G314	✓	✓	✓	✓	✓	✓	✓	✓
G317 GC					✓	✓		

#### S60 Dedicated Coupler, continued

Undercarriage	Front Outriggers; Rear (parallel) Blade							
Counterweight	3.7 mt				4.2 mt			
Boom Type	VA		1 PC		VA			
Stick Length	2.50 m (8'2")	2.90 m (9'6")	2.20 m (7'3")	2.50 m (8'2")	2.90 m (9'6")	2.20 m (7'3")	2.50 m (8'2")	2.90 m (9'6")
G313 GC	✓	✓	✓	✓	✓	✓	✓	✓
G314	✓	✓	✓	✓	✓	✓	✓	✓
G317 GC			✓	✓				

#### S60 Dedicated Coupler, continued

Undercarriage	Front Outriggers; Rear (radial) blade							
Counterweight	3.7 mt						4.2 mt	
Boom Type	1 PC			VA			1 PC	
Stick Length	2.20 m (7'3")	2.50 m (8'2")	2.90 m (9'6")	2.20 m (7'3")	2.50 m (8'2")	2.90 m (9'6")	2.20 m (7'3")	2.50 m (8'2")
G313 GC	✓	✓	✓	✓	✓	✓	✓	✓
G314	✓	✓	✓	✓	✓	✓	✓	✓
G317 GC	✓	✓					✓	✓

#### S60 Dedicated Coupler, continued

Undercarriage	Front Outriggers; Rear (radial) blade				Rear (parallel) Blade			
Counterweight	4.2 mt				3.7 mt			
Boom Type	1 PC	VA			1 PC			VA
Stick Length	2.90 m (9'6")	2.20 m (7'3")	2.50 m (8'2")	2.90 m (9'6")	2.20 m (7'3")	2.50 m (8'2")	2.90 m (9'6")	2.20 m (7'3")
G313 GC	✓	✓	✓	✓	✓	✓	✓	✓
G314	✓	✓	✓	✓	✓	✓	✓	✓
G317 GC					✓*			

#### S60 Dedicated Coupler, continued

Undercarriage	Rear (parallel) Blade							
Counterweight	3.7 mt				4.2 mt			
Boom Type	VA		1 PC		VA			
Stick Length	2.50 m (8'2")	2.90 m (9'6")	2.20 m (7'3")	2.50 m (8'2")	2.90 m (9'6")	2.20 m (7'3")	2.50 m (8'2")	2.90 m (9'6")
G313 GC	✓	✓*	✓	✓	✓	✓	✓	✓
G314	✓	✓*	✓	✓	✓	✓	✓	✓
G317 GC			✓	✓*				

(continued on next page)

# Demolition & Sorting Grapples for Wheeled Excavators

## Matching – Wheeled Excavators (continued)

Match       \* Working range front only       No Match

### M318, continued S60 Dedicated Coupler, continued

Undercarriage	Rear (radial) Blade							
	3.7 mt				4.2 mt			
Counterweight	1 PC				VA			
Boom Type	1 PC				VA			
Stick Length	2.20 m (7'3")	2.50 m (8'2")	2.90 m (9'6")	2.20 m (7'3")	2.50 m (8'2")	2.90 m (9'6")	2.20 m (7'3")	2.50 m (8'2")
G313 GC	✓	✓	✓	✓	✓	✓*	✓	✓
G314	✓	✓	✓	✓	✓	✓*	✓	✓
G317 GC	✓*						✓	✓*

### S60 Dedicated Coupler, continued

Undercarriage	Rear (radial) Blade				Rear Blade (Wide U/C)			
	4.2 mt				3.7 mt			
Counterweight	1 PC				VA			
Boom Type	1 PC				VA			
Stick Length	2.90 m (9'6")	2.20 m (7'3")	2.50 m (8'2")	2.90 m (9'6")	2.20 m (7'3")	2.50 m (8'2")	2.90 m (9'6")	2.20 m (7'3")
G313 GC	✓	✓	✓	✓	✓	✓	✓	✓
G314	✓	✓	✓	✓	✓	✓	✓	✓
G317 GC					✓	✓		

### S60 Dedicated Coupler, continued

Undercarriage	Rear Blade (Wide U/C)							
	3.7 mt				4.2 mt			
Counterweight	VA				1 PC			
Boom Type	VA				VA			
Stick Length	2.50 m (8'2")	2.90 m (9'6")	2.20 m (7'3")	2.50 m (8'2")	2.90 m (9'6")	2.20 m (7'3")	2.50 m (8'2")	2.90 m (9'6")
G313 GC	✓	✓	✓	✓	✓	✓	✓	✓
G314	✓	✓	✓	✓	✓	✓	✓	✓
G317 GC			✓	✓				

### TRS14-CW-30s

Undercarriage	Front and Rear Outriggers							
	3.7 mt				4.2 mt			
Counterweight	1 PC				VA			
Boom Type	1 PC				VA			
Stick Length	2.20 m (7'3")	2.50 m (8'2")	2.90 m (9'6")	2.20 m (7'3")	2.50 m (8'2")	2.90 m (9'6")	2.20 m (7'3")	2.50 m (8'2")
G212 GC	✓	✓	✓		✓	✓	✓	✓
G212 GC-fixed CAN	✓	✓	✓	✓	✓	✓	✓	✓
G213 GC	✓	✓	✓		✓		✓	✓
G213 GC-fixed CAN	✓	✓	✓		✓	✓	✓	✓

### TRS14-CW-30s, continued

Undercarriage	Front and Rear Outriggers				Front Blade; Rear Outriggers			
	4.2 mt				3.7 mt			
Counterweight	1 PC				VA			
Boom Type	1 PC				VA			
Stick Length	2.90 m (9'6")	2.20 m (7'3")	2.50 m (8'2")	2.90 m (9'6")	2.20 m (7'3")	2.50 m (8'2")	2.90 m (9'6")	2.20 m (7'3")
G212 GC	✓		✓	✓	✓	✓	✓	
G212 GC-fixed CAN	✓	✓	✓	✓	✓	✓	✓	✓
G213 GC	✓		✓		✓	✓	✓	
G213 GC-fixed CAN	✓		✓	✓	✓	✓	✓	

(continued on next page)

# Demolition & Sorting Grapples for Wheeled Excavators

## Matching – Wheeled Excavators (continued)

Match       \* Working range front only       No Match

### M318, continued TRS14-CW-30s, continued

Undercarriage	Front Blade; Rear Outriggers							
Counterweight	3.7 mt				4.2 mt			
Boom Type	VA		1 PC		VA		VA	
Stick Length	2.50 m (8'2")	2.90 m (9'6")	2.20 m (7'3")	2.50 m (8'2")	2.90 m (9'6")	2.20 m (7'3")	2.50 m (8'2")	2.90 m (9'6")
G212 GC	✓	✓	✓	✓	✓		✓	✓
G212 GC-fixed CAN	✓	✓	✓	✓	✓	✓	✓	✓
G213 GC	✓		✓	✓	✓		✓	
G213 GC-fixed CAN	✓	✓	✓	✓	✓		✓	✓

### TRS14-CW-30s, continued

Undercarriage	Front Outriggers; Rear blade (Wide U/C)							
Counterweight	3.7 mt						4.2 mt	
Boom Type	1 PC			VA			1 PC	
Stick Length	2.20 m (7'3")	2.50 m (8'2")	2.90 m (9'6")	2.20 m (7'3")	2.50 m (8'2")	2.90 m (9'6")	2.20 m (7'3")	2.50 m (8'2")
G212 GC	✓	✓	✓		✓	✓	✓	✓
G212 GC-fixed CAN	✓	✓	✓	✓	✓	✓	✓	✓
G213 GC	✓	✓	✓		✓		✓	✓
G213 GC-fixed CAN	✓	✓	✓		✓	✓	✓	✓

### TRS14-CW-30s, continued

Undercarriage	Front Outriggers; Rear blade (Wide U/C)				Front Outriggers; Rear (parallel) Blade			
Counterweight	4.2 mt				3.7 mt			
Boom Type	1 PC		VA		1 PC		VA	
Stick Length	2.90 m (9'6")	2.20 m (7'3")	2.50 m (8'2")	2.90 m (9'6")	2.20 m (7'3")	2.50 m (8'2")	2.90 m (9'6")	2.20 m (7'3")
G212 GC	✓		✓	✓	✓	✓	✓	
G212 GC-fixed CAN	✓	✓	✓	✓	✓	✓	✓	✓
G213 GC	✓		✓		✓	✓	✓	
G213 GC-fixed CAN	✓		✓	✓	✓	✓	✓	

### TRS14-CW-30s, continued

Undercarriage	Front Outriggers; Rear (parallel) Blade							
Counterweight	3.7 mt				4.2 mt			
Boom Type	VA		1 PC		VA		VA	
Stick Length	2.50 m (8'2")	2.90 m (9'6")	2.20 m (7'3")	2.50 m (8'2")	2.90 m (9'6")	2.20 m (7'3")	2.50 m (8'2")	2.90 m (9'6")
G212 GC	✓	✓	✓	✓	✓		✓	✓
G212 GC-fixed CAN	✓	✓	✓	✓	✓	✓	✓	✓
G213 GC	✓		✓	✓	✓		✓	
G213 GC-fixed CAN	✓	✓	✓	✓	✓		✓	✓

### TRS14-CW-30s, continued

Undercarriage	Front Outriggers; Rear (radial) blade							
Counterweight	3.7 mt						4.2 mt	
Boom Type	1 PC			VA			1 PC	
Stick Length	2.20 m (7'3")	2.50 m (8'2")	2.90 m (9'6")	2.20 m (7'3")	2.50 m (8'2")	2.90 m (9'6")	2.20 m (7'3")	2.50 m (8'2")
G212 GC	✓	✓	✓		✓	✓	✓	✓
G212 GC-fixed CAN	✓	✓	✓	✓	✓	✓	✓	✓
G213 GC	✓	✓	✓		✓		✓	✓
G213 GC-fixed CAN	✓	✓	✓		✓	✓	✓	✓

continued on next page)

# Demolition & Sorting Grapples for Wheeled Excavators

## Matching – Wheeled Excavators (continued)

Match       \* Working range front only       No Match

### M318, continued TRS14-CW-30s, continued

Undercarriage	Front Outriggers; Rear (radial) blade				Rear (parallel) Blade			
Counterweight	4.2 mt				3.7 mt			
Boom Type	1 PC	VA			1 PC			VA
Stick Length	2.90 m (9'6")	2.20 m (7'3")	2.50 m (8'2")	2.90 m (9'6")	2.20 m (7'3")	2.50 m (8'2")	2.90 m (9'6")	2.20 m (7'3")
G212 GC	✓		✓	✓	✓	✓	✓*	
G212 GC-fixed CAN	✓	✓	✓	✓	✓	✓	✓*	✓
G213 GC	✓		✓		✓*	✓*		
G213 GC-fixed CAN	✓		✓	✓	✓	✓		

### TRS14-CW-30s, continued

Undercarriage	Rear (parallel) Blade							Rear (radial) Blade
Counterweight	3.7 mt	4.2 mt				3.7 mt		
Boom Type	VA	1 PC			VA			1 PC
Stick Length	2.50 m (8'2")	2.20 m (7'3")	2.50 m (8'2")	2.90 m (9'6")	2.20 m (7'3")	2.50 m (8'2")	2.90 m (9'6")	2.20 m (7'3")
G212 GC	✓*	✓	✓	✓		✓	✓*	✓
G212 GC-fixed CAN	✓	✓	✓	✓	✓	✓	✓	✓
G213 GC		✓	✓	✓*		✓*		✓*
G213 GC-fixed CAN	✓*	✓	✓	✓		✓	✓*	✓

### TRS14-CW-30s, continued

Undercarriage	Rear (radial) Blade							
Counterweight	3.7 mt				4.2 mt			
Boom Type	1 PC		VA		1 PC		VA	
Stick Length	2.50 m (8'2")	2.90 m (9'6")	2.20 m (7'3")	2.50 m (8'2")	2.20 m (7'3")	2.50 m (8'2")	2.90 m (9'6")	2.20 m (7'3")
G212 GC	✓	✓*		✓*	✓	✓	✓	
G212 GC-fixed CAN	✓	✓*	✓	✓	✓	✓	✓	✓
G213 GC	✓*				✓	✓	✓*	
G213 GC-fixed CAN	✓			✓*	✓	✓	✓	

### TRS14-CW-30s, continued

Undercarriage	Rear (radial) Blade		Rear Blade (Wide U/C)					
Counterweight	4.2 mt		3.7 mt					
Boom Type	VA		1 PC			VA		
Stick Length	2.50 m (8'2")	2.90 m (9'6")	2.20 m (7'3")	2.50 m (8'2")	2.90 m (9'6")	2.20 m (7'3")	2.50 m (8'2")	2.90 m (9'6")
G212 GC	✓	✓*	✓	✓	✓		✓	✓
G212 GC-fixed CAN	✓	✓	✓	✓	✓	✓	✓	✓
G213 GC	✓*		✓	✓	✓*		✓	
G213 GC-fixed CAN	✓	✓*	✓	✓	✓		✓	✓*

### TRS14-CW-30s, continued

Undercarriage	Rear Blade (Wide U/C)					
Counterweight	4.2 mt					
Boom Type	1 PC			VA		
Stick Length	2.20 m (7'3")	2.50 m (8'2")	2.90 m (9'6")	2.20 m (7'3")	2.50 m (8'2")	2.90 m (9'6")
G212 GC	✓	✓	✓		✓	✓
G212 GC-fixed CAN	✓	✓	✓	✓	✓	✓
G213 GC	✓	✓	✓		✓	
G213 GC-fixed CAN	✓	✓	✓		✓	✓

(continued on next page)



# Demolition & Sorting Grapples for Wheeled Excavators

## Matching – Wheeled Excavators (continued)

Match       \* Working range front only       No Match

### M318, continued TRS14-CW-30

Undercarriage	Front and Rear Outriggers							
Counterweight	3.7 mt						4.2 mt	
Boom Type	1 PC			VA			1 PC	
Stick Length	2.20 m (7'3")	2.50 m (8'2")	2.90 m (9'6")	2.20 m (7'3")	2.50 m (8'2")	2.90 m (9'6")	2.20 m (7'3")	2.50 m (8'2")
G212 GC	✓	✓	✓		✓	✓	✓	✓
G212 GC-fixed CAN	✓	✓	✓	✓	✓	✓	✓	✓
G213 GC	✓	✓					✓	✓
G213 GC-fixed CAN	✓	✓	✓		✓	✓	✓	✓

### TRS14-CW-30, continued

Undercarriage	Front and Rear Outriggers				Front Blade; Rear Outriggers			
Counterweight	4.2 mt				3.7 mt			
Boom Type	1 PC	VA		1 PC		VA		
Stick Length	2.90 m (9'6")	2.20 m (7'3")	2.50 m (8'2")	2.90 m (9'6")	2.20 m (7'3")	2.50 m (8'2")	2.90 m (9'6")	2.20 m (7'3")
G212 GC	✓		✓	✓	✓	✓	✓	
G212 GC-fixed CAN	✓	✓	✓	✓	✓	✓	✓	✓
G213 GC					✓	✓		
G213 GC-fixed CAN	✓		✓	✓	✓	✓	✓	

### TRS14-CW-30, continued

Undercarriage	Front Blade; Rear Outriggers							
Counterweight	3.7 mt				4.2 mt			
Boom Type	VA		1 PC		VA			
Stick Length	2.50 m (8'2")	2.90 m (9'6")	2.20 m (7'3")	2.50 m (8'2")	2.90 m (9'6")	2.20 m (7'3")	2.50 m (8'2")	2.90 m (9'6")
G212 GC	✓	✓	✓	✓	✓		✓	✓
G212 GC-fixed CAN	✓	✓	✓	✓	✓	✓	✓	✓
G213 GC			✓	✓				
G213 GC-fixed CAN	✓	✓	✓	✓	✓		✓	✓

### TRS14-CW-30, continued

Undercarriage	Front Outriggers; Rear blade (Wide U/C)							
Counterweight	3.7 mt						4.2 mt	
Boom Type	1 PC			VA			1 PC	
Stick Length	2.20 m (7'3")	2.50 m (8'2")	2.90 m (9'6")	2.20 m (7'3")	2.50 m (8'2")	2.90 m (9'6")	2.20 m (7'3")	2.50 m (8'2")
G212 GC	✓	✓	✓		✓	✓	✓	✓
G212 GC-fixed CAN	✓	✓	✓	✓	✓	✓	✓	✓
G213 GC	✓	✓					✓	✓
G213 GC-fixed CAN	✓	✓	✓		✓	✓	✓	✓

### TRS14-CW-30, continued

Undercarriage	Front Outriggers; Rear blade (Wide U/C)				Front Outriggers; Rear (parallel) Blade			
Counterweight	4.2 mt				3.7 mt			
Boom Type	1 PC	VA		1 PC		VA		
Stick Length	2.90 m (9'6")	2.20 m (7'3")	2.50 m (8'2")	2.90 m (9'6")	2.20 m (7'3")	2.50 m (8'2")	2.90 m (9'6")	2.20 m (7'3")
G212 GC	✓		✓	✓	✓	✓	✓	
G212 GC-fixed CAN	✓	✓	✓	✓	✓	✓	✓	✓
G213 GC					✓	✓		
G213 GC-fixed CAN	✓		✓	✓	✓	✓	✓	

(continued on next page)

# Demolition & Sorting Grapples for Wheeled Excavators

## Matching – Wheeled Excavators (continued)

Match       \* Working range front only       No Match

### M318, continued TRS14-CW-30, continued

Undercarriage	Front Outriggers; Rear (parallel) Blade							
Counterweight	3.7 mt				4.2 mt			
Boom Type	VA		1 PC		VA		VA	
Stick Length	2.50 m (8'2")	2.90 m (9'6")	2.20 m (7'3")	2.50 m (8'2")	2.90 m (9'6")	2.20 m (7'3")	2.50 m (8'2")	2.90 m (9'6")
G212 GC	✓	✓	✓	✓	✓		✓	✓
G212 GC-fixed CAN	✓	✓	✓	✓	✓	✓	✓	✓
G213 GC			✓	✓				
G213 GC-fixed CAN	✓	✓	✓	✓	✓		✓	✓

### TRS14-CW-30, continued

Undercarriage	Front Outriggers; Rear (radial) blade							
Counterweight	3.7 mt						4.2 mt	
Boom Type	1 PC			VA			1 PC	
Stick Length	2.20 m (7'3")	2.50 m (8'2")	2.90 m (9'6")	2.20 m (7'3")	2.50 m (8'2")	2.90 m (9'6")	2.20 m (7'3")	2.50 m (8'2")
G212 GC	✓	✓	✓		✓	✓	✓	✓
G212 GC-fixed CAN	✓	✓	✓	✓	✓	✓	✓	✓
G213 GC	✓	✓					✓	✓
G213 GC-fixed CAN	✓	✓	✓		✓	✓	✓	✓

### TRS14-CW-30, continued

Undercarriage	Front Outriggers; Rear (radial) blade				Rear (parallel) Blade			
Counterweight	4.2 mt							
Boom Type	1 PC	VA		1 PC		VA		
Stick Length	2.90 m (9'6")	2.20 m (7'3")	2.50 m (8'2")	2.90 m (9'6")	2.20 m (7'3")	2.50 m (8'2")	2.90 m (9'6")	2.20 m (7'3")
G212 GC	✓		✓	✓	✓	✓*		
G212 GC-fixed CAN	✓	✓	✓	✓	✓	✓	✓*	✓
G213 GC					✓*			
G213 GC-fixed CAN	✓		✓	✓	✓	✓*		

### TRS14-CW-30, continued

Undercarriage	Rear (parallel) Blade							Rear (radial) Blade
Counterweight	3.7 mt	4.2 mt					3.7 mt	
Boom Type	VA	1 PC		VA			1 PC	
Stick Length	2.50 m (8'2")	2.20 m (7'3")	2.50 m (8'2")	2.90 m (9'6")	2.20 m (7'3")	2.50 m (8'2")	2.90 m (9'6")	2.20 m (7'3")
G212 GC		✓	✓	✓*		✓	✓*	✓
G212 GC-fixed CAN	✓*	✓	✓	✓	✓	✓	✓*	✓
G213 GC		✓	✓					✓*
G213 GC-fixed CAN		✓	✓	✓*		✓	✓*	✓

### TRS14-CW-30, continued

Undercarriage	Rear (radial) Blade							
Counterweight	3.7 mt				4.2 mt			
Boom Type	1 PC		VA		1 PC		VA	
Stick Length	2.50 m (8'2")	2.90 m (9'6")	2.20 m (7'3")	2.50 m (8'2")	2.20 m (7'3")	2.50 m (8'2")	2.90 m (9'6")	2.20 m (7'3")
G212 GC	✓*				✓	✓	✓*	
G212 GC-fixed CAN	✓	✓*	✓	✓*	✓	✓	✓	✓
G213 GC					✓	✓		
G213 GC-fixed CAN	✓*				✓	✓	✓*	

(continued on next page)

# Demolition & Sorting Grapples for Wheeled Excavators

## Matching – Wheeled Excavators (continued)

Match       \* Working range front only       No Match

### M318, continued TRS14-CW-30, continued

Undercarriage	Rear (radial) Blade			Rear Blade (Wide U/C)				
	4.2 mt			3.7 mt				
Counterweight	4.2 mt			3.7 mt				
Boom Type	VA			1 PC		VA		
Stick Length	2.50 m (8'2")	2.90 m (9'6")	2.20 m (7'3")	2.50 m (8'2")	2.90 m (9'6")	2.20 m (7'3")	2.50 m (8'2")	2.90 m (9'6")
G212 GC	✓	✓*	✓	✓	✓		✓	✓*
G212 GC-fixed CAN	✓	✓*	✓	✓	✓	✓	✓	✓
G213 GC			✓	✓				
G213 GC-fixed CAN	✓	✓*	✓	✓	✓		✓	✓*

### TRS14-CW-30, continued

Undercarriage	Rear Blade (Wide U/C)					
	4.2 mt					
Counterweight	4.2 mt					
Boom Type	1 PC			VA		
Stick Length	2.20 m (7'3")	2.50 m (8'2")	2.90 m (9'6")	2.20 m (7'3")	2.50 m (8'2")	2.90 m (9'6")
G212 GC	✓	✓	✓		✓	✓
G212 GC-fixed CAN	✓	✓	✓	✓	✓	✓
G213 GC	✓	✓				
G213 GC-fixed CAN	✓	✓	✓		✓	✓

### TRS14-S60

Undercarriage	Front and Rear Outriggers							
	3.7 mt						4.2 mt	
Counterweight	3.7 mt						4.2 mt	
Boom Type	1 PC			VA			1 PC	
Stick Length	2.20 m (7'3")	2.50 m (8'2")	2.90 m (9'6")	2.20 m (7'3")	2.50 m (8'2")	2.90 m (9'6")	2.20 m (7'3")	2.50 m (8'2")
G212 GC	✓	✓	✓	✓	✓	✓	✓	✓
G213 GC	✓	✓	✓	✓	✓	✓	✓	✓

### TRS14-S60, continued

Undercarriage	Front and Rear Outriggers				Front Blade; Rear Outriggers			
	4.2 mt				3.7 mt			
Counterweight	4.2 mt				3.7 mt			
Boom Type	1 PC	VA		1 PC		VA		
Stick Length	2.90 m (9'6")	2.20 m (7'3")	2.50 m (8'2")	2.90 m (9'6")	2.20 m (7'3")	2.50 m (8'2")	2.90 m (9'6")	2.20 m (7'3")
G212 GC	✓	✓	✓	✓	✓	✓	✓	✓
G213 GC	✓	✓	✓	✓	✓	✓	✓	✓

### TRS14-S60, continued

Undercarriage	Front Blade; Rear Outriggers							
	3.7 mt				4.2 mt			
Counterweight	3.7 mt				4.2 mt			
Boom Type	VA		1 PC		VA		VA	
Stick Length	2.50 m (8'2")	2.90 m (9'6")	2.20 m (7'3")	2.50 m (8'2")	2.90 m (9'6")	2.20 m (7'3")	2.50 m (8'2")	2.90 m (9'6")
G212 GC	✓	✓	✓	✓	✓	✓	✓	✓
G213 GC	✓	✓	✓	✓	✓	✓	✓	✓

### TRS14-S60, continued

Undercarriage	Front Outriggers; Rear blade (Wide U/C)							
	3.7 mt						4.2 mt	
Counterweight	3.7 mt						4.2 mt	
Boom Type	1 PC			VA			1 PC	
Stick Length	2.20 m (7'3")	2.50 m (8'2")	2.90 m (9'6")	2.20 m (7'3")	2.50 m (8'2")	2.90 m (9'6")	2.20 m (7'3")	2.50 m (8'2")
G212 GC	✓	✓	✓	✓	✓	✓	✓	✓
G213 GC	✓	✓	✓	✓	✓	✓	✓	✓

(continued on next page)

# Demolition & Sorting Grapples for Wheeled Excavators

## Matching – Wheeled Excavators (continued)

Match       \* Working range front only       No Match

### M318, continued TRS14-S60, continued

Undercarriage	Front Outriggers; Rear blade (Wide U/C)				Front Outriggers; Rear (parallel) Blade			
Counterweight	4.2 mt				3.7 mt			
Boom Type	1 PC	VA			1 PC			VA
Stick Length	2.90 m (9'6")	2.20 m (7'3")	2.50 m (8'2")	2.90 m (9'6")	2.20 m (7'3")	2.50 m (8'2")	2.90 m (9'6")	2.20 m (7'3")
G212 GC	✓	✓	✓	✓	✓	✓	✓	✓
G213 GC	✓	✓	✓	✓	✓	✓	✓	✓

### TRS14-S60, continued

Undercarriage	Front Outriggers; Rear (parallel) Blade							
Counterweight	3.7 mt				4.2 mt			
Boom Type	VA		1 PC			VA		
Stick Length	2.50 m (8'2")	2.90 m (9'6")	2.20 m (7'3")	2.50 m (8'2")	2.90 m (9'6")	2.20 m (7'3")	2.50 m (8'2")	2.90 m (9'6")
G212 GC	✓	✓	✓	✓	✓	✓	✓	✓
G213 GC	✓	✓	✓	✓	✓	✓	✓	✓

### TRS14-S60, continued

Undercarriage	Front Outriggers; Rear (radial) blade							
Counterweight	3.7 mt						4.2 mt	
Boom Type	1 PC			VA			1 PC	
Stick Length	2.20 m (7'3")	2.50 m (8'2")	2.90 m (9'6")	2.20 m (7'3")	2.50 m (8'2")	2.90 m (9'6")	2.20 m (7'3")	2.50 m (8'2")
G212 GC	✓	✓	✓	✓	✓	✓	✓	✓
G213 GC	✓	✓	✓	✓	✓	✓	✓	✓

### TRS14-S60, continued

Undercarriage	Front Outriggers; Rear (radial) blade				Rear (parallel) Blade			
Counterweight	4.2 mt				3.7 mt			
Boom Type	1 PC	VA			1 PC			VA
Stick Length	2.90 m (9'6")	2.20 m (7'3")	2.50 m (8'2")	2.90 m (9'6")	2.20 m (7'3")	2.50 m (8'2")	2.90 m (9'6")	2.20 m (7'3")
G212 GC	✓	✓	✓	✓	✓	✓	✓	✓
G213 GC	✓	✓	✓	✓	✓	✓	✓*	✓

### TRS14-S60, continued

Undercarriage	Rear (parallel) Blade							
Counterweight	3.7 mt				4.2 mt			
Boom Type	VA		1 PC			VA		
Stick Length	2.50 m (8'2")	2.90 m (9'6")	2.20 m (7'3")	2.50 m (8'2")	2.90 m (9'6")	2.20 m (7'3")	2.50 m (8'2")	2.90 m (9'6")
G212 GC	✓	✓*	✓	✓	✓	✓	✓	✓
G213 GC	✓*		✓	✓	✓	✓	✓	✓*

### TRS14-S60, continued

Undercarriage	Rear (radial) Blade							
Counterweight	3.7 mt						4.2 mt	
Boom Type	1 PC			VA			1 PC	
Stick Length	2.20 m (7'3")	2.50 m (8'2")	2.90 m (9'6")	2.20 m (7'3")	2.50 m (8'2")	2.90 m (9'6")	2.20 m (7'3")	2.50 m (8'2")
G212 GC	✓	✓	✓	✓	✓	✓*	✓	✓
G213 GC	✓	✓	✓*	✓	✓*		✓	✓

(continued on next page)

# Demolition & Sorting Grapples for Wheeled Excavators

## Matching – Wheeled Excavators (continued)

Match       \* Working range front only       No Match

### M318, continued TRS14-S60, continued

Undercarriage	Rear (radial) Blade				Rear Blade (Wide U/C)			
Counterweight	4.2 mt				3.7 mt			
Boom Type	1 PC	VA			1 PC			VA
Stick Length	2.90 m (9'6")	2.20 m (7'3")	2.50 m (8'2")	2.90 m (9'6")	2.20 m (7'3")	2.50 m (8'2")	2.90 m (9'6")	2.20 m (7'3")
G212 GC	✓	✓	✓	✓	✓	✓	✓	✓
G213 GC	✓	✓	✓	✓*	✓	✓	✓	✓

### TRS14-S60, continued

Undercarriage	Rear Blade (Wide U/C)							
Counterweight	3.7 mt				4.2 mt			
Boom Type	VA			1 PC		VA		
Stick Length	2.50 m (8'2")	2.90 m (9'6")	2.20 m (7'3")	2.50 m (8'2")	2.90 m (9'6")	2.20 m (7'3")	2.50 m (8'2")	2.90 m (9'6")
G212 GC	✓	✓	✓	✓	✓	✓	✓	✓
G213 GC	✓	✓	✓	✓	✓	✓	✓	✓

### M319 Pin-on

Undercarriage	Front and Rear Outriggers			Front Blade; Rear Outriggers		
Counterweight	5.0 mt			5.0 mt		
Boom Type	VA			VA		
Stick Length	2.20 m (7'3")	2.50 m (8'2")	2.90 m (9'6")	2.20 m (7'3")	2.50 m (8'2")	2.90 m (9'6")
G313 GC	✓	✓	✓	✓	✓	✓
G314	✓	✓	✓	✓	✓	✓

### Pin-on, continued

Undercarriage	Front Outriggers; Rear Blade (Wide U/C)			Front Outriggers; Rear Blade		
Counterweight	5.0 mt			5.0 mt		
Boom Type	VA			VA		
Stick Length	2.20 m (7'3")	2.50 m (8'2")	2.90 m (9'6")	2.20 m (7'3")	2.50 m (8'2")	2.90 m (9'6")
G313 GC	✓	✓	✓	✓	✓	✓
G314	✓	✓	✓	✓	✓	✓

### Pin-on, continued

Undercarriage	Rear Blade			Rear Blade (Wide U/C)		
Counterweight	5.0 mt			5.0 mt		
Boom Type	VA			VA		
Stick Length	2.20 m (7'3")	2.50 m (8'2")	2.90 m (9'6")	2.20 m (7'3")	2.50 m (8'2")	2.90 m (9'6")
G313 GC	✓	✓	✓	✓	✓	✓
G314	✓	✓	✓	✓	✓	✓

### CW-30s Dedicated Coupler

Undercarriage	Front and Rear Outriggers		Front Blade; Rear Outriggers		Front Outriggers; Rear Blade (Wide U/C)		Front Outriggers; Rear Blade	
Counterweight	5.0 mt		5.0 mt		5.0 mt		5.0 mt	
Boom Type	VA		VA		VA		VA	
Stick Length	2.50 m (8'2")	2.90 m (9'6")	2.50 m (8'2")	2.90 m (9'6")	2.50 m (8'2")	2.90 m (9'6")	2.50 m (8'2")	2.90 m (9'6")
G313 GC	✓	✓	✓	✓	✓	✓	✓	✓
G314	✓	✓	✓	✓	✓	✓	✓	✓

(continued on next page)

# Demolition & Sorting Grapples for Wheeled Excavators

## Matching – Wheeled Excavators (continued)

Match
  \* Working range front only
  No Match

### M319, continued CW-30s Dedicated Coupler, continued

Undercarriage	Rear Blade		Rear Blade (Wide U/C)	
Counterweight	5.0 mt		5.0 mt	
Boom Type	VA		VA	
Stick Length	2.50 m (8'2")	2.90 m (9'6")	2.50 m (8'2")	2.90 m (9'6")
G313 GC	✓	✓	✓	✓
G314	✓	✓*	✓	✓

### CW-30 Dedicated Coupler

Undercarriage	Front and Rear Outriggers			Front Blade; Rear Outriggers		
Counterweight	5.0 mt			5.0 mt		
Boom Type	VA			VA		
Stick Length	2.20 m (7'3")	2.50 m (8'2")	2.90 m (9'6")	2.20 m (7'3")	2.50 m (8'2")	2.90 m (9'6")
G313 GC	✓	✓	✓	✓	✓	✓
G313 GC-fixed CAN	✓	✓	✓	✓	✓	✓
G314	✓	✓	✓	✓	✓	✓

### CW-30 Dedicated Coupler, continued

Undercarriage	Front Outriggers; Rear Blade (Wide U/C)			Front Outriggers; Rear Blade		
Counterweight	5.0 mt			5.0 mt		
Boom Type	VA			VA		
Stick Length	2.20 m (7'3")	2.50 m (8'2")	2.90 m (9'6")	2.20 m (7'3")	2.50 m (8'2")	2.90 m (9'6")
G313 GC	✓	✓	✓	✓	✓	✓
G313 GC-fixed CAN	✓	✓	✓	✓	✓	✓
G314	✓	✓	✓	✓	✓	✓

### CW-30 Dedicated Coupler, continued

Undercarriage	Rear Blade			Rear Blade (Wide U/C)		
Counterweight	5.0 mt			5.0 mt		
Boom Type	VA			VA		
Stick Length	2.20 m (7'3")	2.50 m (8'2")	2.90 m (9'6")	2.20 m (7'3")	2.50 m (8'2")	2.90 m (9'6")
G313 GC	✓	✓	✓*	✓	✓	✓
G313 GC-fixed CAN	✓	✓	✓	✓	✓	✓
G314	✓	✓	✓*	✓	✓	✓

### S60 Dedicated Coupler

Undercarriage	Front and Rear Outriggers	Front Blade; Rear Outriggers	Front Outriggers; Rear Blade (Wide U/C)	Front Outriggers; Rear Blade	Rear Blade	Rear Blade (Wide U/C)
Counterweight	5.0 mt	5.0 mt	5.0 mt	5.0 mt	5.0 mt	5.0 mt
Boom Type	VA	VA	VA	VA	VA	VA
Stick Length	2.50 m (8'2")	2.50 m (8'2")	2.50 m (8'2")	2.50 m (8'2")	2.50 m (8'2")	2.50 m (8'2")
G313 GC	✓	✓	✓	✓	✓	✓

(continued on next page)

# Demolition & Sorting Grapples for Wheeled Excavators

## Matching – Wheeled Excavators (continued)

Match       \* Working range front only       No Match

### M319, continued TRS14 (Pin-on top/S60 bottom)

Undercarriage	Front and Rear Outriggers		Front Blade; Rear Outriggers		Front Outriggers; Rear Blade (Wide U/C)		Front Outriggers; Rear Blade	
Counterweight	5.0 mt		5.0 mt		5.0 mt		5.0 mt	
Boom Type	VA		VA		VA		VA	
Stick Length	2.50 m (8'2")	2.90 m (9'6")	2.50 m (8'2")	2.90 m (9'6")	2.50 m (8'2")	2.90 m (9'6")	2.50 m (8'2")	2.90 m (9'6")
G212 GC	✓	✓	✓	✓	✓	✓	✓	✓

### TRS14 (Pin-on top/S60 bottom), continued

Undercarriage	Rear Blade		Rear Blade (Wide U/C)	
Counterweight	5.0 MT		5.0 MT	
Boom Type	VA		VA	
Stick Length	2.50 m (8'2")	2.90 m (9'6")	2.50 m (8'2")	2.90 m (9'6")
G212 GC	✓	✓*	✓	✓

### M320D2 Pin-on

Undercarriage	Front and Rear Outriggers				Front Outriggers; Rear blade			
Counterweight	4.0 mt				4.0 mt			
Boom Type	1 PC		VA		1 PC		VA	
Stick Length	2.50 m (8'2")	2.80 m (9'2")	2.50 m (8'2")	2.80 m (9'2")	2.50 m (8'2")	2.80 m (9'2")	2.50 m (8'2")	2.80 m (9'2")
G317 GC	✓	✓	✓	✓	✓	✓	✓	✓
G318	✓		✓		✓		✓	
G318 WH-800	✓	✓	✓	✓	✓	✓	✓	✓
G318 WH-1100	✓				✓			

### Pin-on, continued

Undercarriage	Rear Blade			
Counterweight	4.0 mt			
Boom Type	1 PC		VA	
Stick Length	2.50 m (8'2")	2.80 m (9'2")	2.50 m (8'2")	2.80 m (9'2")
G317 GC	✓*	✓*	✓*	✓*
G318				
G318 WH-800				
G318 WH-1100				

### Pin Grabber Coupler

Undercarriage	Front and Rear Outriggers		Front Outriggers; Rear blade	
Counterweight	4.0 mt		4.0 mt	
Boom Type	1 PC	VA	1 PC	VA
Stick Length	2.50 m (8'2")	2.50 m (8'2")	2.50 m (8'2")	2.50 m (8'2")
G317 GC	✓	✓	✓	✓
G318 WH-800	✓		✓	

(continued on next page)

# Demolition & Sorting Grapples for Wheeled Excavators

## Matching – Wheeled Excavators (continued)

Match
  \* Working range front only
  No Match

### M320D2, continued CW-30s Dedicated Coupler

Undercarriage	Front and Rear Outriggers				Front Outriggers; Rear blade			
Counterweight	4.0 mt				4.0 mt			
Boom Type	1 PC		VA		1 PC		VA	
Stick Length	2.50 m (8'2")	2.80 m (9'2")	2.50 m (8'2")	2.80 m (9'2")	2.50 m (8'2")	2.80 m (9'2")	2.50 m (8'2")	2.80 m (9'2")
G317 GC	✓	✓	✓	✓	✓	✓	✓	✓
G318	✓				✓			
G318 WH-800	✓	✓	✓	✓	✓	✓	✓	✓
G318 WH-1100	✓				✓			

### CW-30s Dedicated Coupler, continued

Undercarriage	Rear Blade
Counterweight	4.0 mt
Boom Type	1 PC
Stick Length	2.50 m (8'2")
G317 GC	✓*
G318	
G318 WH-800	
G318 WH-1100	

### CW-30 Dedicated Coupler

Undercarriage	Front and Rear Outriggers				Front Outriggers; Rear blade			
Counterweight	4.0 mt				4.0 mt			
Boom Type	1 PC		VA		1 PC		VA	
Stick Length	2.50 m (8'2")	2.80 m (9'2")	2.50 m (8'2")	2.80 m (9'2")	2.50 m (8'2")	2.80 m (9'2")	2.50 m (8'2")	2.80 m (9'2")
G317 GC	✓	✓	✓	✓	✓	✓	✓	✓
G317 GC-fixed CAN	✓	✓	✓	✓	✓	✓	✓	✓
G318	✓				✓			
G318-fixed CAN	✓				✓			
G318 WH-800	✓	✓	✓	✓	✓	✓	✓	✓
G318 WH-1100	✓				✓			

### CW-30 Dedicated Coupler, continued

Undercarriage	Rear Blade	
Counterweight	4.0 mt	
Boom Type	1 PC	VA
Stick Length	2.50 m (8'2")	2.50 m (8'2")
G317 GC		
G317 GC-fixed CAN	✓*	✓*
G318		
G318-fixed CAN		
G318 WH-800		
G318 WH-1100		

(continued on next page)



# Demolition & Sorting Grapples for Wheeled Excavators

## Matching – Wheeled Excavators (continued)

Match       \* Working range front only       No Match

### M320F Pin-on

Undercarriage	Front and Rear Outriggers							
Counterweight	3.7 mt				4.2 mt			
Boom Type	1 PC		VA		1 PC		VA	
Stick Length	2.50 m (8'2")	2.80 m (9'2")	2.50 m (8'2")	2.80 m (9'2")	2.50 m (8'2")	2.80 m (9'2")	2.50 m (8'2")	2.80 m (9'2")
G317 GC	✓	✓	✓	✓	✓	✓	✓	✓
G318	✓	✓	✓		✓	✓	✓	
G318 WH-800	✓	✓	✓	✓	✓	✓	✓	✓
G318 WH-1100	✓				✓			

### Pin-on, continued

Undercarriage	Front Outriggers; Rear blade (Wide U/C)							
Counterweight	3.7 mt				4.2 mt			
Boom Type	1 PC		VA		1 PC		VA	
Stick Length	2.50 m (8'2")	2.80 m (9'2")	2.50 m (8'2")	2.80 m (9'2")	2.50 m (8'2")	2.80 m (9'2")	2.50 m (8'2")	2.80 m (9'2")
G317 GC	✓	✓	✓	✓	✓	✓	✓	✓
G318	✓	✓	✓	✓	✓	✓	✓	✓
G318 WH-800	✓	✓	✓	✓	✓	✓	✓	✓
G318 WH-1100	✓				✓			

### Pin-on, continued

Undercarriage	Front Outriggers; Rear blade							
Counterweight	3.7 mt				4.2 mt			
Boom Type	1 PC		VA		1 PC		VA	
Stick Length	2.50 m (8'2")	2.80 m (9'2")	2.50 m (8'2")	2.80 m (9'2")	2.50 m (8'2")	2.80 m (9'2")	2.50 m (8'2")	2.80 m (9'2")
G317 GC	✓	✓	✓	✓	✓	✓	✓	✓
G318	✓	✓	✓		✓	✓	✓	
G318 WH-800	✓	✓	✓	✓	✓	✓	✓	✓
G318 WH-1100	✓				✓			

### Pin-on, continued

Undercarriage	Rear Blade					Rear Blade (Wide U/C)		
Counterweight	3.7 mt	4.2 mt			3.7 mt			
Boom Type	1 PC	1 PC		VA		1 PC		VA
Stick Length	2.50 m (8'2")	2.50 m (8'2")	2.80 m (9'2")	2.50 m (8'2")	2.80 m (9'2")	2.50 m (8'2")	2.80 m (9'2")	2.50 m (8'2")
G317 GC	✓*	✓	✓*	✓	✓*	✓	✓	✓
G318						✓*		
G318 WH-800		✓*		✓*		✓*	✓*	✓*
G318 WH-1100								

### Pin-on, continued

Undercarriage	Rear Blade (Wide U/C)				
Counterweight	3.7 mt	4.2 mt			
Boom Type	VA	1 PC		VA	
Stick Length	2.80 m (9'2")	2.50 m (8'2")	2.80 m (9'2")	2.50 m (8'2")	2.80 m (9'2")
G317 GC	✓*	✓	✓	✓	✓
G318		✓	✓*	✓	✓*
G318 WH-800		✓	✓	✓	✓
G318 WH-1100					

(continued on next page)

# Demolition & Sorting Grapples for Wheeled Excavators

## Matching – Wheeled Excavators (continued)

Match       \* Working range front only       No Match

### M320F, continued Pin Grabber Coupler

Undercarriage	Front and Rear Outriggers						Front Outriggers; Rear blade (Wide U/C)	
	3.7 mt			4.2 mt			3.7 mt	
Counterweight	1 PC		VA	1 PC		VA	1 PC	VA
Stick Length	2.50 m (8'2")	2.80 m (9'2")	2.50 m (8'2")	2.50 m (8'2")	2.80 m (9'2")	2.50 m (8'2")	2.50 m (8'2")	2.50 m (8'2")
G317 GC	✓	✓	✓	✓	✓	✓	✓	✓
G318	✓			✓				
G318 WH-800	✓			✓			✓	

### Pin Grabber Coupler, continued

Undercarriage	Front Outriggers; Rear blade (Wide U/C)		Front Outriggers; Rear blade					
	4.2 mt		3.7 mt			4.2 mt		
Counterweight	1 PC		VA		1 PC		VA	
Stick Length	2.50 m (8'2")	2.50 m (8'2")	2.50 m (8'2")	2.80 m (9'2")	2.50 m (8'2")	2.50 m (8'2")	2.80 m (9'2")	2.50 m (8'2")
G317 GC	✓	✓	✓	✓	✓	✓	✓	✓
G318			✓			✓		
G318 WH-800	✓		✓			✓		

### Pin Grabber Coupler, continued

Undercarriage	Rear Blade (Wide U/C)
Counterweight	4.2 mt
Boom Type	1 PC
Stick Length	2.50 m (8'2")
G317 GC	✓*
G318	
G318 WH-800	

### CW-30s Dedicated Coupler

Undercarriage	Front and Rear Outriggers						Front Outriggers; Rear blade (Wide U/C)	
	3.7 mt			4.2 mt			3.7 mt	
Counterweight	1 PC		VA	1 PC		VA	1 PC	
Stick Length	2.50 m (8'2")	2.80 m (9'2")	2.50 m (8'2")	2.50 m (8'2")	2.80 m (9'2")	2.50 m (8'2")	2.50 m (8'2")	2.80 m (9'2")
G317 GC	✓	✓	✓	✓	✓	✓	✓	✓
G318	✓	✓	✓	✓	✓	✓	✓	✓
G318 WH-800	✓	✓	✓	✓	✓	✓	✓	✓
G318 WH-1100	✓			✓			✓	

### CW-30s Dedicated Coupler, continued

Undercarriage	Front Outriggers; Rear blade (Wide U/C)						Front Outriggers; Rear blade	
	3.7 mt		4.2 mt				3.7 mt	
Counterweight	VA		1 PC		VA		1 PC	
Stick Length	2.50 m (8'2")	2.80 m (9'2")	2.50 m (8'2")	2.80 m (9'2")	2.50 m (8'2")	2.80 m (9'2")	2.50 m (8'2")	2.80 m (9'2")
G317 GC	✓	✓	✓	✓	✓	✓	✓	✓
G318	✓		✓	✓	✓		✓	✓
G318 WH-800	✓		✓	✓	✓		✓	✓
G318 WH-1100			✓				✓	

(continued on next page)

# Demolition & Sorting Grapples for Wheeled Excavators

## Matching – Wheeled Excavators (continued)

Match       \* Working range front only       No Match

### M320F, continued

#### CW-30s Dedicated Coupler, continued

Undercarriage	Front Outriggers; Rear blade				Rear Blade		Rear Blade (Wide U/C)	
	3.7 mt	4.2 mt			4.2 mt		3.7 mt	
Counterweight	VA	1 PC		VA	1 PC	VA	1 PC	
Stick Length	2.50 m (8'2")	2.50 m (8'2")	2.80 m (9'2")	2.50 m (8'2")	2.50 m (8'2")	2.50 m (8'2")	2.50 m (8'2")	2.80 m (9'2")
G317 GC	✓	✓	✓	✓	✓*	✓*	✓	✓*
G318	✓	✓	✓	✓				
G318 WH-800	✓	✓	✓	✓			✓*	
G318 WH-1100		✓						

#### CW-30s Dedicated Coupler, continued

Undercarriage	Rear Blade (Wide U/C)				
	3.7 mt	4.2 mt			
Counterweight	VA	1 PC		VA	
Stick Length	2.50 m (8'2")	2.50 m (8'2")	2.80 m (9'2")	2.50 m (8'2")	2.80 m (9'2")
G317 GC	✓*	✓	✓	✓	✓
G318		✓*		✓*	
G318 WH-800		✓	✓*	✓	
G318 WH-1100					

#### CW-30 Dedicated Coupler

Undercarriage	Front and Rear Outriggers							
	3.7 mt				4.2 mt			
Counterweight	1 PC		VA		1 PC		VA	
Stick Length	2.50 m (8'2")	2.80 m (9'2")	2.50 m (8'2")	2.80 m (9'2")	2.50 m (8'2")	2.80 m (9'2")	2.50 m (8'2")	2.80 m (9'2")
G317 GC	✓	✓	✓		✓	✓	✓	
G317 GC-fixed CAN	✓	✓	✓	✓	✓	✓	✓	✓
G318	✓	✓	✓		✓	✓	✓	
G318-fixed CAN	✓	✓	✓	✓	✓	✓	✓	✓
G318 WH-800	✓	✓	✓		✓	✓	✓	
G318 WH-1100	✓				✓			

#### CW-30 Dedicated Coupler, continued

Undercarriage	Front Outriggers; Rear blade (Wide U/C)							
	3.7 mt				4.2 mt			
Counterweight	1 PC		VA		1 PC		VA	
Stick Length	2.50 m (8'2")	2.80 m (9'2")	2.50 m (8'2")	2.80 m (9'2")	2.50 m (8'2")	2.80 m (9'2")	2.50 m (8'2")	2.80 m (9'2")
G317 GC	✓	✓	✓	✓	✓	✓	✓	✓
G317 GC-fixed CAN	✓	✓	✓	✓	✓	✓	✓	✓
G318	✓	✓	✓		✓	✓	✓	
G318-fixed CAN	✓	✓	✓		✓	✓	✓	
G318 WH-800	✓	✓	✓		✓	✓	✓	
G318 WH-1100	✓				✓			

(continued on next page)

# Demolition & Sorting Grapples for Wheeled Excavators

## Matching – Wheeled Excavators (continued)

Match       \* Working range front only       No Match

### M320F, continued CW-30 Dedicated Coupler, continued

Undercarriage	Front Outriggers; Rear blade							
Counterweight	3.7 mt				4.2 mt			
Boom Type	1 PC		VA		1 PC		VA	
Stick Length	2.50 m (8'2")	2.80 m (9'2")	2.50 m (8'2")	2.80 m (9'2")	2.50 m (8'2")	2.80 m (9'2")	2.50 m (8'2")	2.80 m (9'2")
G317 GC	✓	✓	✓		✓	✓	✓	
G317 GC-fixed CAN	✓	✓	✓	✓	✓	✓	✓	✓
G318	✓	✓	✓		✓	✓	✓	
G318-fixed CAN	✓	✓	✓	✓	✓	✓	✓	✓
G318 WH-800	✓	✓	✓		✓	✓	✓	
G318 WH-1100	✓				✓			

### CW-30 Dedicated Coupler, continued

Undercarriage	Rear Blade			Rear Blade (Wide U/C)				
Counterweight	4.2 mt			3.7 mt				4.2 mt
Boom Type	1 PC		VA	1 PC		VA		1 PC
Stick Length	2.50 m (8'2")	2.80 m (9'2")	2.50 m (8'2")	2.50 m (8'2")	2.80 m (9'2")	2.50 m (8'2")	2.80 m (9'2")	2.50 m (8'2")
G317 GC	✓*		✓*	✓*		✓*		✓
G317 GC-fixed CAN	✓	✓*	✓*	✓	✓*	✓	✓*	✓
G318								✓*
G318-fixed CAN								✓*
G318 WH-800								✓
G318 WH-1100								

### CW-30 Dedicated Coupler, continued

Undercarriage	Rear Blade (Wide U/C)		
Counterweight	4.2 mt		
Boom Type	1 PC	VA	
Stick Length	2.80 m (9'2")	2.50 m (8'2")	2.80 m (9'2")
G317 GC	✓	✓	✓*
G317 GC-fixed CAN	✓	✓	✓
G318		✓*	
G318-fixed CAN	✓*	✓*	
G318 WH-800	✓*	✓*	
G318 WH-1100			

### S70 Dedicated Coupler

Undercarriage	Front and Rear Outriggers						Front Outriggers; Rear blade (Wide U/C)	
Counterweight	3.7 mt			4.2 mt			3.7 mt	
Boom Type	1 PC		VA	1 PC		VA	1 PC	
Stick Length	2.50 m (8'2")	2.80 m (9'2")	2.50 m (8'2")	2.50 m (8'2")	2.80 m (9'2")	2.50 m (8'2")	2.50 m (8'2")	2.80 m (9'2")
G317 GC	✓	✓	✓	✓	✓	✓	✓	✓
G318	✓			✓			✓	
G318 WH-800	✓		✓	✓		✓	✓	

(continued on next page)

# Demolition & Sorting Grapples for Wheeled Excavators

## Matching – Wheeled Excavators (continued)

Match       \* Working range front only       No Match

### M320F, continued S70 Dedicated Coupler, continued

Undercarriage	Front Outriggers; Rear blade (Wide U/C)				Front Outriggers; Rear blade			
	3.7 mt	4.2 mt			3.7 mt	4.2 mt		
Counterweight	VA	1 PC		VA	1 PC	VA	1 PC	
Stick Length	2.50 m (8'2")	2.50 m (8'2")	2.80 m (9'2")	2.50 m (8'2")	2.50 m (8'2")	2.80 m (9'2")	2.50 m (8'2")	2.50 m (8'2")
G317 GC	✓	✓	✓	✓	✓	✓	✓	✓
G318		✓			✓			✓
G318 WH-800	✓	✓		✓	✓		✓	✓

### S70 Dedicated Coupler, continued

Undercarriage	Front Outriggers; Rear blade		Rear Blade (Wide U/C)		
	4.2 mt		4.2 mt		
Counterweight	1 PC	VA	1 PC	VA	
Stick Length	2.80 m (9'2")	2.50 m (8'2")	2.50 m (8'2")	2.80 m (9'2")	2.50 m (8'2")
G317 GC	✓	✓	✓	✓*	✓*
G318					
G318 WH-800		✓	✓*		✓*

### TRS18-CW-30s

Undercarriage	Front and Rear Outriggers					Front Outriggers; Rear blade (Wide U/C)		
	3.7 mt			4.2 mt		3.7 mt		
Counterweight	1 PC		VA	1 PC	VA	1 PC		
Stick Length	2.50 m (8'2")	2.80 m (9'2")	2.50 m (8'2")	2.50 m (8'2")	2.80 m (9'2")	2.50 m (8'2")	2.50 m (8'2")	2.80 m (9'2")
G217 GC	✓			✓			✓	
G217 GC-fixed CAN	✓	✓	✓	✓	✓	✓	✓	✓

### TRS18-CW-30s, continued

Undercarriage	Front Outriggers; Rear blade (Wide U/C)				Front Outriggers; Rear blade			
	3.7 mt	4.2 mt			3.7 mt	4.2 mt		
Counterweight	VA	1 PC		VA	1 PC	VA	1 PC	
Stick Length	2.50 m (8'2")	2.50 m (8'2")	2.80 m (9'2")	2.50 m (8'2")	2.50 m (8'2")	2.80 m (9'2")	2.50 m (8'2")	2.50 m (8'2")
G217 GC		✓			✓			✓
G217 GC-fixed CAN	✓	✓	✓	✓	✓	✓	✓	✓

### TRS18-CW-30s, continued

Undercarriage	Front Outriggers; Rear blade		Rear Blade (Wide U/C)		
	4.2 mt		4.2 mt		
Counterweight	1 PC	VA	1 PC	VA	
Stick Length	2.80 m (9'2")	2.50 m (8'2")	2.50 m (8'2")	2.80 m (9'2")	2.50 m (8'2")
G217 GC					
G217 GC-fixed CAN	✓	✓	✓*	✓*	✓*

### TRS18-CW-30

Undercarriage	Front and Rear Outriggers					Front Outriggers; Rear blade (Wide U/C)		
	3.7 mt			4.2 mt		3.7 mt		
Counterweight	1 PC		VA	1 PC	VA	1 PC		
Stick Length	2.50 m (8'2")	2.80 m (9'2")	2.50 m (8'2")	2.50 m (8'2")	2.80 m (9'2")	2.50 m (8'2")	2.50 m (8'2")	2.80 m (9'2")
G217 GC	✓			✓			✓	
G217 GC-fixed CAN	✓	✓	✓	✓	✓	✓	✓	✓

(continued on next page)

# Demolition & Sorting Grapples for Wheeled Excavators

## Matching – Wheeled Excavators (continued)

Match       \* Working range front only       No Match

### M320F, continued TRS18-CW-30, continued

Undercarriage	Front Outriggers; Rear blade (Wide U/C)				Front Outriggers; Rear blade			
Counterweight	3.7 mt		4.2 mt		3.7 mt		4.2 mt	
Boom Type	VA		1 PC		1 PC		VA	
Stick Length	2.50 m (8'2")		2.80 m (9'2")		2.50 m (8'2")		2.50 m (8'2")	
G217 GC		✓			✓			✓
G217 GC-fixed CAN	✓	✓	✓	✓	✓	✓	✓	✓

### TRS18-CW-30, continued

Undercarriage	Front Outriggers; Rear blade		Rear Blade (Wide U/C)	
Counterweight	4.2 mt		4.2 mt	
Boom Type	1 PC		VA	
Stick Length	2.80 m (9'2")		2.50 m (8'2")	
G217 GC				
G217 GC-fixed CAN	✓	✓	✓*	✓*

### TRS18-S70

Undercarriage	Front and Rear Outriggers				Front Outriggers; Rear blade (Wide U/C)		Front Outriggers; Rear blade	
Counterweight	3.7 mt		4.2 mt		3.7 mt		3.7 mt	
Boom Type	1 PC		VA		1 PC		VA	
Stick Length	2.50 m (8'2")		2.50 m (8'2")		2.50 m (8'2")		2.50 m (8'2")	
G217 GC	✓	✓	✓	✓	✓	✓	✓	✓

### TRS18-S70, continued

Undercarriage	Front Outriggers; Rear blade	
Counterweight	4.2 mt	
Boom Type	1 PC	
Stick Length	2.50 m (8'2")	
G217 GC	✓	✓

### M320 Pin-on

Undercarriage	Front Blade; Rear Outriggers							
Counterweight	3.6 mt				4.2 mt			
Boom Type	VA		1 PC		VA		1 PC	
Stick Length	2.50 m (8'2")		2.90 m (9'6")		2.50 m (8'2")		2.90 m (9'6")	
G317 GC	✓	✓	✓	✓	✓	✓	✓	✓
G318	✓	✓	✓	✓	✓	✓	✓	✓
G318 WH-800	✓	✓	✓	✓	✓	✓	✓	✓
G318 WH-1100	✓	✓	✓	✓	✓	✓	✓	✓

### Pin-on, continued

Undercarriage	Front Blade; Rear Outriggers		Front and Rear Outriggers					
Counterweight	4.8 mt		3.6 mt				4.2 mt	
Boom Type	1 PC		VA		1 PC		VA	
Stick Length	2.50 m (8'2")		2.90 m (9'6")		2.50 m (8'2")		2.90 m (9'6")	
G317 GC	✓	✓	✓	✓	✓	✓	✓	✓
G318	✓	✓	✓	✓	✓	✓	✓	✓
G318 WH-800	✓	✓	✓	✓	✓	✓	✓	✓
G318 WH-1100	✓	✓	✓	✓	✓	✓	✓	✓

(continued on next page)

# Demolition & Sorting Grapples for Wheeled Excavators

## Matching – Wheeled Excavators (continued)

Match       \* Working range front only       No Match

### M320, continued Pin-on, continued

Undercarriage	Front and Rear Outriggers				Front Outriggers; Rear Blade (Wide U/C)			
	4.2 mt		4.8 mt		3.6 mt			
Boom Type	1 PC		1 PC		VA		1 PC	
Stick Length	2.50 m (8'2")	2.90 m (9'6")	2.50 m (8'2")	2.90 m (9'6")	2.50 m (8'2")	2.90 m (9'6")	2.50 m (8'2")	2.90 m (9'6")
G317 GC	✓	✓	✓	✓	✓	✓	✓	✓
G318	✓	✓	✓	✓	✓	✓	✓	✓
G318 WH-800	✓	✓	✓	✓	✓	✓	✓	✓
G318 WH-1100	✓	✓	✓	✓	✓	✓	✓	✓

### Pin-on, continued

Undercarriage	Front Outriggers; Rear Blade (Wide U/C)						Front Outriggers; Rear (parallel) Blade	
	4.2 mt				4.8 mt		3.6 mt	
Boom Type	VA		1 PC		1 PC		VA	
Stick Length	2.50 m (8'2")	2.90 m (9'6")	2.50 m (8'2")	2.90 m (9'6")	2.50 m (8'2")	2.90 m (9'6")	2.50 m (8'2")	2.90 m (9'6")
G317 GC	✓	✓	✓	✓	✓	✓	✓	✓
G318	✓	✓	✓	✓	✓	✓	✓	✓
G318 WH-800	✓	✓	✓	✓	✓	✓	✓	✓
G318 WH-1100	✓	✓	✓	✓	✓	✓	✓	✓

### Pin-on, continued

Undercarriage	Front Outriggers; Rear (parallel) Blade							
	3.6 mt		4.2 mt				4.8 mt	
Boom Type	1 PC		VA		1 PC		1 PC	
Stick Length	2.50 m (8'2")	2.90 m (9'6")	2.50 m (8'2")	2.90 m (9'6")	2.50 m (8'2")	2.90 m (9'6")	2.50 m (8'2")	2.90 m (9'6")
G317 GC	✓	✓	✓	✓	✓	✓	✓	✓
G318	✓	✓	✓	✓	✓	✓	✓	✓
G318 WH-800	✓	✓	✓	✓	✓	✓	✓	✓
G318 WH-1100	✓	✓*	✓	✓	✓	✓	✓	✓

### Pin-on, continued

Undercarriage	Front Outriggers; Rear (radial) blade							
	3.6 mt				4.2 mt			
Boom Type	VA		1 PC		VA		1 PC	
Stick Length	2.50 m (8'2")	2.90 m (9'6")	2.50 m (8'2")	2.90 m (9'6")	2.50 m (8'2")	2.90 m (9'6")	2.50 m (8'2")	2.90 m (9'6")
G317 GC	✓	✓	✓	✓	✓	✓	✓	✓
G318	✓	✓	✓	✓	✓	✓	✓	✓
G318 WH-800	✓	✓	✓	✓	✓	✓	✓	✓
G318 WH-1100	✓	✓	✓	✓*	✓	✓	✓	✓

### Pin-on, continued

Undercarriage	Front Outriggers; Rear (radial) blade		Rear (parallel) Blade					Rear (radial) Blade
	4.8 mt		4.2 mt			4.8 mt		4.2 mt
Boom Type	1 PC		VA		1 PC	1 PC		VA
Stick Length	2.50 m (8'2")	2.90 m (9'6")	2.50 m (8'2")	2.90 m (9'6")	2.50 m (8'2")	2.50 m (8'2")	2.90 m (9'6")	2.50 m (8'2")
G317 GC	✓	✓	✓	✓*	✓*	✓	✓*	✓
G318	✓	✓					✓*	
G318 WH-800	✓	✓	✓*				✓*	✓*
G318 WH-1100	✓	✓						

(continued on next page)

# Demolition & Sorting Grapples for Wheeled Excavators

## Matching – Wheeled Excavators (continued)

Match       \* Working range front only       No Match

### M320, continued Pin-on, continued

Undercarriage	Rear (radial) Blade				Rear Blade (Wide U/C)			
	4.2 mt		4.8 mt		3.6 mt		4.2 mt	
Counterweight								
Boom Type	VA	1 PC	1 PC		VA		1 PC	VA
Stick Length	2.90 m (9'6")	2.50 m (8'2")	2.50 m (8'2")	2.90 m (9'6")	2.50 m (8'2")	2.90 m (9'6")	2.50 m (8'2")	2.50 m (8'2")
G317 GC	✓*	✓*	✓		✓	✓*	✓*	✓
G318			✓*					✓
G318 WH-800			✓*		✓*			✓
G318 WH-1100								

### Pin-on, continued

Undercarriage	Rear Blade (Wide U/C)				
	4.2 mt			4.8 mt	
Counterweight					
Boom Type	VA	1 PC		1 PC	
Stick Length	2.90 m (9'6")	2.50 m (8'2")	2.90 m (9'6")	2.50 m (8'2")	2.90 m (9'6")
G317 GC	✓	✓	✓*	✓	✓
G318	✓*	✓*		✓	✓*
G318 WH-800	✓*	✓*		✓	✓
G318 WH-1100				✓*	

### Pin Grabber Coupler

Undercarriage	Front Blade; Rear Outriggers							
	3.6 mt				4.2 mt			
Counterweight								
Boom Type	VA		1 PC		VA		1 PC	
Stick Length	2.50 m (8'2")	2.90 m (9'6")	2.50 m (8'2")	2.90 m (9'6")	2.50 m (8'2")	2.90 m (9'6")	2.50 m (8'2")	2.90 m (9'6")
G317 GC	✓	✓	✓	✓	✓	✓	✓	✓
G318	✓		✓		✓		✓	
G318 WH-800	✓		✓		✓		✓	

### Pin Grabber Coupler, continued

Undercarriage	Front Blade; Rear Outriggers		Front and Rear Outriggers					
	4.8 mt		3.6 mt				4.2 mt	
Counterweight								
Boom Type	1 PC		VA		1 PC		VA	
Stick Length	2.50 m (8'2")	2.90 m (9'6")	2.50 m (8'2")	2.90 m (9'6")	2.50 m (8'2")	2.90 m (9'6")	2.50 m (8'2")	2.90 m (9'6")
G317 GC	✓	✓	✓	✓	✓	✓	✓	✓
G318	✓		✓		✓		✓	
G318 WH-800	✓		✓		✓		✓	

### Pin Grabber Coupler, continued

Undercarriage	Front and Rear Outriggers				Front Outriggers; Rear Blade (Wide U/C)			
	4.2 mt		4.8 mt		3.6 mt			
Counterweight								
Boom Type	1 PC		1 PC		VA		1 PC	
Stick Length	2.50 m (8'2")	2.90 m (9'6")	2.50 m (8'2")	2.90 m (9'6")	2.50 m (8'2")	2.90 m (9'6")	2.50 m (8'2")	2.90 m (9'6")
G317 GC	✓	✓	✓	✓	✓	✓	✓	✓
G318	✓		✓		✓		✓	
G318 WH-800	✓		✓		✓		✓	

(continued on next page)



# Demolition & Sorting Grapples for Wheeled Excavators

## Matching – Wheeled Excavators (continued)

Match       \* Working range front only       No Match

### M320, continued Pin Grabber Coupler, continued

Undercarriage	Front Outriggers; Rear Blade (Wide U/C)						Front Outriggers; Rear (parallel) Blade	
Counterweight	4.2 mt				4.8 mt		3.6 mt	
Boom Type	VA		1 PC		1 PC	1 PC	VA	
Stick Length	2.50 m (8'2")	2.90 m (9'6")	2.50 m (8'2")	2.90 m (9'6")	2.50 m (8'2")	2.90 m (9'6")	2.50 m (8'2")	2.90 m (9'6")
G317 GC	✓	✓	✓	✓	✓	✓	✓	✓
G318	✓		✓		✓		✓	
G318 WH-800	✓		✓		✓		✓	

### Pin Grabber Coupler, continued

Undercarriage	Front Outriggers; Rear (parallel) Blade							
Counterweight	3.6 mt		4.2 mt				4.8 mt	
Boom Type	1 PC		VA		1 PC		1 PC	
Stick Length	2.50 m (8'2")	2.90 m (9'6")	2.50 m (8'2")	2.90 m (9'6")	2.50 m (8'2")	2.90 m (9'6")	2.50 m (8'2")	2.90 m (9'6")
G317 GC	✓	✓	✓	✓	✓	✓	✓	✓
G318	✓*		✓		✓		✓	
G318 WH-800	✓		✓		✓		✓	

### Pin Grabber Coupler, continued

Undercarriage	Front Outriggers; Rear (radial) blade							
Counterweight	3.6 mt				4.2 mt			
Boom Type	VA		1 PC		VA		1 PC	
Stick Length	2.50 m (8'2")	2.90 m (9'6")	2.50 m (8'2")	2.90 m (9'6")	2.50 m (8'2")	2.90 m (9'6")	2.50 m (8'2")	2.90 m (9'6")
G317 GC	✓	✓	✓	✓	✓	✓	✓	✓
G318	✓		✓*		✓		✓	
G318 WH-800	✓		✓		✓		✓	

### Pin Grabber Coupler, continued

Undercarriage	Front Outriggers; Rear (radial) blade		Rear Blade (Wide U/C)	
Counterweight	4.8 mt		4.2 mt	
Boom Type	1 PC		VA	1 PC
Stick Length	2.50 m (8'2")	2.90 m (9'6")	2.50 m (8'2")	2.50 m (8'2")
G317 GC	✓	✓	✓*	✓*
G318	✓			
G318 WH-800	✓			

### CW-40s Dedicated Coupler

Undercarriage	Front Blade; Rear Outriggers							
Counterweight	3.6 mt				4.2 mt			
Boom Type	VA		1 PC		VA		1 PC	
Stick Length	2.50 m (8'2")	2.90 m (9'6")	2.50 m (8'2")	2.90 m (9'6")	2.50 m (8'2")	2.90 m (9'6")	2.50 m (8'2")	2.90 m (9'6")
G317 GC	✓	✓	✓	✓	✓	✓	✓	✓
G318	✓	✓	✓	✓	✓	✓	✓	✓
G318 WH-800	✓	✓	✓	✓	✓	✓	✓	✓
G318 WH-1100	✓		✓		✓		✓	

(continued on next page)

# Demolition & Sorting Grapples for Wheeled Excavators

## Matching – Wheeled Excavators (continued)

Match       \* Working range front only       No Match

### M320, continued CW-40s Dedicated Coupler, continued

Undercarriage	Front Blade; Rear Outriggers		Front and Rear Outriggers					
Counterweight	4.8 mt		3.6 mt				4.2 mt	
Boom Type	1 PC		VA		1 PC		VA	
Stick Length	2.50 m (8'2")	2.90 m (9'6")	2.50 m (8'2")	2.90 m (9'6")	2.50 m (8'2")	2.90 m (9'6")	2.50 m (8'2")	2.90 m (9'6")
G317 GC	✓	✓	✓	✓	✓	✓	✓	✓
G318	✓	✓	✓	✓	✓	✓	✓	✓
G318 WH-800	✓	✓	✓	✓	✓	✓	✓	✓
G318 WH-1100	✓		✓		✓		✓	

### CW-40s Dedicated Coupler, continued

Undercarriage	Front and Rear Outriggers				Front Outriggers; Rear Blade (Wide U/C)			
Counterweight	4.2 mt		4.8 mt		3.6 mt			
Boom Type	1 PC		1 PC		VA		1 PC	
Stick Length	2.50 m (8'2")	2.90 m (9'6")	2.50 m (8'2")	2.90 m (9'6")	2.50 m (8'2")	2.90 m (9'6")	2.50 m (8'2")	2.90 m (9'6")
G317 GC	✓	✓	✓	✓	✓	✓	✓	✓
G318	✓	✓	✓	✓	✓	✓	✓	✓
G318 WH-800	✓	✓	✓	✓	✓	✓	✓	✓
G318 WH-1100	✓		✓		✓		✓	

### CW-40s Dedicated Coupler, continued

Undercarriage	Front Outriggers; Rear Blade (Wide U/C)						Front Outriggers; Rear (parallel) Blade	
Counterweight	4.2 mt				4.8 mt		3.6 mt	
Boom Type	VA		1 PC		1 PC		VA	
Stick Length	2.50 m (8'2")	2.90 m (9'6")	2.50 m (8'2")	2.90 m (9'6")	2.50 m (8'2")	2.90 m (9'6")	2.50 m (8'2")	2.90 m (9'6")
G317 GC	✓	✓	✓	✓	✓	✓	✓	✓
G318	✓	✓	✓	✓	✓	✓	✓	✓
G318 WH-800	✓	✓	✓	✓	✓	✓	✓	✓
G318 WH-1100	✓		✓		✓		✓	

### CW-40s Dedicated Coupler, continued

Undercarriage	Front Outriggers; Rear (parallel) Blade							
Counterweight	3.6 mt		4.2 mt				4.8 mt	
Boom Type	1 PC		VA		1 PC		1 PC	
Stick Length	2.50 m (8'2")	2.90 m (9'6")	2.50 m (8'2")	2.90 m (9'6")	2.50 m (8'2")	2.90 m (9'6")	2.50 m (8'2")	2.90 m (9'6")
G317 GC	✓	✓	✓	✓	✓	✓	✓	✓
G318	✓	✓	✓	✓	✓	✓	✓	✓
G318 WH-800	✓	✓	✓	✓	✓	✓	✓	✓
G318 WH-1100	✓		✓		✓		✓	

### CW-40s Dedicated Coupler, continued

Undercarriage	Front Outriggers; Rear (radial) blade							
Counterweight	3.6 mt				4.2 mt			
Boom Type	VA		1 PC		VA		1 PC	
Stick Length	2.50 m (8'2")	2.90 m (9'6")	2.50 m (8'2")	2.90 m (9'6")	2.50 m (8'2")	2.90 m (9'6")	2.50 m (8'2")	2.90 m (9'6")
G317 GC	✓	✓	✓	✓	✓	✓	✓	✓
G318	✓	✓	✓	✓	✓	✓	✓	✓
G318 WH-800	✓	✓	✓	✓	✓	✓	✓	✓
G318 WH-1100	✓		✓		✓		✓	

(continued on next page)

# Demolition & Sorting Grapples for Wheeled Excavators

## Matching – Wheeled Excavators (continued)

Match
  \* Working range front only
  No Match

### M320, continued

#### CW-40s Dedicated Coupler, continued

Undercarriage	Front Outriggers; Rear (radial) blade		Rear (parallel) Blade		Rear (radial) Blade		Rear Blade (Wide U/C)	
	4.8 mt		4.2 mt	4.8 mt	4.2 mt	4.8 mt	3.6 mt	4.2 mt
Counterweight	1 PC		VA	1 PC	VA	1 PC	VA	VA
Stick Length	2.50 m (8'2")	2.90 m (9'6")	2.50 m (8'2")	2.50 m (8'2")	2.50 m (8'2")	2.50 m (8'2")	2.50 m (8'2")	2.50 m (8'2")
G317 GC	✓	✓	✓*	✓*	✓*	✓*	✓*	✓
G318	✓	✓						✓*
G318 WH-800	✓	✓						✓
G318 WH-1100	✓							

#### CW-40s Dedicated Coupler, continued

Undercarriage	Rear Blade (Wide U/C)			
	4.2 mt		4.8 mt	
Counterweight	VA	1 PC	1 PC	
Stick Length	2.90 m (9'6")	2.50 m (8'2")	2.50 m (8'2")	2.90 m (9'6")
G317 GC	✓*	✓*	✓	✓
G318			✓*	
G318 WH-800			✓	✓*
G318 WH-1100				

#### CW-40 Dedicated Coupler

Undercarriage	Front Blade; Rear Outriggers							
	3.6 mt				4.2 mt			
Counterweight	VA		1 PC		VA		1 PC	
Stick Length	2.50 m (8'2")	2.90 m (9'6")	2.50 m (8'2")	2.90 m (9'6")	2.50 m (8'2")	2.90 m (9'6")	2.50 m (8'2")	2.90 m (9'6")
G317 GC	✓	✓	✓	✓	✓	✓	✓	✓
G317 GC-fixed CAN	✓	✓	✓	✓	✓	✓	✓	✓
G318	✓		✓	✓	✓		✓	✓
G318-fixed CAN	✓	✓	✓	✓	✓	✓	✓	✓
G318 WH-800	✓	✓	✓	✓	✓	✓	✓	✓
G318 WH-1100	✓		✓		✓		✓	

#### CW-40 Dedicated Coupler, continued

Undercarriage	Front Blade; Rear Outriggers		Front and Rear Outriggers					
	4.8 mt		3.6 mt				4.2 mt	
Counterweight	1 PC		VA		1 PC		VA	
Stick Length	2.50 m (8'2")	2.90 m (9'6")	2.50 m (8'2")	2.90 m (9'6")	2.50 m (8'2")	2.90 m (9'6")	2.50 m (8'2")	2.90 m (9'6")
G317 GC	✓	✓	✓	✓	✓	✓	✓	✓
G317 GC-fixed CAN	✓	✓	✓	✓	✓	✓	✓	✓
G318	✓	✓	✓		✓	✓	✓	
G318-fixed CAN	✓	✓	✓	✓	✓	✓	✓	✓
G318 WH-800	✓	✓	✓	✓	✓	✓	✓	✓
G318 WH-1100	✓		✓		✓		✓	

(continued on next page)

# Demolition & Sorting Grapples for Wheeled Excavators

## Matching – Wheeled Excavators (continued)

Match       \* Working range front only       No Match

### M320, continued CW-40 Dedicated Coupler, continued

Undercarriage	Front and Rear Outriggers				Front Outriggers; Rear Blade (Wide U/C)			
Counterweight	4.2 mt		4.8 mt		3.6 mt			
Boom Type	1 PC		1 PC		VA		1 PC	
Stick Length	2.50 m (8'2")	2.90 m (9'6")	2.50 m (8'2")	2.90 m (9'6")	2.50 m (8'2")	2.90 m (9'6")	2.50 m (8'2")	2.90 m (9'6")
G317 GC	✓	✓	✓	✓	✓	✓	✓	✓
G317 GC-fixed CAN	✓	✓	✓	✓	✓	✓	✓	✓
G318	✓	✓	✓	✓	✓	✓	✓	✓
G318-fixed CAN	✓	✓	✓	✓	✓	✓	✓	✓
G318 WH-800	✓	✓	✓	✓	✓	✓	✓	✓
G318 WH-1100	✓		✓		✓		✓	

### CW-40 Dedicated Coupler, continued

Undercarriage	Front Outriggers; Rear Blade (Wide U/C)						Front Outriggers; Rear (parallel) Blade	
Counterweight	4.2 mt				4.8 mt		3.6 mt	
Boom Type	VA		1 PC		1 PC		VA	
Stick Length	2.50 m (8'2")	2.90 m (9'6")	2.50 m (8'2")	2.90 m (9'6")	2.50 m (8'2")	2.90 m (9'6")	2.50 m (8'2")	2.90 m (9'6")
G317 GC	✓	✓	✓	✓	✓	✓	✓	✓
G317 GC-fixed CAN	✓	✓	✓	✓	✓	✓	✓	✓
G318	✓		✓	✓	✓	✓	✓	
G318-fixed CAN	✓	✓	✓	✓	✓	✓	✓	✓
G318 WH-800	✓	✓	✓	✓	✓	✓	✓	✓
G318 WH-1100	✓		✓		✓		✓	

### CW-40 Dedicated Coupler, continued

Undercarriage	Front Outriggers; Rear (parallel) Blade							
Counterweight	3.6 mt		4.2 mt				4.8 mt	
Boom Type	1 PC		VA		1 PC		1 PC	
Stick Length	2.50 m (8'2")	2.90 m (9'6")	2.50 m (8'2")	2.90 m (9'6")	2.50 m (8'2")	2.90 m (9'6")	2.50 m (8'2")	2.90 m (9'6")
G317 GC	✓	✓	✓	✓	✓	✓	✓	✓
G317 GC-fixed CAN	✓	✓	✓	✓	✓	✓	✓	✓
G318	✓	✓	✓		✓	✓	✓	✓
G318-fixed CAN	✓	✓	✓	✓	✓	✓	✓	✓
G318 WH-800	✓	✓	✓	✓	✓	✓	✓	✓
G318 WH-1100	✓*		✓		✓		✓	

### CW-40 Dedicated Coupler, continued

Undercarriage	Front Outriggers; Rear (radial) blade							
Counterweight	3.6 mt				4.2 mt			
Boom Type	VA		1 PC		VA		1 PC	
Stick Length	2.50 m (8'2")	2.90 m (9'6")	2.50 m (8'2")	2.90 m (9'6")	2.50 m (8'2")	2.90 m (9'6")	2.50 m (8'2")	2.90 m (9'6")
G317 GC	✓	✓	✓	✓	✓	✓	✓	✓
G317 GC-fixed CAN	✓	✓	✓	✓	✓	✓	✓	✓
G318	✓		✓	✓	✓		✓	✓
G318-fixed CAN	✓	✓	✓	✓	✓	✓	✓	✓
G318 WH-800	✓	✓	✓	✓	✓	✓	✓	✓
G318 WH-1100	✓		✓*		✓		✓	

(continued on next page)

# Demolition & Sorting Grapples for Wheeled Excavators

## Matching – Wheeled Excavators (continued)

Match
  \* Working range front only
  No Match

### M320, continued

#### CW-40 Dedicated Coupler, continued

Undercarriage	Front Outriggers; Rear (radial) blade		Rear (parallel) Blade		Rear (radial) Blade		Rear Blade (Wide U/C)	
Counterweight	4.8 mt		4.2 mt	4.8 mt	4.2 mt	4.8 mt	3.6 mt	4.2 mt
Boom Type	1 PC		VA	1 PC	VA	1 PC	VA	VA
Stick Length	2.50 m (8'2")	2.90 m (9'6")	2.50 m (8'2")	2.50 m (8'2")	2.50 m (8'2")	2.50 m (8'2")	2.50 m (8'2")	2.50 m (8'2")
G317 GC	✓	✓	✓*	✓*	✓*	✓*	✓*	✓
G317 GC-fixed CAN	✓	✓	✓*	✓	✓*	✓	✓*	✓
G318	✓	✓						✓*
G318-fixed CAN	✓	✓						✓*
G318 WH-800	✓	✓						✓*
G318 WH-1100	✓							

#### CW-40 Dedicated Coupler, continued

Undercarriage	Rear Blade (Wide U/C)			
Counterweight	4.2 mt		4.8 mt	
Boom Type	VA	1 PC	1 PC	
Stick Length	2.90 m (9'6")	2.50 m (8'2")	2.50 m (8'2")	2.90 m (9'6")
G317 GC	✓*	✓*	✓	✓*
G317 GC-fixed CAN	✓	✓	✓	✓
G318			✓*	
G318-fixed CAN			✓*	
G318 WH-800			✓	✓*
G318 WH-1100				

### S70 Dedicated Coupler

Undercarriage	Front Blade; Rear Outriggers							
Counterweight	3.6 mt				4.2 mt			
Boom Type	VA		1 PC		VA		1 PC	
Stick Length	2.50 m (8'2")	2.90 m (9'6")	2.50 m (8'2")	2.90 m (9'6")	2.50 m (8'2")	2.90 m (9'6")	2.50 m (8'2")	2.90 m (9'6")
G317 GC	✓	✓	✓	✓	✓	✓	✓	✓
G318	✓		✓	✓	✓		✓	✓
G318 WH-800	✓	✓	✓	✓	✓	✓	✓	✓
G318 WH-1100			✓*				✓	

### S70 Dedicated Coupler, continued

Undercarriage	Front and Rear Outriggers							
Counterweight	3.6 mt				4.2 mt			
Boom Type	VA		1 PC		VA		1 PC	
Stick Length	2.50 m (8'2")	2.90 m (9'6")	2.50 m (8'2")	2.90 m (9'6")	2.50 m (8'2")	2.90 m (9'6")	2.50 m (8'2")	2.90 m (9'6")
G317 GC	✓	✓	✓	✓	✓	✓	✓	✓
G318	✓		✓	✓	✓		✓	✓
G318 WH-800	✓	✓	✓	✓	✓	✓	✓	✓
G318 WH-1100			✓				✓	

(continued on next page)

# Demolition & Sorting Grapples for Wheeled Excavators

## Matching – Wheeled Excavators (continued)

Match
  \* Working range front only
  No Match

### M320, continued S70 Dedicated Coupler, continued

Undercarriage	Front Outriggers; Rear Blade (Wide U/C)							
Counterweight	3.6 mt				4.2 mt			
Boom Type	VA		1 PC		VA		1 PC	
Stick Length	2.50 m (8'2")	2.90 m (9'6")	2.50 m (8'2")	2.90 m (9'6")	2.50 m (8'2")	2.90 m (9'6")	2.50 m (8'2")	2.90 m (9'6")
G317 GC	✓	✓	✓	✓	✓	✓	✓	✓
G318	✓		✓	✓	✓		✓	✓
G318 WH-800	✓	✓	✓	✓	✓	✓	✓	✓
G318 WH-1100			✓				✓	

### S70 Dedicated Coupler, continued

Undercarriage	Front Outriggers; Rear (parallel) Blade							
Counterweight	3.6 mt				4.2 mt			
Boom Type	VA		1 PC		VA		1 PC	
Stick Length	2.50 m (8'2")	2.90 m (9'6")	2.50 m (8'2")	2.90 m (9'6")	2.50 m (8'2")	2.90 m (9'6")	2.50 m (8'2")	2.90 m (9'6")
G317 GC	✓	✓	✓	✓	✓	✓	✓	✓
G318	✓		✓	✓*	✓		✓	✓
G318 WH-800	✓	✓	✓	✓	✓	✓	✓	✓
G318 WH-1100			✓*				✓	

### S70 Dedicated Coupler, continued

Undercarriage	Front Outriggers; Rear (radial) blade							
Counterweight	3.6 mt				4.2 mt			
Boom Type	VA		1 PC		VA		1 PC	
Stick Length	2.50 m (8'2")	2.90 m (9'6")	2.50 m (8'2")	2.90 m (9'6")	2.50 m (8'2")	2.90 m (9'6")	2.50 m (8'2")	2.90 m (9'6")
G317 GC	✓	✓	✓	✓	✓	✓	✓	✓
G318	✓		✓	✓*	✓		✓	✓
G318 WH-800	✓	✓	✓	✓	✓	✓	✓	✓
G318 WH-1100			✓*				✓	

### S70 Dedicated Coupler, continued

Undercarriage	Rear Blade (Wide U/C)
Counterweight	4.2 mt
Boom Type	VA
Stick Length	2.50 m (8'2")
G317 GC	✓
G318	
G318 WH-800	✓*
G318 WH-1100	

### TRS18-CW-30s

Undercarriage	Front Blade; Rear Outriggers							
Counterweight	3.6 mt				4.2 mt			
Boom Type	VA		1 PC		VA		1 PC	
Stick Length	2.50 m (8'2")	2.90 m (9'6")	2.50 m (8'2")	2.90 m (9'6")	2.50 m (8'2")	2.90 m (9'6")	2.50 m (8'2")	2.90 m (9'6")
G217 GC	✓		✓	✓	✓		✓	✓
G217 GC-fixed CAN	✓	✓	✓	✓	✓	✓	✓	✓

(continued on next page)

# Demolition & Sorting Grapples for Wheeled Excavators

## Matching – Wheeled Excavators (continued)

Match
  \* Working range front only
  No Match

### M320, continued TRS18-CW-30s, continued

Undercarriage	Front and Rear Outriggers							
	3.6 mt				4.2 mt			
Counterweight	VA		1 PC		VA		1 PC	
Boom Type	2.50 m (8'2")	2.90 m (9'6")	2.50 m (8'2")	2.90 m (9'6")	2.50 m (8'2")	2.90 m (9'6")	2.50 m (8'2")	2.90 m (9'6")
Stick Length	2.50 m (8'2")	2.90 m (9'6")	2.50 m (8'2")	2.90 m (9'6")	2.50 m (8'2")	2.90 m (9'6")	2.50 m (8'2")	2.90 m (9'6")
G217 GC	✓		✓	✓	✓		✓	✓
G217 GC-fixed CAN	✓	✓	✓	✓	✓	✓	✓	✓

### TRS18-CW-30s, continued

Undercarriage	Front Outriggers; Rear Blade (Wide U/C)							
	3.6 mt				4.2 mt			
Counterweight	VA		1 PC		VA		1 PC	
Boom Type	2.50 m (8'2")	2.90 m (9'6")	2.50 m (8'2")	2.90 m (9'6")	2.50 m (8'2")	2.90 m (9'6")	2.50 m (8'2")	2.90 m (9'6")
Stick Length	2.50 m (8'2")	2.90 m (9'6")	2.50 m (8'2")	2.90 m (9'6")	2.50 m (8'2")	2.90 m (9'6")	2.50 m (8'2")	2.90 m (9'6")
G217 GC	✓		✓	✓	✓		✓	✓
G217 GC-fixed CAN	✓	✓	✓	✓	✓	✓	✓	✓

### TRS18-CW-30s, continued

Undercarriage	Front Outriggers; Rear (parallel) Blade							
	3.6 mt				4.2 mt			
Counterweight	VA		1 PC		VA		1 PC	
Boom Type	2.50 m (8'2")	2.90 m (9'6")	2.50 m (8'2")	2.90 m (9'6")	2.50 m (8'2")	2.90 m (9'6")	2.50 m (8'2")	2.90 m (9'6")
Stick Length	2.50 m (8'2")	2.90 m (9'6")	2.50 m (8'2")	2.90 m (9'6")	2.50 m (8'2")	2.90 m (9'6")	2.50 m (8'2")	2.90 m (9'6")
G217 GC	✓		✓	✓*	✓		✓	✓
G217 GC-fixed CAN	✓	✓	✓	✓	✓	✓	✓	✓

### TRS18-CW-30s, continued

Undercarriage	Front Outriggers; Rear (radial) blade							
	3.6 mt				4.2 mt			
Counterweight	VA		1 PC		VA		1 PC	
Boom Type	2.50 m (8'2")	2.90 m (9'6")	2.50 m (8'2")	2.90 m (9'6")	2.50 m (8'2")	2.90 m (9'6")	2.50 m (8'2")	2.90 m (9'6")
Stick Length	2.50 m (8'2")	2.90 m (9'6")	2.50 m (8'2")	2.90 m (9'6")	2.50 m (8'2")	2.90 m (9'6")	2.50 m (8'2")	2.90 m (9'6")
G217 GC	✓		✓	✓*	✓		✓	✓
G217 GC-fixed CAN	✓	✓	✓	✓	✓	✓	✓	✓

### TRS18-CW-30s, continued

Undercarriage	Rear Blade (Wide U/C)
Counterweight	4.2 mt
Boom Type	VA
Stick Length	2.50 m (8'2")
G217 GC	
G217 GC-fixed CAN	✓*

### TRS18-CW-30

Undercarriage	Front Blade; Rear Outriggers						Front and Rear Outriggers	
	3.6 mt			4.2 mt			3.6 mt	
Counterweight	VA		1 PC		VA		1 PC	
Boom Type	2.50 m (8'2")	2.90 m (9'6")	2.50 m (8'2")	2.90 m (9'6")	2.50 m (8'2")	2.90 m (9'6")	2.50 m (8'2")	2.50 m (8'2")
Stick Length	2.50 m (8'2")	2.90 m (9'6")	2.50 m (8'2")	2.90 m (9'6")	2.50 m (8'2")	2.90 m (9'6")	2.50 m (8'2")	2.50 m (8'2")
G217 GC	✓	✓	✓	✓	✓	✓	✓	✓
G217 GC-fixed CAN	✓	✓	✓	✓	✓	✓	✓	✓

(continued on next page)

# Demolition & Sorting Grapples for Wheeled Excavators

## Matching – Wheeled Excavators (continued)

Match       \* Working range front only       No Match

### M320, continued TRS18-CW-30, continued

Undercarriage	Front and Rear Outriggers				Front Outriggers; Rear Blade (Wide U/C)			
Counterweight	3.6 mt	4.2 mt			3.6 mt			4.2 mt
Boom Type	1 PC	VA	1 PC		VA	1 PC		VA
Stick Length	2.90 m (9'6")	2.50 m (8'2")	2.50 m (8'2")	2.90 m (9'6")	2.50 m (8'2")	2.50 m (8'2")	2.90 m (9'6")	2.50 m (8'2")
G217 GC		✓	✓		✓	✓		✓
G217 GC-fixed CAN	✓	✓	✓	✓	✓	✓	✓	✓

### TRS18-CW-30, continued

Undercarriage	Front Outriggers; Rear Blade (Wide U/C)		Front Outriggers; Rear (parallel) Blade					
Counterweight	4.2 mt		3.6 mt			4.2 mt		
Boom Type	1 PC		VA	1 PC		VA	1 PC	
Stick Length	2.50 m (8'2")	2.90 m (9'6")	2.50 m (8'2")	2.50 m (8'2")	2.90 m (9'6")	2.50 m (8'2")	2.50 m (8'2")	2.90 m (9'6")
G217 GC	✓		✓	✓		✓	✓	
G217 GC-fixed CAN	✓	✓	✓	✓	✓	✓	✓	✓

### TRS18-CW-30, continued

Undercarriage	Front Outriggers; Rear (radial) blade						Rear Blade (Wide U/C)
Counterweight	3.6 mt			4.2 mt			4.2 mt
Boom Type	VA	1 PC		VA	1 PC		VA
Stick Length	2.50 m (8'2")	2.50 m (8'2")	2.90 m (9'6")	2.50 m (8'2")	2.50 m (8'2")	2.90 m (9'6")	2.50 m (8'2")
G217 GC	✓	✓		✓	✓		
G217 GC-fixed CAN	✓	✓	✓	✓	✓	✓	✓*

### TRS18-S70

Undercarriage	Front Blade; Rear Outriggers						Front and Rear Outriggers	
Counterweight	3.6 mt			4.2 mt			3.6 mt	
Boom Type	VA	1 PC		VA	1 PC		VA	1 PC
Stick Length	2.50 m (8'2")	2.50 m (8'2")	2.90 m (9'6")	2.50 m (8'2")	2.50 m (8'2")	2.90 m (9'6")	2.50 m (8'2")	2.50 m (8'2")
G217 GC	✓	✓	✓	✓	✓	✓	✓	✓

### TRS18-S70, continued

Undercarriage	Front and Rear Outriggers				Front Outriggers; Rear Blade (Wide U/C)			
Counterweight	3.6 mt	4.2 mt			3.6 mt			4.2 mt
Boom Type	1 PC	VA	1 PC		VA	1 PC		VA
Stick Length	2.90 m (9'6")	2.50 m (8'2")	2.50 m (8'2")	2.90 m (9'6")	2.50 m (8'2")	2.50 m (8'2")	2.90 m (9'6")	2.50 m (8'2")
G217 GC	✓	✓	✓	✓	✓	✓	✓	✓

### TRS18-S70, continued

Undercarriage	Front Outriggers; Rear Blade (Wide U/C)		Front Outriggers; Rear (parallel) Blade					
Counterweight	4.2 mt		3.6 mt			4.2 mt		
Boom Type	1 PC		VA	1 PC		VA	1 PC	
Stick Length	2.50 m (8'2")	2.90 m (9'6")	2.50 m (8'2")	2.50 m (8'2")	2.90 m (9'6")	2.50 m (8'2")	2.50 m (8'2")	2.90 m (9'6")
G217 GC	✓	✓	✓	✓	✓*	✓	✓	✓

### TRS18-S70, continued

Undercarriage	Front Outriggers; Rear (radial) blade					
Counterweight	3.6 mt			4.2 mt		
Boom Type	VA	1 PC		VA	1 PC	
Stick Length	2.50 m (8'2")	2.50 m (8'2")	2.90 m (9'6")	2.50 m (8'2")	2.50 m (8'2")	2.90 m (9'6")
G217 GC	✓	✓	✓*	✓	✓	✓

(continued on next page)



# Demolition & Sorting Grapples for Wheeled Excavators

## Matching – Wheeled Excavators (continued)

Match
  \* Working range front only
  No Match

### M322D2 Pin-on

Undercarriage	Front and Rear Outriggers							
Counterweight	3.9 mt						4.4 mt	
Boom Type	1 PC			VA			1 PC	
Stick Length	2.20 m (7'3")	2.50 m (8'2")	2.90 m (9'6")	2.20 m (7'3")	2.50 m (8'2")	2.90 m (9'6")	2.20 m (7'3")	2.50 m (8'2")
G317 GC	✓	✓	✓	✓	✓	✓	✓	✓
G318	✓	✓		✓	✓		✓	✓
G318 WH-800	✓	✓	✓	✓	✓	✓	✓	✓
G318 WH-1100	✓	✓		✓	✓		✓	✓

### Pin-on, continued

Undercarriage	Front and Rear Outriggers							
Counterweight	4.4 mt				5.4 mt			
Boom Type	1 PC		VA		1 PC		VA	
Stick Length	2.90 m (9'6")	2.20 m (7'3")	2.50 m (8'2")	2.90 m (9'6")	2.20 m (7'3")	2.50 m (8'2")	2.90 m (9'6")	2.20 m (7'3")
G317 GC	✓	✓	✓	✓	✓	✓	✓	✓
G318		✓	✓		✓	✓		✓
G318 WH-800	✓	✓	✓	✓	✓	✓	✓	✓
G318 WH-1100		✓	✓		✓	✓		✓

### Pin-on, continued

Undercarriage	Front and Rear Outriggers			Front Outriggers; Rear blade				
Counterweight	5.4 mt			3.9 mt				
Boom Type	VA		1 PC		VA			
Stick Length	2.50 m (8'2")	2.90 m (9'6")	2.20 m (7'3")	2.50 m (8'2")	2.90 m (9'6")	2.20 m (7'3")	2.50 m (8'2")	2.90 m (9'6")
G317 GC	✓	✓	✓	✓	✓	✓	✓	✓
G318	✓		✓	✓		✓	✓	
G318 WH-800	✓	✓	✓	✓	✓	✓	✓	✓
G318 WH-1100	✓		✓	✓		✓	✓	

### Pin-on, continued

Undercarriage	Front Outriggers; Rear blade							
Counterweight	4.4 mt						5.4 mt	
Boom Type	1 PC			VA			1 PC	
Stick Length	2.20 m (7'3")	2.50 m (8'2")	2.90 m (9'6")	2.20 m (7'3")	2.50 m (8'2")	2.90 m (9'6")	2.20 m (7'3")	2.50 m (8'2")
G317 GC	✓	✓	✓	✓	✓	✓	✓	✓
G318	✓	✓		✓	✓		✓	✓
G318 WH-800	✓	✓	✓	✓	✓	✓	✓	✓
G318 WH-1100	✓	✓		✓	✓		✓	✓

### Pin-on, continued

Undercarriage	Front Outriggers; Rear blade					Rear Blade		
Counterweight	5.4 mt					3.9 mt		
Boom Type	1 PC		VA		1 PC		VA	
Stick Length	2.90 m (9'6")	2.20 m (7'3")	2.50 m (8'2")	2.90 m (9'6")	2.20 m (7'3")	2.50 m (8'2")	2.20 m (7'3")	2.50 m (8'2")
G317 GC	✓	✓	✓	✓	✓	✓*	✓	✓*
G318		✓	✓					
G318 WH-800	✓	✓	✓	✓	✓*		✓*	
G318 WH-1100		✓	✓					

(continued on next page)

# Demolition & Sorting Grapples for Wheeled Excavators

## Matching – Wheeled Excavators (continued)

Match       \* Working range front only       No Match

### M322D2, continued Pin-on, continued

Undercarriage	Rear Blade							
Counterweight	4.4 mt						5.4 mt	
Boom Type	1 PC			VA			1 PC	
Stick Length	2.20 m (7'3")	2.50 m (8'2")	2.90 m (9'6")	2.20 m (7'3")	2.50 m (8'2")	2.90 m (9'6")	2.20 m (7'3")	2.50 m (8'2")
G317 GC	✓	✓	✓*	✓	✓	✓*	✓	✓
G318	✓*	✓*		✓	✓*		✓	✓
G318 WH-800	✓	✓		✓	✓		✓	✓
G318 WH-1100							✓	✓

### Pin-on, continued

Undercarriage	Rear Blade			
Counterweight	5.4 mt			
Boom Type	1 PC	VA		
Stick Length	2.90 m (9'6")	2.20 m (7'3")	2.50 m (8'2")	2.90 m (9'6")
G317 GC	✓	✓	✓	✓
G318		✓	✓	
G318 WH-800	✓	✓	✓	✓
G318 WH-1100		✓	✓	

### Pin Grabber Coupler

Undercarriage	Front and Rear Outriggers							
Counterweight	3.9 mt				4.4 mt			
Boom Type	1 PC		VA		1 PC		VA	
Stick Length	2.20 m (7'3")	2.50 m (8'2")	2.20 m (7'3")	2.50 m (8'2")	2.20 m (7'3")	2.50 m (8'2")	2.20 m (7'3")	2.50 m (8'2")
G317 GC	✓	✓	✓	✓	✓	✓	✓	✓
G318	✓		✓		✓		✓	
G318 WH-800	✓	✓	✓		✓	✓	✓	

### Pin Grabber Coupler, continued

Undercarriage	Front and Rear Outriggers				Front Outriggers; Rear Blade			
Counterweight	5.4 mt				3.9 mt			
Boom Type	1 PC		VA		1 PC		VA	
Stick Length	2.20 m (7'3")	2.50 m (8'2")	2.20 m (7'3")	2.50 m (8'2")	2.20 m (7'3")	2.50 m (8'2")	2.20 m (7'3")	2.50 m (8'2")
G317 GC	✓	✓	✓	✓	✓	✓	✓	✓
G318	✓		✓		✓		✓	
G318 WH-800	✓	✓	✓		✓	✓	✓	

### Pin Grabber Coupler, continued

Undercarriage	Front Outriggers; Rear blade							
Counterweight	4.4 mt				5.4 mt			
Boom Type	1 PC		VA		1 PC		VA	
Stick Length	2.20 m (7'3")	2.50 m (8'2")	2.20 m (7'3")	2.50 m (8'2")	2.20 m (7'3")	2.50 m (8'2")	2.20 m (7'3")	2.50 m (8'2")
G317 GC	✓	✓	✓	✓	✓	✓	✓	✓
G318	✓		✓		✓		✓	
G318 WH-800	✓	✓	✓		✓	✓	✓	

(continued on next page)

# Demolition & Sorting Grapples for Wheeled Excavators

## Matching – Wheeled Excavators (continued)

Match       \* Working range front only       No Match

### M322D2, continued Pin Grabber Coupler, continued

Undercarriage	Rear Blade			
Counterweight	5.4 mt			
Boom Type	1 PC		VA	
Stick Length	2.20 m (7'3")	2.50 m (8'2")	2.20 m (7'3")	2.50 m (8'2")
G317 GC	✓	✓	✓	✓
G318	✓*		✓*	
G318 WH-800	✓	✓*	✓	

### CW-40s Dedicated Coupler

Undercarriage	Front and Rear Outriggers							
Counterweight	3.9 mt						4.4 mt	
Boom Type	1 PC			VA			1 PC	
Stick Length	2.20 m (7'3")	2.50 m (8'2")	2.90 m (9'6")	2.20 m (7'3")	2.50 m (8'2")	2.90 m (9'6")	2.20 m (7'3")	2.50 m (8'2")
G317 GC	✓	✓	✓	✓	✓	✓	✓	✓
G318	✓			✓			✓	
G318 WH-800	✓	✓		✓	✓		✓	✓
G318 WH-1100	✓			✓			✓	

### CW-40s Dedicated Coupler, continued

Undercarriage	Front and Rear Outriggers							
Counterweight	4.4 mt				5.4 mt			
Boom Type	1 PC		VA		1 PC		VA	
Stick Length	2.90 m (9'6")	2.20 m (7'3")	2.50 m (8'2")	2.90 m (9'6")	2.20 m (7'3")	2.50 m (8'2")	2.90 m (9'6")	2.20 m (7'3")
G317 GC	✓	✓	✓	✓	✓	✓	✓	✓
G318		✓			✓			✓
G318 WH-800		✓	✓		✓	✓		✓
G318 WH-1100		✓			✓			✓

### CW-40s Dedicated Coupler, continued

Undercarriage	Front and Rear Outriggers			Front Outriggers; Rear blade				
Counterweight	5.4 mt			3.9 mt				
Boom Type	VA		1 PC			VA		
Stick Length	2.50 m (8'2")	2.90 m (9'6")	2.20 m (7'3")	2.50 m (8'2")	2.90 m (9'6")	2.20 m (7'3")	2.50 m (8'2")	2.90 m (9'6")
G317 GC	✓	✓	✓	✓	✓	✓	✓	✓
G318			✓			✓		
G318 WH-800	✓		✓	✓		✓	✓	
G318 WH-1100			✓			✓		

### CW-40s Dedicated Coupler, continued

Undercarriage	Front Outriggers; Rear blade							
Counterweight	4.4 mt						5.4 mt	
Boom Type	1 PC			VA			1 PC	
Stick Length	2.20 m (7'3")	2.50 m (8'2")	2.90 m (9'6")	2.20 m (7'3")	2.50 m (8'2")	2.90 m (9'6")	2.20 m (7'3")	2.50 m (8'2")
G317 GC	✓	✓	✓	✓	✓	✓	✓	✓
G318	✓			✓			✓	
G318 WH-800	✓	✓		✓	✓		✓	✓
G318 WH-1100	✓			✓			✓	

(continued on next page)

# Demolition & Sorting Grapples for Wheeled Excavators

## Matching – Wheeled Excavators (continued)

Match       \* Working range front only       No Match

### M322D2, continued CW-40s Dedicated Coupler, continued

Undercarriage	Front Outriggers; Rear blade				Rear Blade			
	5.4 mt				3.9 mt		4.4 mt	
Counterweight								
Boom Type	1 PC	VA			1 PC	VA	1 PC	
Stick Length	2.90 m (9'6")	2.20 m (7'3")	2.50 m (8'2")	2.90 m (9'6")	2.20 m (7'3")	2.20 m (7'3")	2.20 m (7'3")	2.50 m (8'2")
G317 GC	✓	✓	✓	✓	✓*	✓*	✓	✓*
G318		✓						
G318 WH-800		✓	✓				✓*	
G318 WH-1100		✓						

### CW-40s Dedicated Coupler, continued

Undercarriage	Rear Blade							
	4.4 mt		5.4 mt					
Counterweight								
Boom Type	VA		1 PC		VA			
Stick Length	2.20 m (7'3")	2.50 m (8'2")	2.20 m (7'3")	2.50 m (8'2")	2.90 m (9'6")	2.20 m (7'3")	2.50 m (8'2")	2.90 m (9'6")
G317 GC	✓	✓	✓	✓	✓	✓	✓	✓
G318	✓*		✓			✓		
G318 WH-800	✓*	✓*	✓	✓		✓	✓	
G318 WH-1100			✓*			✓		

### CW-40 Dedicated Coupler

Undercarriage	Front and Rear Outriggers							
	3.9 mt				4.4 mt			
Counterweight								
Boom Type	1 PC		VA		1 PC		1 PC	
Stick Length	2.20 m (7'3")	2.50 m (8'2")	2.90 m (9'6")	2.20 m (7'3")	2.50 m (8'2")	2.90 m (9'6")	2.20 m (7'3")	2.50 m (8'2")
G317 GC	✓	✓	✓	✓	✓	✓	✓	✓
G317 GC-fixed CAN	✓	✓	✓	✓	✓	✓	✓	✓
G318	✓			✓			✓	
G318-fixed CAN	✓			✓			✓	
G318 WH-800	✓	✓		✓	✓		✓	✓
G318 WH-1100	✓			✓			✓	

### CW-40 Dedicated Coupler, continued

Undercarriage	Front and Rear Outriggers							
	4.4 mt				5.4 mt			
Counterweight								
Boom Type	1 PC	VA			1 PC		VA	
Stick Length	2.90 m (9'6")	2.20 m (7'3")	2.50 m (8'2")	2.90 m (9'6")	2.20 m (7'3")	2.50 m (8'2")	2.90 m (9'6")	2.20 m (7'3")
G317 GC	✓	✓	✓	✓	✓	✓	✓	✓
G317 GC-fixed CAN	✓	✓	✓	✓	✓	✓	✓	✓
G318		✓			✓			✓
G318-fixed CAN		✓			✓			✓
G318 WH-800		✓	✓		✓	✓		✓
G318 WH-1100		✓			✓			✓

(continued on next page)

# Demolition & Sorting Grapples for Wheeled Excavators

## Matching – Wheeled Excavators (continued)

Match       \* Working range front only       No Match

### M322D2, continued CW-40 Dedicated Coupler, continued

Undercarriage	Front and Rear Outriggers		Front Outriggers; Rear blade					
Counterweight	5.4 mt		3.9 mt					
Boom Type	VA		1 PC			VA		
Stick Length	2.50 m (8'2")	2.90 m (9'6")	2.20 m (7'3")	2.50 m (8'2")	2.90 m (9'6")	2.20 m (7'3")	2.50 m (8'2")	2.90 m (9'6")
G317 GC	✓	✓	✓	✓	✓	✓	✓	✓
G317 GC-fixed CAN	✓	✓	✓	✓	✓	✓	✓	✓
G318			✓			✓		
G318-fixed CAN			✓			✓		
G318 WH-800	✓		✓	✓		✓	✓	
G318 WH-1100			✓			✓		

### CW-40 Dedicated Coupler, continued

Undercarriage	Front Outriggers; Rear blade							
Counterweight	4.4 mt						5.4 mt	
Boom Type	1 PC			VA			1 PC	
Stick Length	2.20 m (7'3")	2.50 m (8'2")	2.90 m (9'6")	2.20 m (7'3")	2.50 m (8'2")	2.90 m (9'6")	2.20 m (7'3")	2.50 m (8'2")
G317 GC	✓	✓	✓	✓	✓	✓	✓	✓
G317 GC-fixed CAN	✓	✓	✓	✓	✓	✓	✓	✓
G318	✓			✓			✓	
G318-fixed CAN	✓			✓			✓	
G318 WH-800	✓	✓		✓	✓		✓	✓
G318 WH-1100	✓			✓			✓	

### CW-40 Dedicated Coupler, continued

Undercarriage	Front Outriggers; Rear blade				Rear Blade			
Counterweight	5.4 mt				3.9 mt		4.4 mt	
Boom Type	1 PC	VA		1 PC	VA	1 PC		
Stick Length	2.90 m (9'6")	2.20 m (7'3")	2.50 m (8'2")	2.90 m (9'6")	2.20 m (7'3")	2.20 m (7'3")	2.50 m (8'2")	
G317 GC	✓	✓	✓	✓		✓*	✓*	
G317 GC-fixed CAN	✓	✓	✓	✓	✓*	✓*	✓	
G318		✓						
G318-fixed CAN		✓					✓*	
G318 WH-800		✓	✓				✓*	
G318 WH-1100		✓						

### CW-40 Dedicated Coupler, continued

Undercarriage	Rear Blade							
Counterweight	4.4 mt			5.4 mt				
Boom Type	VA			1 PC			VA	
Stick Length	2.20 m (7'3")	2.50 m (8'2")	2.90 m (9'6")	2.20 m (7'3")	2.50 m (8'2")	2.90 m (9'6")	2.20 m (7'3")	2.50 m (8'2")
G317 GC	✓	✓*		✓	✓	✓	✓	✓
G317 GC-fixed CAN	✓	✓	✓*	✓	✓	✓	✓	✓
G318				✓			✓	
G318-fixed CAN	✓*			✓			✓	
G318 WH-800	✓*			✓	✓		✓	✓
G318 WH-1100				✓*			✓*	

(continued on next page)

# Demolition & Sorting Grapples for Wheeled Excavators

## Matching – Wheeled Excavators (continued)

Match       \* Working range front only       No Match

### M322D2, continued CW-40 Dedicated Coupler, continued

Undercarriage	Rear Blade
Counterweight	5.4 mt
Boom Type	VA
Stick Length	2.90 m (9'6")
G317 GC	✓
G317 GC-fixed CAN	✓
G318	
G318-fixed CAN	
G318 WH-800	
G318 WH-1100	

### M322F Pin-on

Undercarriage	Front and Rear Outriggers							
	3.5 mt				4.7 mt			
Counterweight	1 PC		VA		1 PC		VA	
Boom Type	2.50 m (8'2")	2.90 m (9'6")	2.50 m (8'2")	2.90 m (9'6")	2.50 m (8'2")	2.90 m (9'6")	2.50 m (8'2")	2.90 m (9'6")
Stick Length								
G317 GC	✓	✓	✓	✓	✓	✓	✓	✓
G318	✓	✓	✓		✓	✓	✓	
G318 WH-800	✓	✓	✓	✓	✓	✓	✓	✓
G318 WH-1100	✓		✓		✓		✓	

### Pin-on, continued

Undercarriage	Front Blade; Rear Outriggers							
	3.5 mt				4.7 mt			
Counterweight	1 PC		VA		1 PC		VA	
Boom Type	2.50 m (8'2")	2.90 m (9'6")	2.50 m (8'2")	2.90 m (9'6")	2.50 m (8'2")	2.90 m (9'6")	2.50 m (8'2")	2.90 m (9'6")
Stick Length								
G317 GC	✓	✓	✓	✓	✓	✓	✓	✓
G318	✓	✓	✓		✓	✓	✓	
G318 WH-800	✓	✓	✓	✓	✓	✓	✓	✓
G318 WH-1100	✓		✓		✓		✓	

### Pin-on, continued

Undercarriage	Front Outriggers; Rear blade							
	3.5 mt				4.7 mt			
Counterweight	1 PC		VA		1 PC		VA	
Boom Type	2.50 m (8'2")	2.90 m (9'6")	2.50 m (8'2")	2.90 m (9'6")	2.50 m (8'2")	2.90 m (9'6")	2.50 m (8'2")	2.90 m (9'6")
Stick Length								
G317 GC	✓	✓	✓	✓	✓	✓	✓	✓
G318	✓	✓	✓		✓	✓	✓	
G318 WH-800	✓	✓	✓	✓	✓	✓	✓	✓
G318 WH-1100	✓		✓		✓		✓	

(continued on next page)

# Demolition & Sorting Grapples for Wheeled Excavators

## Matching – Wheeled Excavators (continued)

Match       \* Working range front only       No Match

### M322F, continued Pin-on, continued

Undercarriage	Rear Blade						
	3.5 mt			4.7 mt			
Counterweight							
Boom Type	1 PC	VA		1 PC		VA	
Stick Length	2.50 m (8'2")	2.50 m (8'2")	2.90 m (9'6")	2.50 m (8'2")	2.90 m (9'6")	2.50 m (8'2")	2.90 m (9'6")
G317 GC	✓	✓	✓	✓	✓	✓	✓
G318				✓	✓	✓	
G318 WH-800	✓*	✓	✓	✓	✓	✓	✓
G318 WH-1100		✓		✓*		✓	

### Pin Grabber Coupler

Undercarriage	Front and Rear Outriggers				Front Blade; Rear Outriggers			
	3.5 mt		4.7 mt		3.5 mt		4.7 mt	
Counterweight								
Boom Type	1 PC	VA	1 PC	VA	1 PC	VA	1 PC	VA
Stick Length	2.50 m (8'2")	2.50 m (8'2")	2.50 m (8'2")	2.50 m (8'2")	2.50 m (8'2")	2.50 m (8'2")	2.50 m (8'2")	2.50 m (8'2")
G317 GC	✓	✓	✓	✓	✓	✓	✓	✓
G318	✓		✓		✓		✓	

### Pin Grabber Coupler, continued

Undercarriage	Front Outriggers; Rear blade				Rear Blade		
	3.5 mt		4.7 mt		3.5 mt	4.7 mt	
Counterweight							
Boom Type	1 PC	VA	1 PC	VA	VA	1 PC	VA
Stick Length	2.50 m (8'2")	2.50 m (8'2")	2.50 m (8'2")	2.50 m (8'2")	2.50 m (8'2")	2.50 m (8'2")	2.50 m (8'2")
G317 GC	✓	✓	✓	✓	✓	✓	✓
G318	✓		✓			✓*	

### CW-40s Dedicated Coupler

Undercarriage	Front and Rear Outriggers							
	3.5 mt				4.7 mt			
Counterweight								
Boom Type	1 PC		VA		1 PC		VA	
Stick Length	2.50 m (8'2")	2.90 m (9'6")	2.50 m (8'2")	2.90 m (9'6")	2.50 m (8'2")	2.90 m (9'6")	2.50 m (8'2")	2.90 m (9'6")
G317 GC	✓	✓	✓	✓	✓	✓	✓	✓
G318	✓		✓		✓		✓	
G318 WH-800	✓		✓		✓		✓	

### CW-40s Dedicated Coupler, continued

Undercarriage	Front Blade; Rear Outriggers							
	3.5 mt				4.7 mt			
Counterweight								
Boom Type	1 PC		VA		1 PC		VA	
Stick Length	2.50 m (8'2")	2.90 m (9'6")	2.50 m (8'2")	2.90 m (9'6")	2.50 m (8'2")	2.90 m (9'6")	2.50 m (8'2")	2.90 m (9'6")
G317 GC	✓	✓	✓	✓	✓	✓	✓	✓
G318	✓		✓		✓		✓	
G318 WH-800	✓		✓		✓		✓	

(continued on next page)

# Demolition & Sorting Grapples for Wheeled Excavators

## Matching – Wheeled Excavators (continued)

Match       \* Working range front only       No Match

### M322F, continued CW-40s Dedicated Coupler, continued

Undercarriage	Front Outriggers; Rear blade							
Counterweight	3.5 mt				4.7 mt			
Boom Type	1 PC		VA		1 PC		VA	
Stick Length	2.50 m (8'2")	2.90 m (9'6")	2.50 m (8'2")	2.90 m (9'6")	2.50 m (8'2")	2.90 m (9'6")	2.50 m (8'2")	2.90 m (9'6")
G317 GC	✓	✓	✓	✓	✓	✓	✓	✓
G318	✓		✓		✓		✓	
G318 WH-800	✓		✓		✓		✓	

### CW-40s Dedicated Coupler, continued

Undercarriage	Rear Blade					
Counterweight	3.5 mt			4.7 mt		
Boom Type	VA		1 PC		VA	
Stick Length	2.50 m (8'2")	2.90 m (9'6")	2.50 m (8'2")	2.90 m (9'6")	2.50 m (8'2")	2.90 m (9'6")
G317 GC	✓	✓	✓	✓	✓	✓
G318			✓		✓	
G318 WH-800	✓		✓		✓	

### CW-40 Dedicated Coupler

Undercarriage	Front and Rear Outriggers							
Counterweight	3.5 mt				4.7 mt			
Boom Type	1 PC		VA		1 PC		VA	
Stick Length	2.50 m (8'2")	2.90 m (9'6")	2.50 m (8'2")	2.90 m (9'6")	2.50 m (8'2")	2.90 m (9'6")	2.50 m (8'2")	2.90 m (9'6")
G317 GC	✓	✓	✓		✓	✓	✓	
G317 GC-fixed CAN	✓	✓	✓	✓	✓	✓	✓	✓
G318	✓		✓		✓		✓	
G318-fixed CAN	✓		✓		✓		✓	
G318 WH-800	✓		✓		✓		✓	

### CW-40 Dedicated Coupler, continued

Undercarriage	Front Blade; Rear Outriggers							
Counterweight	3.5 mt				4.7 mt			
Boom Type	1 PC		VA		1 PC		VA	
Stick Length	2.50 m (8'2")	2.90 m (9'6")	2.50 m (8'2")	2.90 m (9'6")	2.50 m (8'2")	2.90 m (9'6")	2.50 m (8'2")	2.90 m (9'6")
G317 GC	✓	✓	✓		✓	✓	✓	
G317 GC-fixed CAN	✓	✓	✓	✓	✓	✓	✓	✓
G318	✓		✓		✓		✓	
G318-fixed CAN	✓		✓		✓		✓	
G318 WH-800	✓		✓		✓		✓	

### CW-40 Dedicated Coupler, continued

Undercarriage	Front Outriggers; Rear blade							
Counterweight	3.5 mt				4.7 mt			
Boom Type	1 PC		VA		1 PC		VA	
Stick Length	2.50 m (8'2")	2.90 m (9'6")	2.50 m (8'2")	2.90 m (9'6")	2.50 m (8'2")	2.90 m (9'6")	2.50 m (8'2")	2.90 m (9'6")
G317 GC	✓	✓	✓		✓	✓	✓	
G317 GC-fixed CAN	✓	✓	✓	✓	✓	✓	✓	✓
G318	✓		✓		✓		✓	
G318-fixed CAN	✓		✓		✓		✓	
G318 WH-800	✓		✓		✓		✓	

(continued on next page)



# Demolition & Sorting Grapples for Wheeled Excavators

## Matching – Wheeled Excavators (continued)

Match       \* Working range front only       No Match

### M322F, continued CW-40 Dedicated Coupler, continued

Undercarriage	Rear Blade						
Counterweight	3.5 mt			4.7 mt			
Boom Type	1 PC	VA		1 PC		VA	
Stick Length	2.50 m (8'2")	2.50 m (8'2")	2.90 m (9'6")	2.50 m (8'2")	2.90 m (9'6")	2.50 m (8'2")	2.90 m (9'6")
G317 GC		✓		✓	✓	✓	
G317 GC-fixed CAN	✓*	✓	✓	✓	✓	✓	✓
G318				✓		✓	
G318-fixed CAN				✓		✓	
G318 WH-800		✓		✓		✓	

### S70 Dedicated Coupler

Undercarriage	Front and Rear Outriggers				Front Blade; Rear Outriggers			
Counterweight	3.5 mt		4.7 mt		3.5 mt		4.7 mt	
Boom Type	1 PC	VA	1 PC	VA	1 PC	VA	1 PC	VA
Stick Length	2.50 m (8'2")	2.50 m (8'2")	2.50 m (8'2")	2.50 m (8'2")	2.50 m (8'2")	2.50 m (8'2")	2.50 m (8'2")	2.50 m (8'2")
G317 GC	✓	✓	✓	✓	✓	✓	✓	✓
G318	✓		✓		✓		✓	
G318 WH-800	✓	✓	✓	✓	✓	✓	✓	✓

### S70 Dedicated Coupler, continued

Undercarriage	Front Outriggers; Rear blade				Rear Blade	
Counterweight	3.5 mt		4.7 mt		4.7 mt	
Boom Type	1 PC	VA	1 PC	VA	1 PC	VA
Stick Length	2.50 m (8'2")	2.50 m (8'2")	2.50 m (8'2")	2.50 m (8'2")	2.50 m (8'2")	2.50 m (8'2")
G317 GC	✓	✓	✓	✓	✓	✓
G318	✓		✓		✓*	
G318 WH-800	✓	✓	✓	✓	✓	✓*

### TRS18-CW-30s

Undercarriage	Front and Rear Outriggers				Front Blade; Rear Outriggers			
Counterweight	3.5 mt		4.7 mt		3.5 mt		4.7 mt	
Boom Type	1 PC	VA	1 PC	VA	1 PC	VA	1 PC	VA
Stick Length	2.50 m (8'2")	2.50 m (8'2")	2.50 m (8'2")	2.50 m (8'2")	2.50 m (8'2")	2.50 m (8'2")	2.50 m (8'2")	2.50 m (8'2")
G217 GC	✓	✓	✓	✓	✓	✓	✓	✓

### TRS18-CW-30s, continued

Undercarriage	Front Outriggers; Rear blade				Rear Blade	
Counterweight	3.5 mt		4.7 mt		4.7 mt	
Boom Type	1 PC	VA	1 PC	VA	1 PC	VA
Stick Length	2.50 m (8'2")	2.50 m (8'2")	2.50 m (8'2")	2.50 m (8'2")	2.50 m (8'2")	2.50 m (8'2")
G217 GC	✓	✓	✓	✓	✓	✓

### TRS18-CW-30

Undercarriage	Front and Rear Outriggers				Front Blade; Rear Outriggers			
Counterweight	3.5 mt		4.7 mt		3.5 mt		4.7 mt	
Boom Type	1 PC	VA	1 PC	VA	1 PC	VA	1 PC	VA
Stick Length	2.50 m (8'2")	2.50 m (8'2")	2.50 m (8'2")	2.50 m (8'2")	2.50 m (8'2")	2.50 m (8'2")	2.50 m (8'2")	2.50 m (8'2")
G217 GC-fixed CAN	✓	✓	✓	✓	✓	✓	✓	✓

(continued on next page)

# Demolition & Sorting Grapples for Wheeled Excavators

## Matching – Wheeled Excavators (continued)

Match       \* Working range front only       No Match

### M322F, continued TRS18-CW-30, continued

Undercarriage	Front Outriggers; Rear blade				Rear Blade	
	3.5 mt		4.7 mt		4.7 mt	
Counterweight						
Boom Type	1 PC	VA	1 PC	VA	1 PC	VA
Stick Length	2.50 m (8'2")	2.50 m (8'2")	2.50 m (8'2")	2.50 m (8'2")	2.50 m (8'2")	2.50 m (8'2")
G217 GC-fixed CAN	✓	✓	✓	✓	✓	✓

### TRS18-S70

Undercarriage	Front and Rear Outriggers		Front Blade; Rear Outriggers		Front Outriggers; Rear blade		Rear Blade
	3.5 mt	4.7 mt	3.5 mt	4.7 mt	3.5 mt	4.7 mt	4.7 mt
Counterweight							
Boom Type	1 PC	1 PC	1 PC	1 PC	1 PC	1 PC	1 PC
Stick Length	2.50 m (8'2")	2.50 m (8'2")	2.50 m (8'2")	2.50 m (8'2")	2.50 m (8'2")	2.50 m (8'2")	2.50 m (8'2")
G217 GC	✓	✓	✓	✓	✓	✓	✓*

### M322 Pin-on

Undercarriage	Front and Rear Outriggers				Front Blade; Rear Outriggers			
	3.5 mt		4.7 mt		3.5 mt		4.7 mt	
Counterweight								
Boom Type	VA		VA		VA		VA	
Stick Length	2.50 m (8'2")	2.90 m (9'6")	2.50 m (8'2")	2.90 m (9'6")	2.50 m (8'2")	2.90 m (9'6")	2.50 m (8'2")	2.90 m (9'6")
G317 GC	✓	✓	✓	✓	✓	✓	✓	✓
G318	✓		✓		✓		✓	
G318 WH	✓	✓	✓	✓	✓	✓	✓	✓

### Pin-on, continued

Undercarriage	Front Outriggers; Rear Blade				Rear Blade		
	3.5 mt		4.7 mt		3.5 mt	4.7 mt	
Counterweight							
Boom Type	VA		VA		VA	VA	
Stick Length	2.50 m (8'2")	2.90 m (9'6")	2.50 m (8'2")	2.90 m (9'6")	2.50 m (8'2")	2.50 m (8'2")	2.90 m (9'6")
G317 GC	✓	✓	✓	✓	✓	✓	✓
G318	✓		✓			✓	
G318 WH	✓	✓	✓	✓	✓*	✓	✓

### Cat Pin Grabber Coupler

Undercarriage	Front and Rear Outriggers		Front Blade; Rear Outriggers		Front Outriggers; Rear Blade		Rear Blade
	3.5 mt	4.7 mt	3.5 mt	4.7 mt	3.5 mt	4.7 mt	4.7 mt
Counterweight							
Boom Type	VA	VA	VA	VA	VA	VA	VA
Stick Length	2.50 m (8'2")	2.50 m (8'2")	2.50 m (8'2")	2.50 m (8'2")	2.50 m (8'2")	2.50 m (8'2")	2.50 m (8'2")
G317 GC	✓	✓	✓	✓	✓	✓	✓

(continued on next page)

# Demolition & Sorting Grapples for Wheeled Excavators

## Matching – Wheeled Excavators (continued)

Match       \* Working range front only       No Match

### M322, continued CW-40s Dedicated Coupler

Undercarriage	Front and Rear Outriggers				Front Blade; Rear Outriggers			
	3.5 mt		4.7 mt		3.5 mt		4.7 mt	
Boom Type	VA		VA		VA		VA	
Stick Length	2.50 m (8'2")	2.90 m (9'6")	2.50 m (8'2")	2.90 m (9'6")	2.50 m (8'2")	2.90 m (9'6")	2.50 m (8'2")	2.90 m (9'6")
G317 GC	✓	✓	✓	✓	✓	✓	✓	✓
G318	✓		✓		✓		✓	
G318 WH	✓		✓		✓		✓	

### CW-40s Dedicated Coupler, continued

Undercarriage	Front Outriggers; Rear Blade				Rear Blade		
	3.5 mt		4.7 mt		3.5 mt	4.7 mt	
Boom Type	VA		VA		VA	VA	
Stick Length	2.50 m (8'2")	2.90 m (9'6")	2.50 m (8'2")	2.90 m (9'6")	2.50 m (8'2")	2.50 m (8'2")	2.90 m (9'6")
G317 GC	✓	✓	✓	✓	✓*	✓	✓
G318	✓		✓			✓	
G318 WH	✓		✓			✓	

### CW-40 Dedicated Coupler

Undercarriage	Front and Rear Outriggers				Front Blade; Rear Outriggers			
	3.5 mt		4.7 mt		3.5 mt		4.7 mt	
Boom Type	VA		VA		VA		VA	
Stick Length	2.50 m (8'2")	2.90 m (9'6")	2.50 m (8'2")	2.90 m (9'6")	2.50 m (8'2")	2.90 m (9'6")	2.50 m (8'2")	2.90 m (9'6")
G317 GC	✓		✓		✓		✓	
G317 GC-fixed CAN	✓	✓	✓	✓	✓	✓	✓	✓
G318	✓		✓		✓		✓	
G318-fixed CAN	✓		✓		✓		✓	
G318 WH	✓		✓		✓		✓	

### CW-40 Dedicated Coupler, continued

Undercarriage	Front Outriggers; Rear Blade				Rear Blade		
	3.5 mt		4.7 mt		3.5 mt	4.7 mt	
Boom Type	VA		VA		VA	VA	
Stick Length	2.50 m (8'2")	2.90 m (9'6")	2.50 m (8'2")	2.90 m (9'6")	2.50 m (8'2")	2.50 m (8'2")	2.90 m (9'6")
G317 GC	✓		✓			✓	
G317 GC-fixed CAN	✓	✓	✓	✓	✓*	✓	✓
G318	✓		✓			✓	
G318-fixed CAN	✓		✓			✓	
G318 WH	✓		✓			✓	

(continued on next page)

# Demolition & Sorting Grapples for Wheeled Excavators

## Matching – Wheeled Excavators (continued)

Match       \* Working range front only       No Match

### M322, continued S70 Dedicated Coupler

Undercarriage	Front and Rear Outriggers		Front Blade; Rear Outriggers		Front Outriggers; Rear Blade		Rear Blade
	3.5 mt	4.7 mt	3.5 mt	4.7 mt	3.5 mt	4.7 mt	4.7 mt
Counterweight	3.5 mt	4.7 mt	3.5 mt	4.7 mt	3.5 mt	4.7 mt	4.7 mt
Boom Type	VA	VA	VA	VA	VA	VA	VA
Stick Length	2.50 m (8'2")	2.50 m (8'2")	2.50 m (8'2")	2.50 m (8'2")	2.50 m (8'2")	2.50 m (8'2")	2.50 m (8'2")
G317 GC	✓	✓	✓	✓	✓	✓	✓
G318 WH	✓	✓	✓	✓	✓	✓	✓

### HCS70 Dedicated Coupler

Undercarriage	Front and Rear Outriggers		Front Blade; Rear Outriggers		Front Outriggers; Rear Blade		Rear Blade
	3.5 mt	4.7 mt	3.5 mt	4.7 mt	3.5 mt	4.7 mt	4.7 mt
Counterweight	3.5 mt	4.7 mt	3.5 mt	4.7 mt	3.5 mt	4.7 mt	4.7 mt
Boom Type	VA	VA	VA	VA	VA	VA	VA
Stick Length	2.50 m (8'2")	2.50 m (8'2")	2.50 m (8'2")	2.50 m (8'2")	2.50 m (8'2")	2.50 m (8'2")	2.50 m (8'2")
G317 GC	✓	✓	✓	✓	✓	✓	✓

### TRS18 (Pin-on top/CW-30s bottom)

Undercarriage	Front and Rear Outriggers		Front Blade; Rear Outriggers		Front Outriggers; Rear Blade		Rear Blade
	3.5 mt	4.7 mt	3.5 mt	4.7 mt	3.5 mt	4.7 mt	4.7 mt
Counterweight	3.5 mt	4.7 mt	3.5 mt	4.7 mt	3.5 mt	4.7 mt	4.7 mt
Boom Type	VA	VA	VA	VA	VA	VA	VA
Stick Length	2.50 m (8'2")	2.50 m (8'2")	2.50 m (8'2")	2.50 m (8'2")	2.50 m (8'2")	2.50 m (8'2")	2.50 m (8'2")
G217 GC-fixed CAN	✓	✓	✓	✓	✓	✓	✓

### TRS18 (Pin-on top/CW-30 bottom)

Undercarriage	Front and Rear Outriggers		Front Blade; Rear Outriggers		Front Outriggers; Rear Blade		Rear Blade
	3.5 mt	4.7 mt	3.5 mt	4.7 mt	3.5 mt	4.7 mt	4.7 mt
Counterweight	3.5 mt	4.7 mt	3.5 mt	4.7 mt	3.5 mt	4.7 mt	4.7 mt
Boom Type	VA	VA	VA	VA	VA	VA	VA
Stick Length	2.50 m (8'2")	2.50 m (8'2")	2.50 m (8'2")	2.50 m (8'2")	2.50 m (8'2")	2.50 m (8'2")	2.50 m (8'2")
G217 GC-fixed CAN	✓	✓	✓	✓	✓	✓	✓

# Demolition & Sorting Grapples for Wheeled Excavators

For more complete information on Cat products, dealer services, and industry solutions, visit us on the web at [www.cat.com](http://www.cat.com).

© 2022 Caterpillar  
All rights reserved

Materials and specifications are subject to change without notice. Featured machines in photos may include additional equipment. See your Cat dealer for available options.

CAT, CATERPILLAR, LET'S DO THE WORK, their respective logos, "Caterpillar Corporate Yellow", the "Power Edge" and Cat "Modern Hex" trade dress as well as corporate and product identity used herein, are trademarks of Caterpillar and may not be used without permission.

GEJQ9394-01 (05-2022)  
Replaces GEJQ9394-00  
(AME, ANZ, CIS, EU,  
N Am, Pacific, S Am, Turkey)

